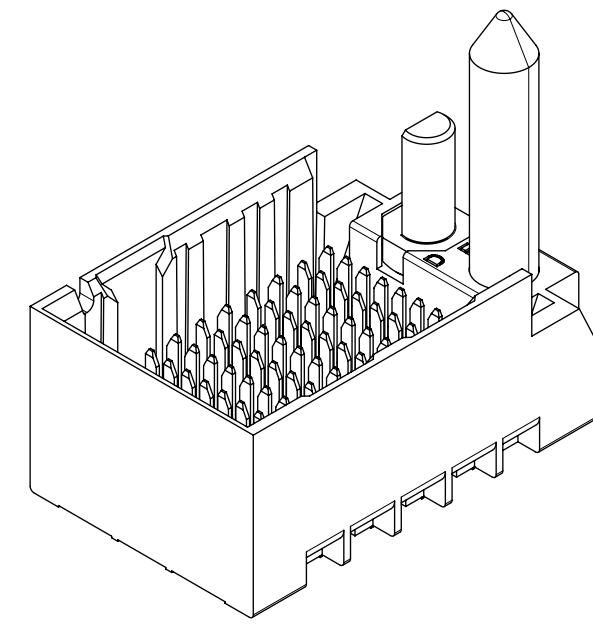
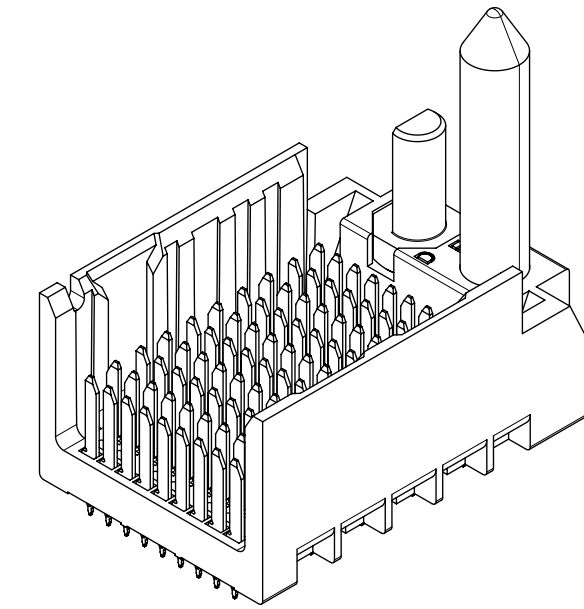


PART NUMBER CHART

MATERIAL NUMBER	# OF COLUMNS	# OF DIFF PAIR	DIM "A"	DIM "B"	GUIDE RIGHT END WALL OPTION
170525-98**	8	24	23.1	13.30	
170525-91**	10	30	26.9	17.10	
170525-92**	12	36	30.7	20.90	
170525-96**	16	48	38.3	28.50	



MATERIAL NUMBER	# OF COLUMNS	# OF DIFF PAIR	DIM "A"	DIM "B"	GUIDE RIGHT OPEN WALL OPTION
170525-58**	8	24	21.7	13.30	
170525-51**	10	30	25.5	17.10	
170525-52**	12	36	29.3	20.90	
170525-56**	16	48	36.9	28.50	



PART NUMBER LOGIC

170525- * * * *

MODULE TYPE

- 5 = GUIDE RIGHT, MATTE TIN
- 9 = GUIDE RIGHT END WALL, MATTE TIN

OF COLUMNS

- 1 = 10 COL
- 2 = 12 COL
- 6 = 16 COL
- 8 = 8 COL

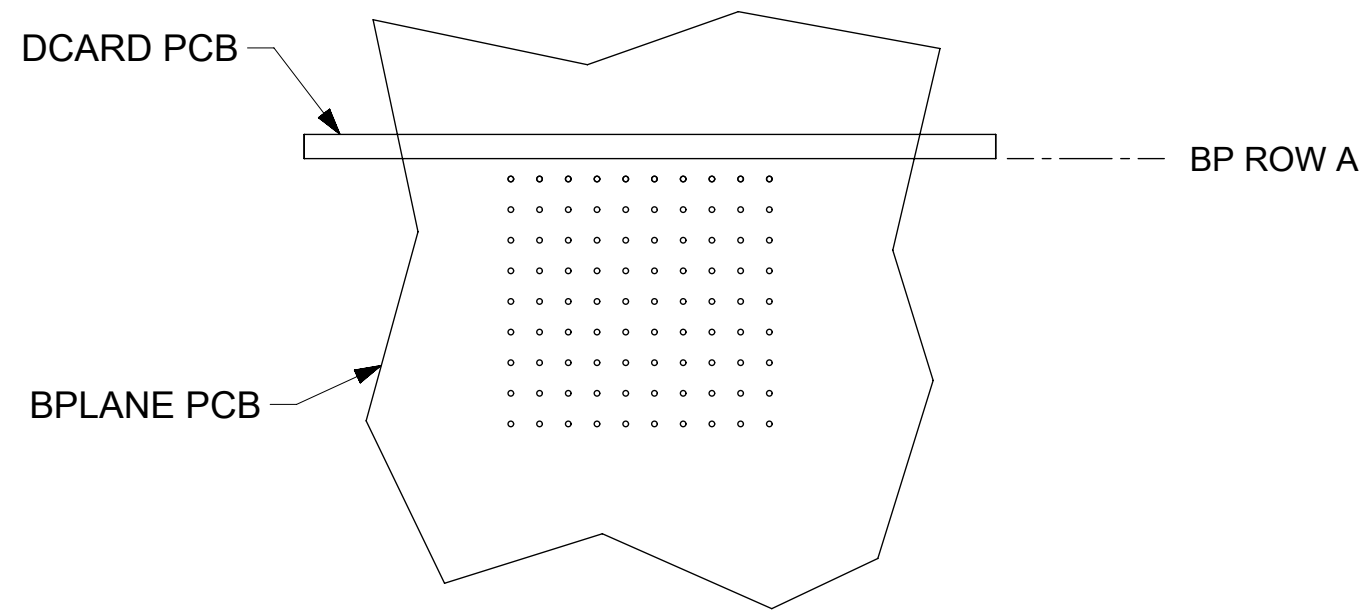
PIN LENGTH (P)

- 3 = 4.50 (SHORT COMPLIANT, 0.46±0.05 PTH)
- 4 = 4.90 (SHORT COMPLIANT, 0.46±0.05 PTH)
- 5 = 5.50 (SHORT COMPLIANT, 0.46±0.05 PTH)
- 6 = 4.50 (MICRO COMPLIANT, 0.39±0.05 PTH)
- 7 = 4.90 (MICRO COMPLIANT, 0.39±0.05 PTH)
- 8 = 5.50 (MICRO COMPLIANT, 0.39±0.05 PTH)

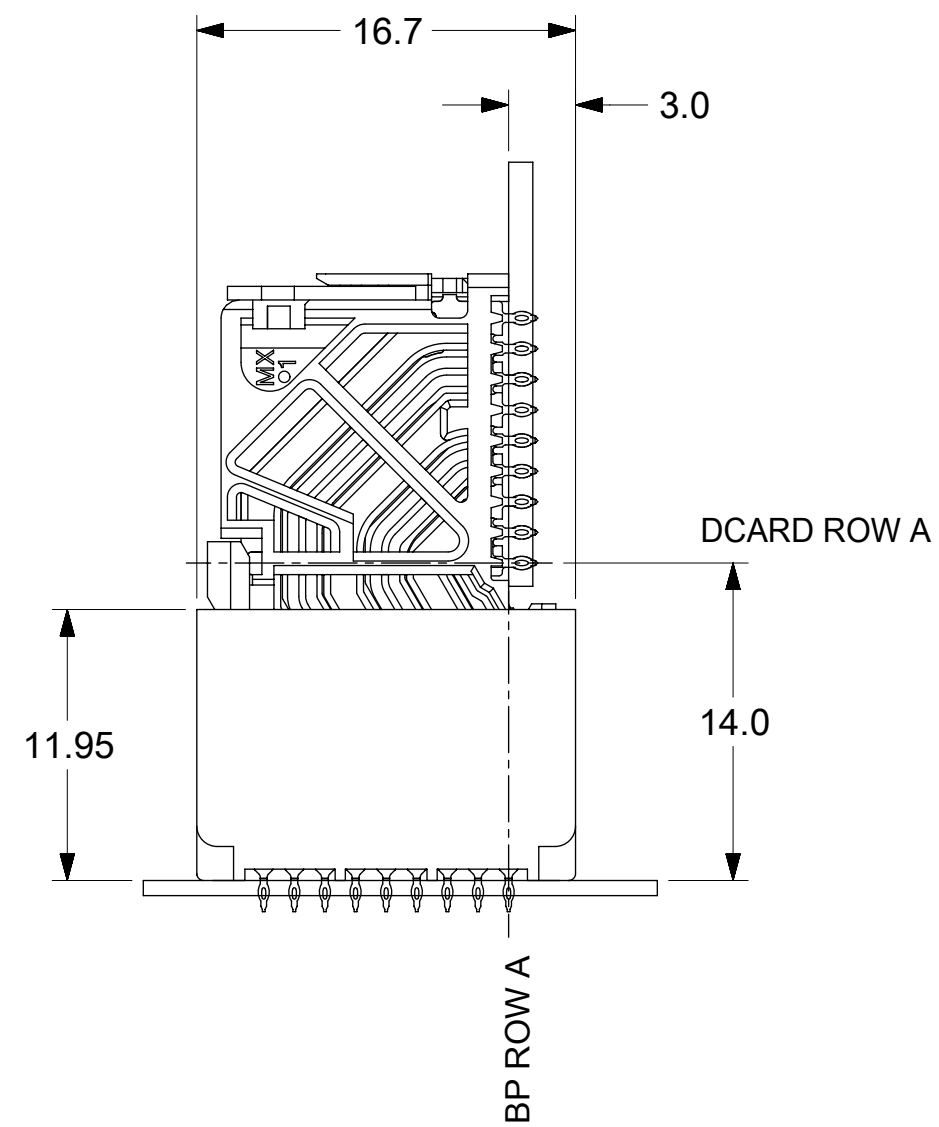
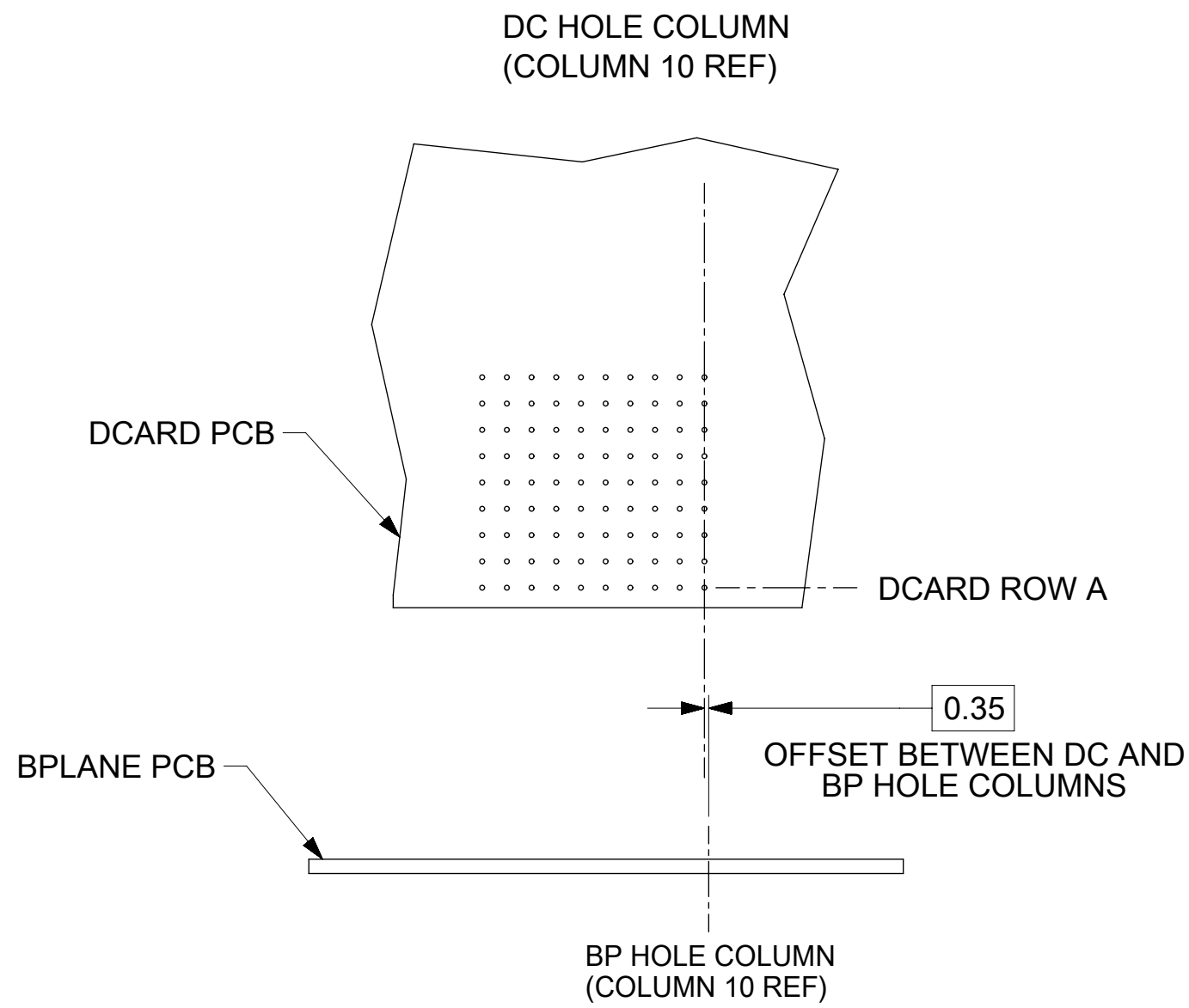
KEY ORIENTATION

- 0 = NO KEY
- 1 = A
- 2 = B
- 3 = C
- 4 = D
- 5 = E
- 6 = F
- 7 = G
- 8 = H

QUALITY SYMBOLS	THIS DRAWING CONTAINS INFORMATION THAT IS PROPRIETARY TO MOLEX ELECTRONIC TECHNOLOGIES, LLC AND SHOULD NOT BE USED WITHOUT WRITTEN PERMISSION									
▽ = 0	EC NO: 168628 DRWN: KUCHILA CHKD: PRAMASWAMY APPR: PRAMASWAMY MIGRATED TO NX 2017/11/09 2017/11/27 2017/11/28	GENERAL TOLERANCES (UNLESS SPECIFIED)		DIMENSION UNITS	SCALE					
▽ = 0		ANGULAR TOL ± 0.5 °		mm	2.5:1					
▽ = 0		4 PLACES ±		DRWN BY	DATE	IMPACT 3-PAIR 85-OHM RIGHT GUIDED BACKPLANE SALES ASSEMBLY DRAWING				
▽ = 0		3 PLACES ±		DMORGAN	2014/07/21					
▽ = 0		2 PLACES ± 0.13		CHKD BY	DATE	PRODUCT CUSTOMER DRAWING				
▽ = 0		1 PLACE ± 0.25		MPOFF	2014/07/21					
▽ = 0		0 PLACES ±		APPR BY	DATE	SERIES MATERIAL NUMBER CUSTOMER 170525 SEE CHART GENERAL MARKET				
▽ = 0		DRAFT WHERE APPLICABLE MUST REMAIN WITHIN DIMENSIONS		SMILLER	2014/08/04					
▽ = 0		D3		DRAWING SIZE	THIRD ANGLE PROJECTION	DOCUMENT NUMBER DOC TYPE DOC PART SHEET NUMBER SD-170525-0003 PSD 001 2 OF 3				
▽ = 0		C								



IMPACT 3 PAIR BOARD RELATIONSHIPS



QUALITY SYMBOLS ▽ = 0 ▽ = 0 ▽ = 0 ▼ = 0 ▽ = 0 ⊠ = 0 ■ = 0 ▽ = 0	THIS DRAWING CONTAINS INFORMATION THAT IS PROPRIETARY TO MOLEX ELECTRONIC TECHNOLOGIES, LLC AND SHOULD NOT BE USED WITHOUT WRITTEN PERMISSION										
	EC NO: 168628 DRWN: KUCHILA CHKD: PRAMASWAMY APPR: PRAMASWAMY		2017/11/09 2017/11/27 2017/11/28		GENERAL TOLERANCES (UNLESS SPECIFIED) ANGULAR TOL ± 0.5 °		DIMENSION UNITS: mm SCALE: 3:1				IMPACT 3-PAIR 85-OHM RIGHT GUIDED BACKPLANE SALES ASSEMBLY DRAWING
MIGRATED TO NX EC NO: 168628 DRWN: KUCHILA CHKD: PRAMASWAMY APPR: PRAMASWAMY		2017/11/09 2017/11/27 2017/11/28		4 PLACES ± 3 PLACES ± 2 PLACES ± 0.13 1 PLACE ± 0.25 0 PLACES ±		DRWN BY: DMORGAN DATE: 2014/07/21		CHKD BY: MPOFF DATE: 2014/07/21			
DRAFT WHERE APPLICABLE MUST REMAIN WITHIN DIMENSIONS		D3		C		THIRD ANGLE PROJECTION		SERIES: 170525 MATERIAL NUMBER: SEE CHART CUSTOMER: GENERAL MARKET		PRODUCT CUSTOMER DRAWING	
RELEASE STATUS: P1 RELEASE DATE: 28.11.2017 05:20:57		D3		C		DRAWING SIZE: C		DOCUMENT NUMBER: SD-170525-0003 DOC TYPE: PSD DOC PART: 001 SHEET NUMBER: 3 OF 3		PRODUCT CUSTOMER DRAWING	