

PCB LAYOUT

OBSOLETE

SPECIFICATIONS:

MATERIAL:-

MOULDING: NYLON 66, UL94V-0

CONTACT: PHOSPHOR BRONZE, 0.3MM FLAT PIN

FINISH:-

TIN PLATED

ELECTRICAL:-

CURRENT RATING: 1A AC/DC MAX.

WORKING VOLTAGE: 100V AC/DC

WITHSTAND VOLTAGE: 500V AC/MINUTE

CONTACT RESISTANCE: 20 mΩ MAX.

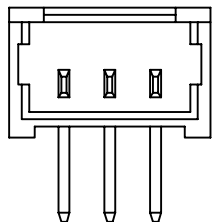
INSULATION RESISTANCE: 100 MΩ MIN.

ENVIRONMENTAL:-

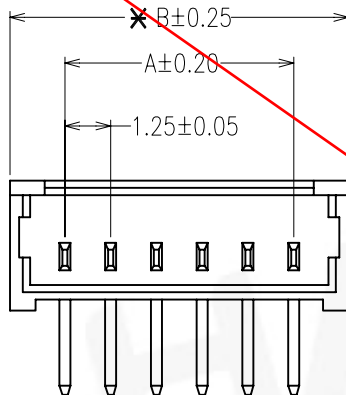
TEMPERATURE RANGE: -25°C TO +85°C

OTHERS:-

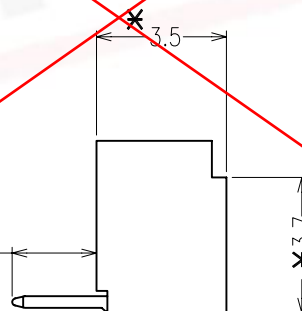
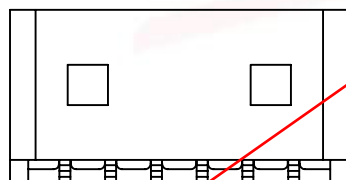
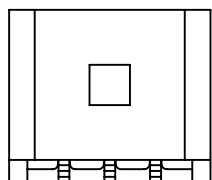
MATE WITH HOUSING M30-130 XX 46



2-3P



4-15P



NOTES: ALL DIMENSIONS AND NOTES
MARKED * ARE CRITICAL AND
MUST BE CHECKED IN ACCORDANCE
WITH QUALITY DOC. QI-02A

NO. OF WAYS	PART NO	DIM (MM)	
		A	B
2	M30-4100246	1.25	4.25
3	M30-4100346	2.50	5.50
4	M30-4100446	3.75	6.75
5	M30-4100546	5.00	8.00
6	M30-4100646	6.25	9.25
7	M30-4100746	7.50	10.50
8	M30-4100846	8.75	11.75
9	M30-4100946	10.00	13.00
10	M30-4101046	11.25	14.25
11	M30-4101146	12.50	15.50
12	M30-4101246	13.75	16.75
13	M30-4101346	15.00	18.00
14	M30-4101446	16.25	19.25
15	M30-4101546	17.50	20.50

Allan	2	02.07.08	A139
Allan	1	01.08.06	-
NAME	ISS.	DATE	C/NOTE

APPROVED: *Ben*
CHECKED:
DRAWN: Allan

ORDER CODE

M30-410 XX 46

NO. OF WAYS

CUSTOMER REF.:

ASSEMBLY DRG:

HARWIN

HARWIN USA
TEL: 603 893 5376
FAX: 603 893 5396
mis@harwin.com

HARWIN Europe (UK)
TEL: 023 9231 4545
FAX: 023 9231 4590
mis@harwin.co.uk

HARWIN Asia
TEL: +65 6 779 4909
FAX: +65 6 779 3868
mis@harwin.com.sg

THIS DRAWING AND ANY
INFORMATION OR DESCRIPTIVE
MATTER SET OUT HEREON ARE
CONFIDENTIAL AND COPYRIGHT
PROPERTY OF THE HARWIN
GROUP AND MUST NOT BE
DISCLOSED, LOANED, COPIED
OR USED FOR MANUFACTURING,
TENDERING OR FOR ANY
OTHER PURPOSE WITHOUT
THEIR WRITTEN PERMISSION.

TOLERANCES
X. = ±1mm
X.X = ±0.25mm
X.XX = ±0.15mm
X.XXX = ±0.08mm
ANGLES = ±5°
UNLESS STATED

MATERIAL:
SEE NOTES
FINISH: SEE NOTES
S/AREA: mm²

TITLE: HEADER P=1.25MM DIP
R/A TYPE

DRAWING NUMBER:
M30-410 XX 46

SHT
1
OF
1