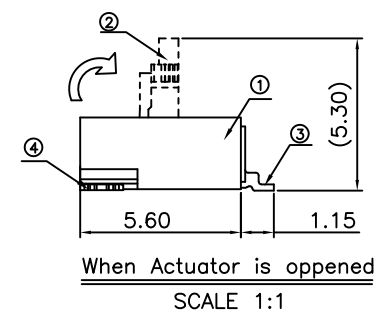
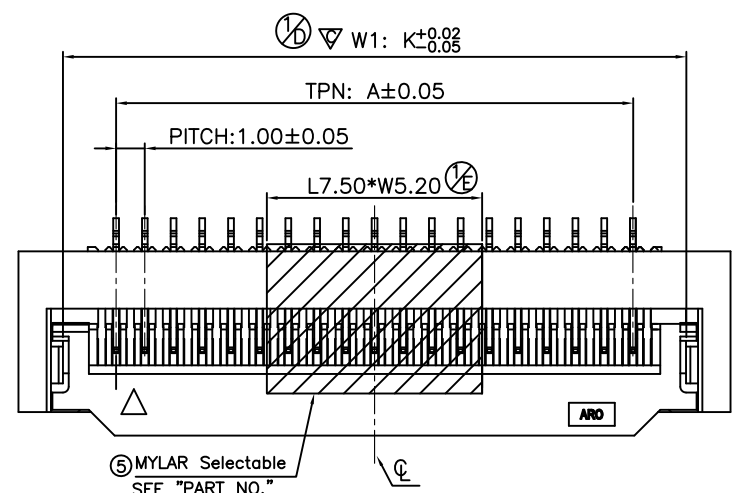


This document is the property of and embodies CONFIDENTIAL and PROPRIETARY information of AMOR. No part of the information shown on this document may be used in any way or disclosed to others without the written consent of AMOR. © 2019 AMOR



REV.	ECR/ECN No.	DESCRIPTION	DRAWN/DATE	CHECKED/DATE	APPROVED/DATE
D	/	Update the tolerance	May 2015-01-13	Rain 2015-01-13	Hongkui.Liu 2015-01-13
E	/	Improve the retaining force of FFC/FFC and change the shape of the terminal head	May 2016-04-13	Rain 2016-04-13	Hongkui.Liu 2016-04-13
F	/	The customer requires the material number to be upgraded	May 2016-05-13	Rain 2016-05-13	Hongkui.Liu 2016-05-13
G	/	Update the drawing frame	May 2019-11-29	Rain 2019-11-29	Hongkui.Liu 2019-11-29

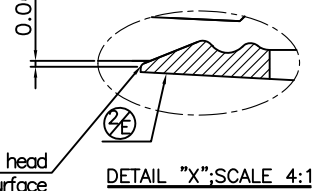
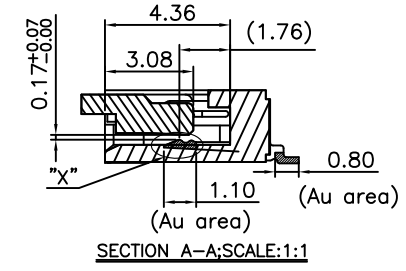
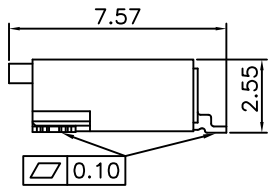
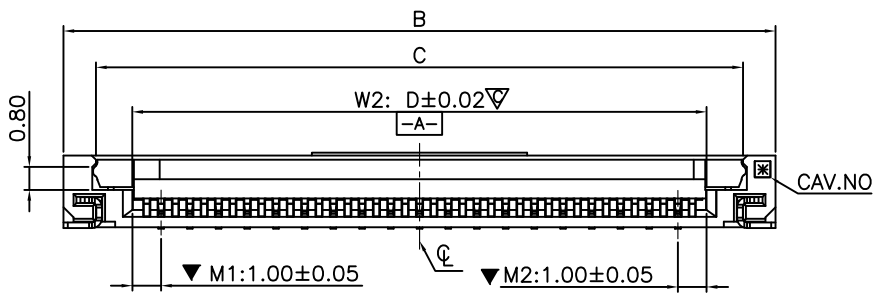


SPECIFICATION

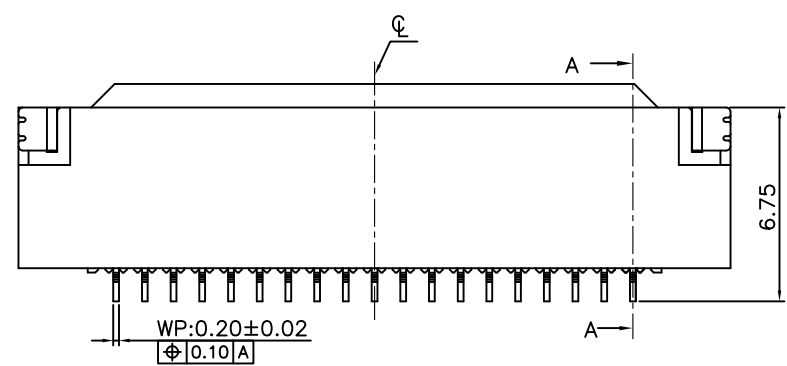
- CONTACT RESISTANCE : 30mΩ MAX.;
- DIELECTRIC WITHSTANDING VOLTAGE; 500V AC R.M.S. FOR 1 MINUTE;
- INSULATION RESISTANCE : 500MΩ MIN;
- "▽" IS IMPORTANT DIMENSION;
- "▽"NOTATION FOR CPK AND X-R TEST SIZE
- ALL MATERIAL MUST BE COMPLY WITH SS-00259 OR RoHS.
- PART NO.:

F51L-1*7*1-*10**
 F51L-1*7*1-*10**-E*10(upgraded PN)

- 1A:LCP Natural
- 1B:LCP Black
- 1:WITH MYLAR
- 2:WITHOUT MYLAR
- NO. OF POSITIONS
- 1:Containing halogen
- 2:halogen-free
- 7H:PHOSPHOR BRONZE 0.05um MIN Au(Au Area)
- 7A:PHOSPHOR BRONZE MATTER TIN



NO.	COMPONENTS	MATERIALS	FINISH/COLOR SPECIFICATION	QTY.
1	HOUSING	Liquid crystal polymer	Natural or Black(UL94V-0);	1
2	ACTUATOR	Polyamide 9T	black(UL94V-0);	1
3	CONTACT	Phosphor Bronze T=0.20mm	UNDER PLATING:1~3um Ni SURFACE SELECT PLATING:SEE PART NO.	N
4	ANCHOR-PLATE	Brass T=0.20mm	2~4um Tin PLATING 1~3um Ni UNDERPLATING	2
5	MYLAR	T=0.10mm THERMOSTABLE	YELLOW	1



UNLESS OTHERWISE SPECIFIED TOLERANCES		ANGLE OF PROJECTION		 Amphenol Aorora Technology (Huizhou) Co.,Ltd		
X.	±0.30	X.°	± 5'			
X.X	±0.25	X.X°	± 4'	TITLE: Assembly Drawing For 1.0mm pitch Front side filp, with lock,H2.55mm(4~19PIN)		
X.XX	±0.20	X.XX°	± 3'			
X.XXX	±0.15	X.XXX°	± 2'	PART NUMBER: F51L-1*7*1-*10** F51L-1*7*1-*10**-E*10		
LINEAR DIMS		ANGLES DIMS				
DWG NO.:	A-S0121		APPROVED DATE	Hongkui.Liu 2019-11-29	SCALE	4:1
MATERIAL	SEE NOTES		CHECKED DATE	Rain 2019-11-29	UNIT	mm
FINISHED	SEE NOTES		DRAWN DATE	May 2019-11-29	SHEET	1 OF 2

1 | 2 | 3 | 4

1. FFC PATTERN DIMENSION

FFC TYPE I

FFC TYPE II

2. P.C.B LAYOUT, TOL: ±0.05

RECOMMENDED P.C.BOARD PATTERN DIMENSION(REF.)
COMPONENT SIDE

DIMENSION LIST:

NO. OF POS.	A	B	C	D	F	G	H	J	K
4	3.0	9.8	7.54	5.0	5.0	6.6	10.1	6.5	6.72
5	4.0	10.8	8.54	6.0	6.0	7.6	11.1	7.5	7.72
6	5.0	11.8	9.54	7.0	7.0	8.6	12.1	8.5	8.72
7	6.0	12.8	10.54	8.0	8.0	9.6	13.1	9.5	9.72
8	7.0	13.8	11.54	9.0	9.0	10.6	14.1	10.5	10.72
9	8.0	14.8	12.54	10.0	10.0	11.6	15.1	11.5	11.72
10	9.0	15.8	13.54	11.0	11.0	12.6	16.1	12.5	12.72
11	10.0	16.8	14.54	12.0	12.0	13.6	17.1	13.5	13.72
12	11.0	17.8	15.54	13.0	13.0	14.6	18.1	14.5	14.72
13	12.0	18.8	16.54	14.0	14.0	15.6	19.1	15.5	15.72
14	13.0	19.8	17.54	15.0	15.0	16.6	20.1	16.5	16.72
15	14.0	20.8	18.54	16.0	16.0	17.6	21.1	17.5	17.72
16	15.0	21.8	19.54	17.0	17.0	18.6	22.1	18.5	18.72
17	16.0	22.8	20.54	18.0	18.0	19.6	23.1	19.5	19.72
18	17.0	23.8	21.54	19.0	19.0	20.6	24.1	20.5	20.72
19	18.0	24.8	22.54	20.0	20.0	21.6	25.1	21.5	21.72

UNLESS OTHERWISE SPECIFIED TOLERANCES			ANGLE OF PROJECTION		 Amphenol Aorora Technology (Huizhou) Co.,Ltd	
X.	±0.30	X. °	± 5'			
X.X	±0.25	X.X °	± 4'	DOC TYPE: Customer Drw		TITLE: Assembly Drawing For 1.0mm pitch Front side filp, with lock,H2.55mm(4~19PIN)
X.XX	±0.20	X.XX °	± 3'	DRAWN	May 2019-11-29	
X.XXX	±0.15	X.XXX °	± 2'	DESIGN	May 2019-11-29	SIZE: A4
LINEAR DIMS		ANGLES DIMS		CHECKED	Rain 2019-11-29	PART NUMBER: F51L-1*7*1-10** F51L-1*7*1-10**-E*10
DWG NO.:	A-S0121			APPROVED	Hongkui.Liu 2019-11-29	REV. G
MATERIAL	SEE NOTES			FINISHED	SEE NOTES	
SCALE: 4:1			UNIT: mm		SHEET 2 OF 2	

This document is the property of and embodies CONFIDENTIAL and PROPRIETARY information of AMOR. No part of the information shown on this document may be used in any way or disclosed to others without the written consent of AMOR. © 2019 AMOR

1 | 2 | 3 | 4

Aor-QR-0406-A