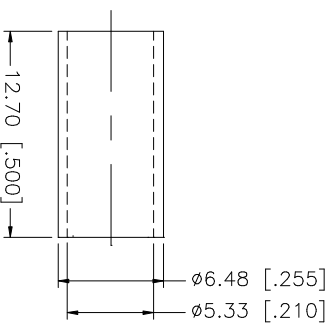
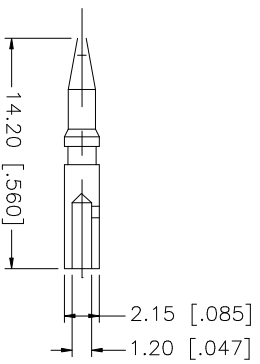
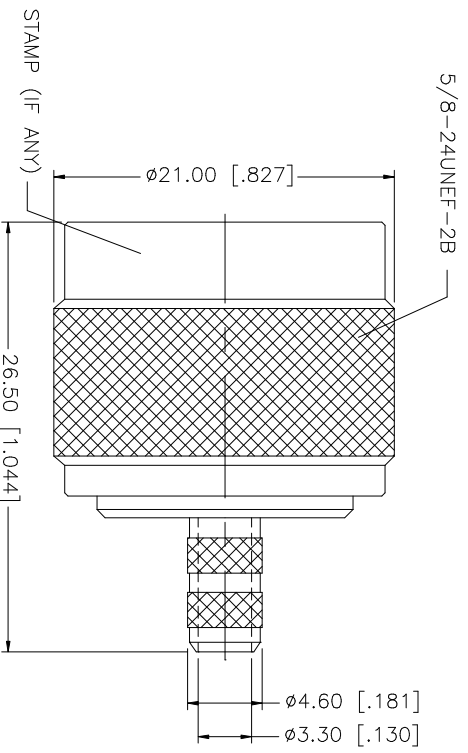
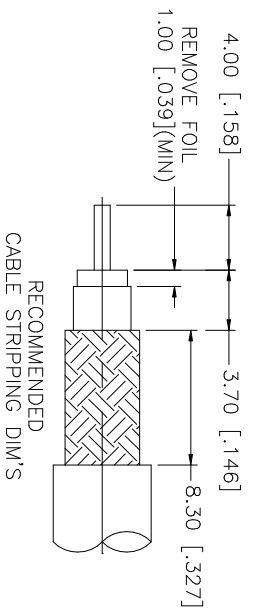


| REV. | DATE | DESCRIPTION |
|------|----------|-----------------------|
| A | 04/31/03 | UPDATE DRAWING FORMAT |
| B | 02/24/04 | MODIFY DESCRIPTION |



NOTES:

1. CRIMPED FERRULE
HEX CRIMP SIZE .213"
2. CRIMPED CONTACT PIN
HEX CRIMP SIZE .068"

| QTY | DESCRIPTION | MATERIAL | FINISH | DO NOT SCALE DRAWING | APPROVALS | DATE | PART DESCRIPTION | DWG. NO. | REV. | SIZE | SCALE |
|-----|----------------|----------|---------|--|-------------------|----------|--------------------------------|------------|------|------|-------|
| 1 | INSULATOR BODY | BRASS | NEXCOTE | 1.180 - 4.724 = ± 0.020" | G.R.S. | 02/24/04 | N CRIMP PLUG (LMR200 CABLE) | 172214.DWG | B | A | NA |
| 1 | CONTACT PIN | BRASS | GOLD | 0.20 - .315 = ± 0.007" | CHECKED | | | | | | |
| 1 | FERRULE | COPPER | NEXCOTE | 30 - 120mm ± 0.50mm | ISSUED | | | | | | |
| 1 | INSULATOR BODY | BRASS | NEXCOTE | 8 - 30mm ± 0.40mm | SHEET | 1 OF 1 | | | | | |
| 1 | CONTACT PIN | BRASS | GOLD | 0.5 - 8mm ± 0.20mm | CAD FILE | | | | | | |
| 1 | INSULATOR BODY | BRASS | NEXCOTE | UNLESS OTHERWISE SPECIFIED DIMENSIONS ARE IN MILLIMETERS. DIMENSIONS IN [] ARE IN INCHES AND FOR CUSTOMER REFERENCE ONLY. UNLESS OTHERWISE SPECIFIED TOLERANCES FOR MILLIMETERS ARE: 0.5 - 8mm ± 0.20mm 8 - 30mm ± 0.40mm 30 - 120mm ± 0.50mm UNLESS OTHERWISE SPECIFIED TOLERANCES FOR INCHES ARE: .315 - 1.180 = ± 0.015" 1.180 - 4.724 = ± 0.020" | C:/172/172214.DWG | | | | | | |

Amphenol Connex