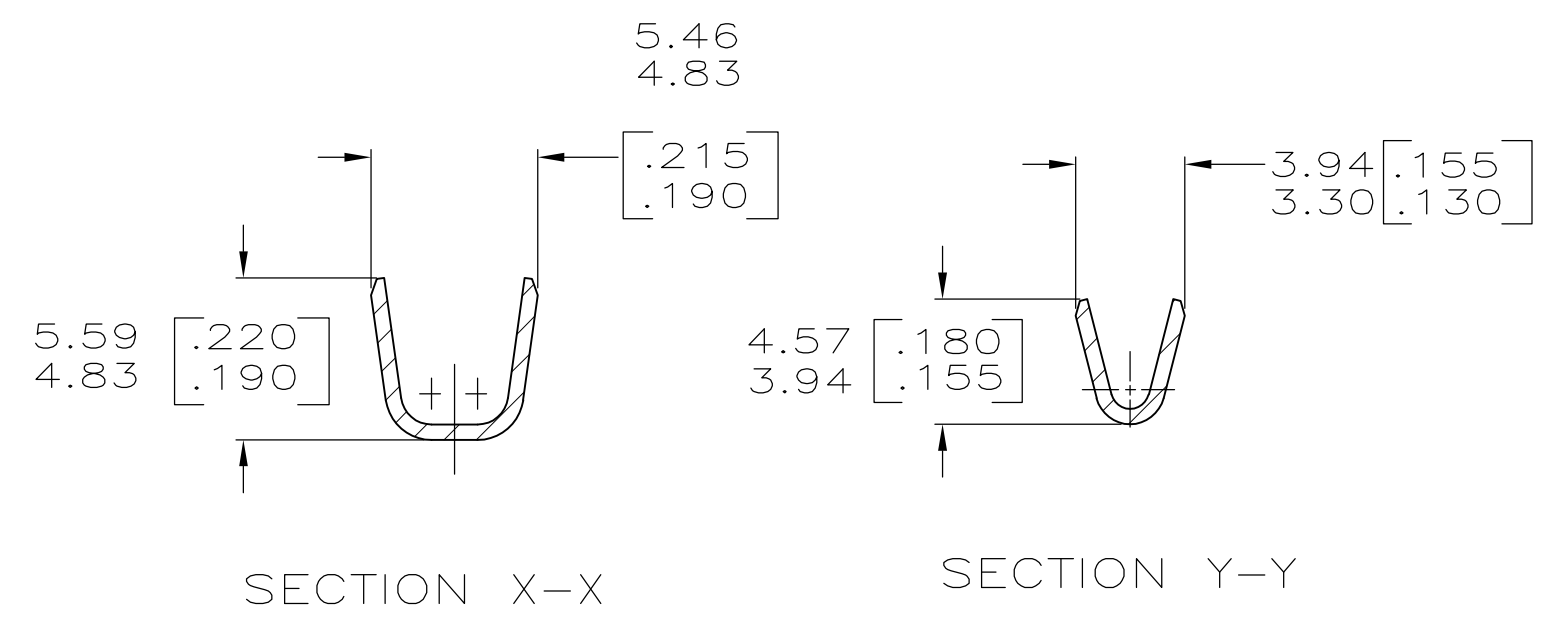
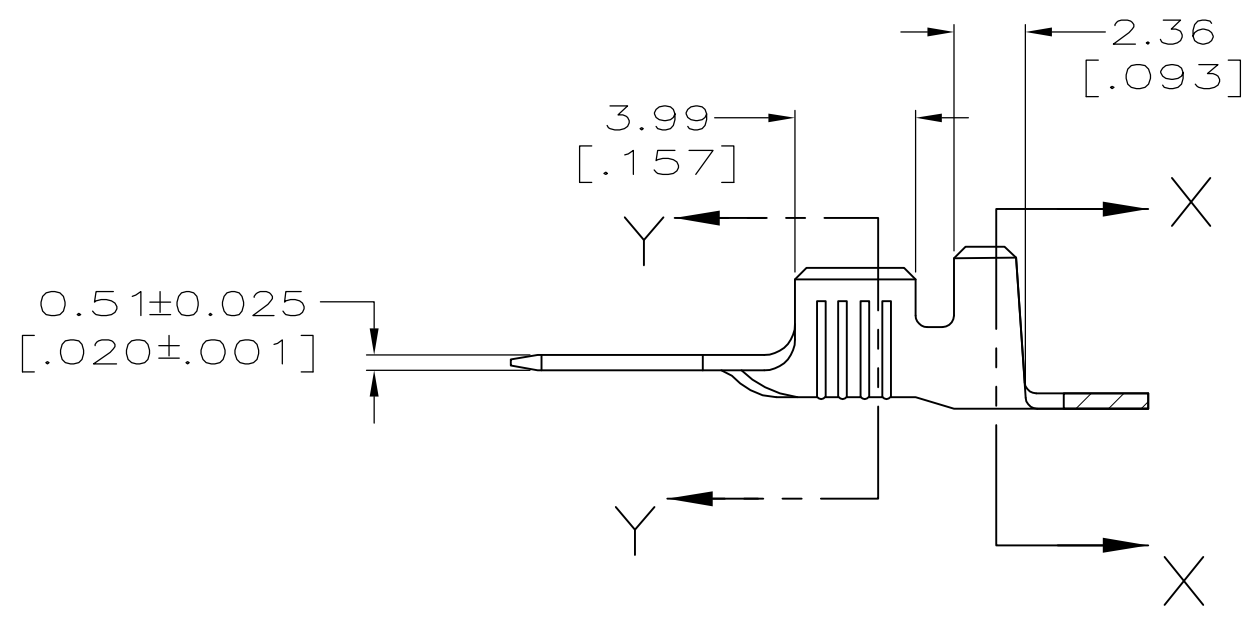
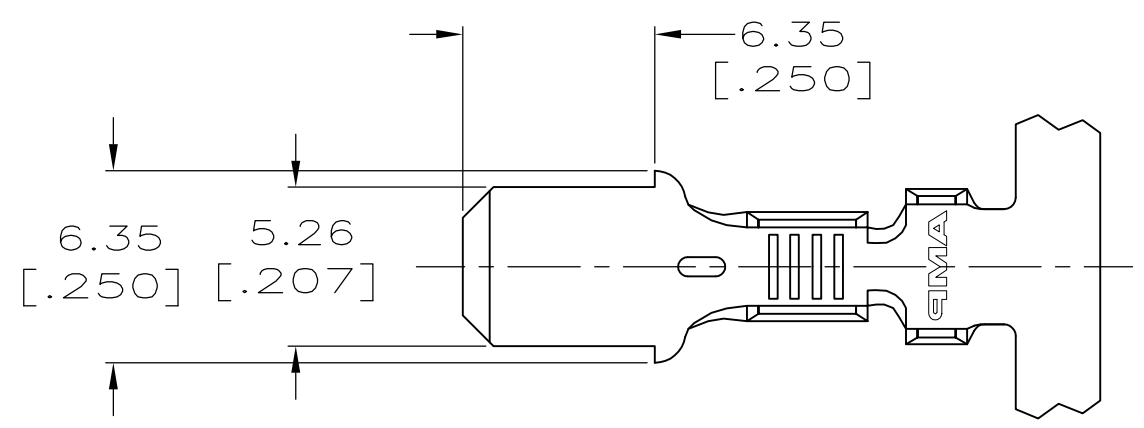


THIS DRAWING IS UNPUBLISHED. RELEASED FOR PUBLICATION  
 © COPYRIGHT - By - ALL RIGHTS RESERVED.

LOC	DIST	REVISIONS			
P	LTR	DESCRIPTION	DATE	DWN	APVD
AF	50				
	D	REVISED PER ECR-13-011489	04DEC2013	KH	PD

- CONTINUOUS STRIP ON REELS.
- WIRE SIZE IS [#18-#14] AWG.
- INSULATION RANGE 3.05-3.81 [.120-.150] DIA.



63223-1  
PART NO.

THIS DRAWING IS A CONTROLLED DOCUMENT.		DWN	JR RUTH	1/9/97	<b>STE</b> TE Connectivity			
DIMENSIONS: mm [INCHES]		CHK	MS FEHER	1/9/97				
TOLERANCES UNLESS OTHERWISE SPECIFIED:		APVD	J HUZVAR	1/9/97	NAME			
0 PLC ± -		PRODUCT SPEC			TAB, FASTON, 5.21 [.205] SERIES			
1 PLC ± -		APPLICATION SPEC			SIZE	CAGE CODE	DRAWING NO	RESTRICTED TO
2 PLC ± 0.38 [.015]		WEIGHT			A3	00779	C-63223	-
3 PLC ± -		CUSTOMER DRAWING			SCALE	SHEET	REV	
4 PLC ± -					4:1	1 OF 1	D	
ANGLES ± -								
MATERIAL		FINISH						
BRASS		TIN						