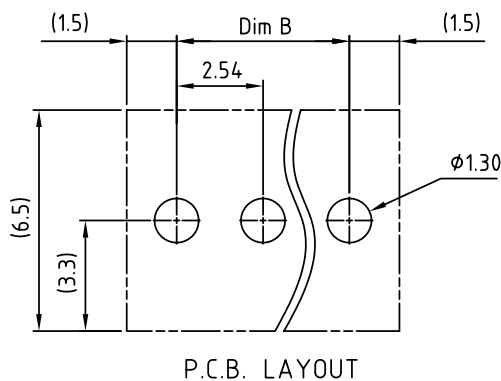
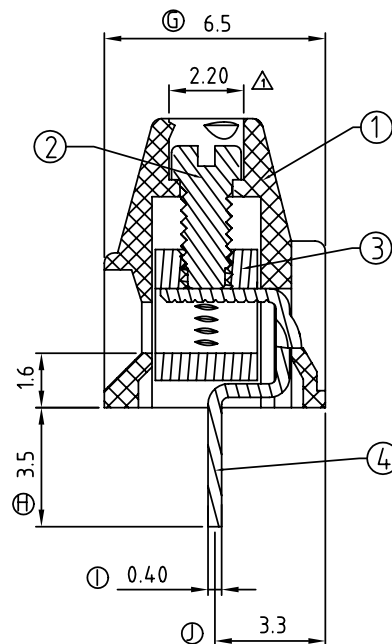
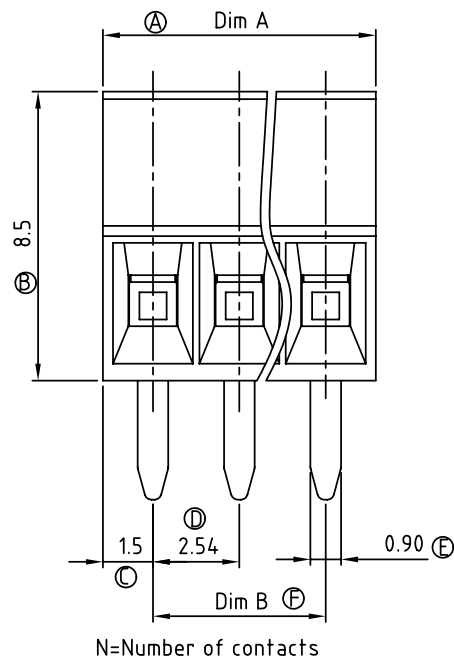
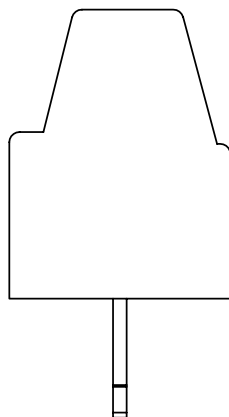
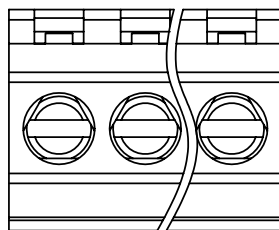


N = Number of poles  
 Dim A =  $N \times 2.54 + 0.4$   
 Dim B =  $(N - 1) \times 2.54$

	Dim A	Dim B
2-6p	±0.15	±0.10
7-12p	±0.20	±0.20
13-18p	±0.30	±0.25
19-24p	±0.40	±0.30



SIGN	DATE	DESCRIPTION	APPROVER
△	11/12'08	螺絲孔加大由 2.10 變更為 2.20	Kind
△	11/12'08	Voltage rating changed from 125V AC to 150V AC	Kind
△	11/12'08	Wire changed from 20-30AWG to 18-30AWG	Kind
△	11/12'08	Withstanding voltage changed from 1.25KV to 1.3KV	Kind

THIS IS CAD DRAWING, DO NOT REVISE MANUALLY!!!

### Material

- Item 1 Terminal housing :PA66 ( UL94V-0 )
- Item 2 Terminal screw : Steel Zinc plating "-" slot type
- Item 3 Clamp : Brass, Ni plated
- Item 4 Wire guard solder pin (entry) : Brass, Tin plated

### Electrical cULus

- △ ● Voltage rating: 150VAC
- Current rating: 6A
- Wire range:
- △ ● Solid wire(AWG): 18-30
- △ ● Stranded wire(AWG): 18-30
- Torque: 1.3Lb-In
- Screw: M1.6
- Wire strip length: 4-5mm
- △ ● Withstanding Voltage: 1.3KV
- Operating temperature: -40°C to +115°C
- Soldering temperature: 250°C±10°C/5 Sec
- Safety Approval: cULus

VN xx A 1 x 0 xxxx G

02	2 CONTACTS	0	Black	0000	"@"Logo	Pb < 40,000ppm
03	3 CONTACTS	5	Green (RAL 6018/T)	000A	"ANYTEK"Logo	(RoHS)
...	...	6	Blue	Any special item by customer request,		
24	24 CONTACTS	8	Grey (RAL 7035/D)	please contact sales department.		

# ANYTEK

## CUSTOMER COPY

ALL RIGHTS RESERVED. REPRODUCTION OR ISSUE TO THIRD PARTIES IN ANY FORM WHATSOEVER IS NOT PERMITTED WITHOUT WRITTEN AUTHORITY FROM THE PROPRIETOR. PROPERTY OF ANYTEK TECHNOLOGY CO., LTD

TITLE		VN 2.54mm Series			DWG NO.		8VN0001	
PART NO.		VNxxA1x0xxxxG			CUST NO.			
APPROVED	CHECKED	DESIGNED	DRAWN	Tolerance				
		Kind	Kind	UNIT: mm		X. ±0.50		
		2008.11.12	2008.11.12	SCALE: NONE		X.X ±0.30		
SHEET: 01/01				REV.: E		X.XX ±0.10		
						X° ±1°		