



Econoseal

TE Internal #: 2822393-1

Housing for Female Terminals, Wire-to-Wire, 8 Position, .189 in [4.8 mm] Centerline, Sealable, Black, Signal, Cable Mount (Free-Hanging), Econoseal

[View on TE.com >](#)

Connectors > Automotive Connectors > Automotive Housings > ECONOSEAL, CONNECTOR HOUSING



Connector System: **Wire-to-Wire**

Number of Positions: **8**

Connector & Housing Type: **Housing for Female Terminals**

Centerline (Pitch): **4.8 mm [ .189 in ]**

Sealable: **Yes**

[All ECONOSEAL, CONNECTOR HOUSING \(108\)](#)

**Features**

**Product Type Features**

Hybrid Connector	No
Connector Shape	Rectangular
Connector System	Wire-to-Wire
Connector & Housing Type	Housing for Female Terminals
Sealable	Yes
Primary Locking Feature	Integrated in Housing

**Configuration Features**

Number of Positions	8
Number of Rows	2

**Body Features**

Cable Exit Angle	180°
Primary Product Color	Black



### Contact Features

Contact Size	1.8mm
Contact Type	Receptacle
Mating Tab Width	1.8 mm[.071 in]

### Mechanical Attachment

Terminal Position Assurance	No
Strain Relief	Without
Mating Alignment Type	Polarization Slot
Mating Alignment	With
Connector Mounting Type	Cable Mount (Free-Hanging)

### Housing Features

Housing Material	PBT
Centerline (Pitch)	4.8 mm[.189 in]

### Dimensions

Connector Height	27.6 mm[1.08 in]
Product Width	33.2 mm[1.31 in]
Product Length	31 mm[1.22 in]
Row-to-Row Spacing	5.6 mm[.22 in]

### Usage Conditions

Operating Temperature (Max)	70 °C, 75 °C, 80 °C, 85 °C, 90 °C, 100 °C, 105 °C[158 °F][167 °F][176 °F][185 °F][194 °F] [212 °F][221 °F]
Operating Temperature Range	-30 – 105 °C[-22 – 221 °F]

### Operation/Application

Circuit Application	Signal
---------------------	--------

### Industry Standards

UL Flammability Rating	UL 94V-2
------------------------	----------

### Packaging Features

Packaging Quantity	100
Packaging Method	Bag

### Other

Connector Position Assurance Capable	No
--------------------------------------	----



## Product Compliance

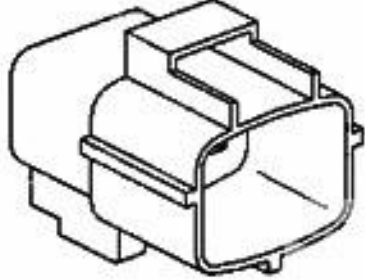

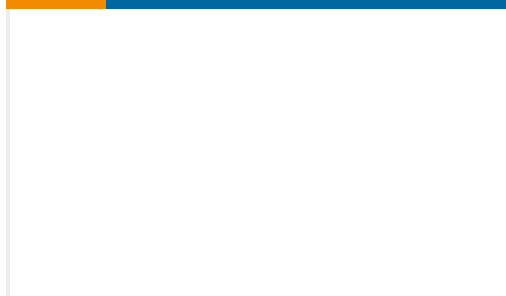
[For compliance documentation, visit the product page on TE.com>](#)

EU RoHS Directive 2011/65/EU	Compliant
EU ELV Directive 2000/53/EC	Compliant
China RoHS 2 Directive MIIT Order No 32, 2016	No Restricted Materials Above Threshold
EU REACH Regulation (EC) No. 1907/2006	Current ECHA Candidate List: JUNE 2023 (235) Candidate List Declared Against: JUNE 2023 (235) Does not contain REACH SVHC
Halogen Content	Not Low Halogen - contains Br or Cl > 900 ppm.
Solder Process Capability	Not applicable for solder process capability

### Product Compliance Disclaimer

This information is provided based on reasonable inquiry of our suppliers and represents our current actual knowledge based on the information they provided. This information is subject to change. The part numbers that TE has identified as EU RoHS compliant have a maximum concentration of 0.1% by weight in homogenous materials for lead, hexavalent chromium, mercury, PBB, PBDE, DBP, BBP, DEHP, DIBP, and 0.01% for cadmium, or qualify for an exemption to these limits as defined in the Annexes of Directive 2011/65/EU (RoHS2). Finished electrical and electronic equipment products will be CE marked as required by Directive 2011/65/EU. Components may not be CE marked. Additionally, the part numbers that TE has identified as EU ELV compliant have a maximum concentration of 0.1% by weight in homogenous materials for lead, hexavalent chromium, and mercury, and 0.01% for cadmium, or qualify for an exemption to these limits as defined in the Annexes of Directive 2000/53/EC (ELV). Regarding the REACH Regulation, the information TE provides on SVHC in articles for this part number is based on the latest European Chemicals Agency (ECHA) 'Guidance on requirements for substances in articles' posted at this URL: <https://echa.europa.eu/guidance-documents/guidance-on-reach>

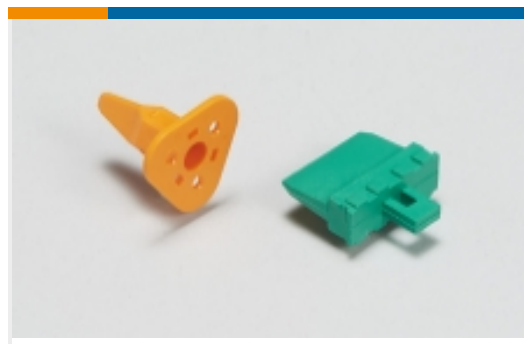
## Compatible Parts

 <p>TE Part # 174984-2 8 POS. CAP MK II+</p>	 <p>TE Part # 174983-7 8 POS DL PLATE FOR PLUG MKII+</p>	 <p>TE Part # 174981-2 E-J MARK 2(+) PLUG HSG 8P</p>
---	---	---

## Also in the Series | Econoseal



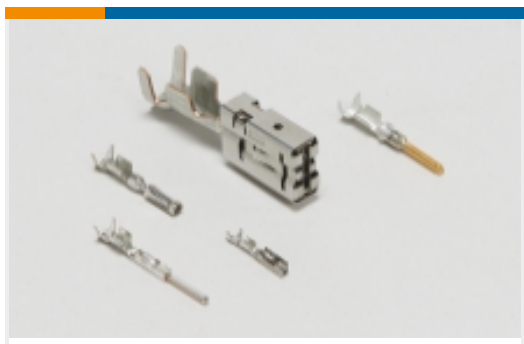
Automotive Connector Caps & Covers (1)



Automotive Connector Locks & Position Assurance(25)



Automotive Housings(105)



Automotive Terminals(48)



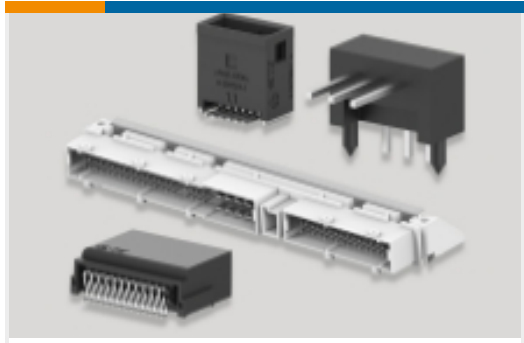
Connector Seals & Cavity Plugs(19)



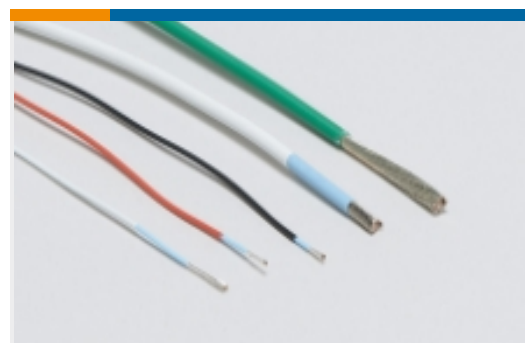
Insertion & Extraction Tools(7)



Other Automotive Connector Accessories(5)



PCB Headers & Receptacles(4)

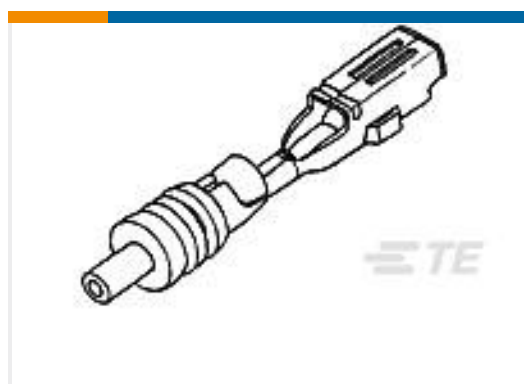


Primary Wire(1)

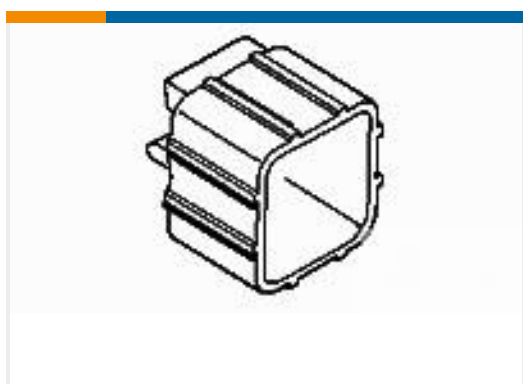
## Customers Also Bought



TE Part #174984-2  
ECONOSEAL, CONNECTOR HOUSING



TE Part #171630-1  
E-J MK-2 070 REC CONT



TE Part #174985-7  
8 POS. DL PLATE FOR CAP MK II+



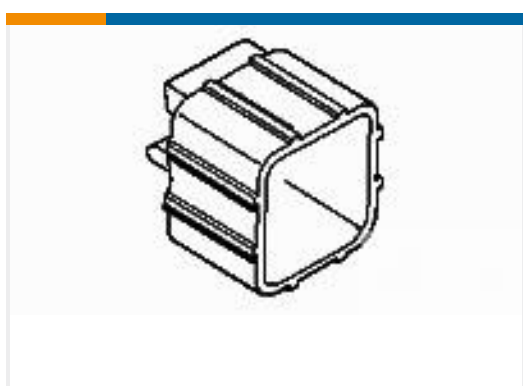
TE Part #174983-7  
8 POS DL PLATE FOR PLUG MKII+



TE Part #2822357-1  
070 CAVITY PLUG



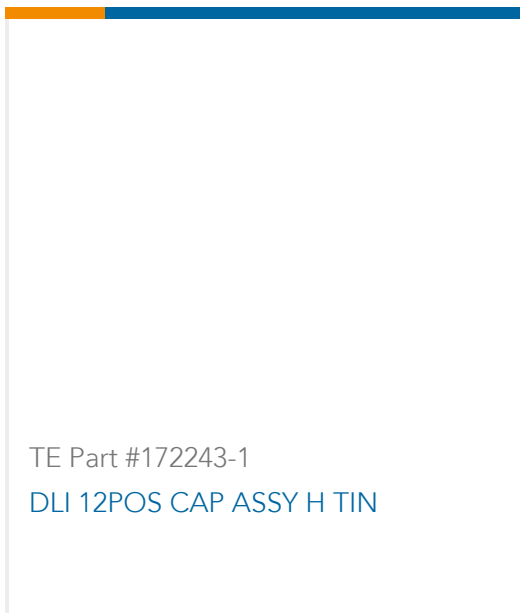
TE Part #2822352-1  
070 TYPE RUBBER PLUG



TE Part #1-174985-1  
E-J MK-2 CAP HSG 8P NATURAL



TE Part #1-174983-1  
E-J MK-2 PLUG HSG 8P NATUDRAL



## Documents

### Product Drawings

[070 ECONOSEAL MARK-2+ PLUG 8P](#)

Japanese

### CAD Files

[3D PDF](#)

3D

Customer View Model

[ENG\\_CVM\\_CVM\\_2822393-1\\_A.2d\\_dxf.zip](#)

English

Customer View Model

[ENG\\_CVM\\_CVM\\_2822393-1\\_A.3d\\_igs.zip](#)

English

Customer View Model

[ENG\\_CVM\\_CVM\\_2822393-1\\_A.3d\\_stp.zip](#)

English

By downloading the CAD file I accept and agree to the [Terms and Conditions](#) of use.

### Datasheets & Catalog Pages

[Econoseal Connector Series](#)

English

### Product Specifications

[Product Specification](#)

English

[Product Specification](#)

Japanese

### Agency Approvals

[Agency Approval Document](#)

English