

# DS1181L

# 20MHz to 134MHz Spread-Spectrum Clock Modulator for LCD Panels

## General Description

The DS1181L is a spread-spectrum clock modulator IC that reduces EMI in high clock-frequency-based, digital electronic equipment.

Using an integrated phase-locked loop (PLL), the DS1181L accepts an input clock signal in the range of 20MHz to 134MHz and delivers a spread-spectrum modulated output clock signal. The PLL modulates, or dithers, the output clock about the center input frequency at a pin-selectable magnitude, allowing direct EMI control and optimization. In addition, through an enable pin the dithering can be enabled or disabled for easy comparison of system performance during EMI testing. This same input pin also allows the DS1181L output to be three-stated.

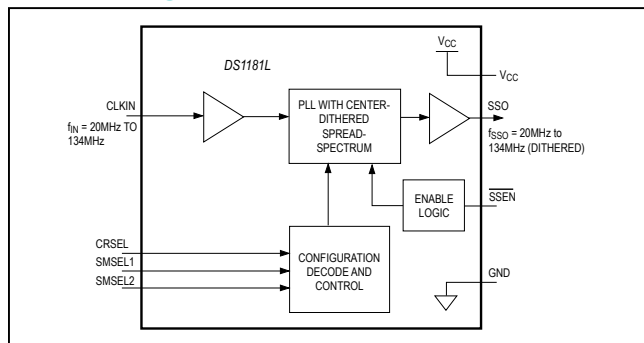
By dithering the system clock, all the address, data, and timing signals generated from this signal are also dithered so that the measured EMI at the fundamental and harmonic frequencies is greatly reduced. This is accomplished without changing clock rise/fall times or adding the space, weight, design time, and cost associated with mechanical shielding.

The DS1181L is provided in an 8-pin TSSOP package and operates over a full automotive temperature range of -40°C to +125°C.

## Applications

- LCD Panels for TVs, Desktop Monitors, and Notebook and Tablet PCs
- Printers

## Block Diagram



## Features

- Modulates a 20MHz to 134MHz Clock with Center Spread-Spectrum Dithering
- Selectable Spread-Spectrum Modulation Magnitudes of:
  - ±0.5%
  - ±1.0%
  - ±1.5%
  - ±2.0%
- Low 75ps Cycle-to-Cycle Jitter
- Spread-Spectrum Disable Mode
- Pin Compatible with Alliance/PulseCore Semiconductor P2040 Series Devices
- Clock Output Disable
- Low Cost
- Low Power Consumption
- 3.3V Single Voltage Supply
- -40°C to +125°C Temperature Range
- Small 8-Pin TSSOP Package

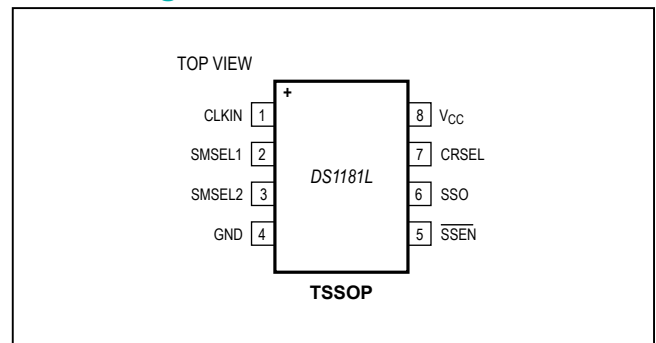
## Ordering Information

PART	TEMP RANGE	PIN-PACKAGE
DS1181LE+	-40°C to +125°C	8 TSSOP
DS1181LE+T	-40°C to +125°C	8 TSSOP

+Denotes a lead(Pb)-free/RoHS-compliant package.  
T = Tape and reel.

Typical Operating Circuit appears at end of data sheet.

## Pin Configuration



**Absolute Maximum Ratings**

Voltage Range on V<sub>CC</sub> Relative to GND .....-0.5V to +4.3V  
 Voltage Range on Any Lead Relative to GND.....-0.5V to (V<sub>CC</sub> + 0.5V), not to exceed +4.3V  
 Operating Temperature Range..... -40°C to +125°C

Storage Temperature Range ..... -55°C to +125°C  
 Soldering Temperature .....See J-STD-020 Specification

*Stresses beyond those listed under "Absolute Maximum Ratings" may cause permanent damage to the device. These are stress ratings only, and functional operation of the device at these or any other conditions beyond those indicated in the operational sections of the specifications is not implied. Exposure to absolute maximum rating conditions for extended periods may affect device reliability.*

**Recommended Operating Conditions**

(T<sub>A</sub> = -40°C to +125°C, unless otherwise noted.)

PARAMETER	SYMBOL	CONDITIONS	MIN	TYP	MAX	UNITS
Supply Voltage	V <sub>CC</sub>	(Note 1)	3.0		3.6	V
Input Logic 1	V <sub>IH</sub>		0.8 x V <sub>CC</sub>		V <sub>CC</sub> + 0.3	V
Input Logic 0	V <sub>IL</sub>		-0.3		0.2 x V <sub>CC</sub>	V
Input Logic Float (SSEN, CRSEL)	I <sub>FLOAT</sub>	0V < V <sub>IN</sub> < V <sub>CC</sub>			±1	µA
SSO Load	C <sub>L</sub>	SSO < 80MHz			15	pF
		80MHz ≤ SSO < 134MHz			7	
CLKIN Frequency	f <sub>IN</sub>		20		134	MHz
CLKIN Duty Cycle	f <sub>INDC</sub>		40		60	%

**DC Electrical Characteristics**

(V<sub>CC</sub> = +3.0V to +3.6V, T<sub>A</sub> = -40°C to +125°C, unless otherwise noted.)

PARAMETER	SYMBOL	CONDITIONS	MIN	TYP	MAX	UNITS
Supply Current	I <sub>CC</sub>	C <sub>L</sub> = 7pF, f <sub>IN</sub> = 134MHz			18	mA
SMSSEL1/SMSSEL2/CLKIN Input Leakage	I <sub>IL:1</sub>	0V < V <sub>IN</sub> < V <sub>CC</sub>	-1		+1	µA
CRSEL/SSEN Input Leakage	I <sub>IL:2</sub>	0V < V <sub>IN</sub> < V <sub>CC</sub>	-100		+100	µA
Output Leakage (SSO)	I <sub>OZ</sub>	SSEN = float	-1		+1	µA
Low-Level Output Voltage (SSO)	V <sub>OL</sub>	I <sub>OL</sub> = 4mA			0.4	V
High-Level Output Voltage (SSO)	V <sub>OH</sub>	I <sub>OH</sub> = -4mA	2.4			V

**AC Electrical Characteristics**

(V<sub>CC</sub> = +3.0V to +3.6V, T<sub>A</sub> = -40°C to +125°C, unless otherwise noted.)

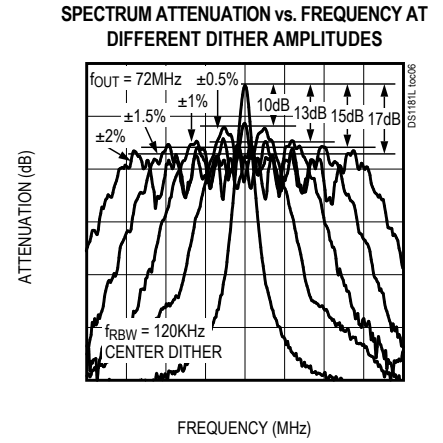
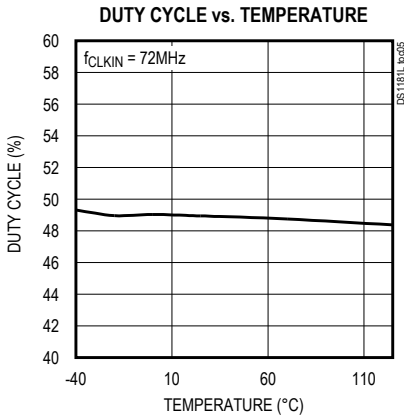
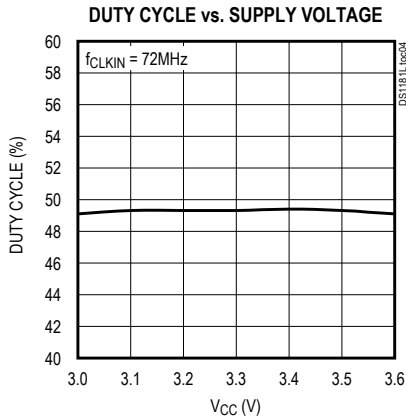
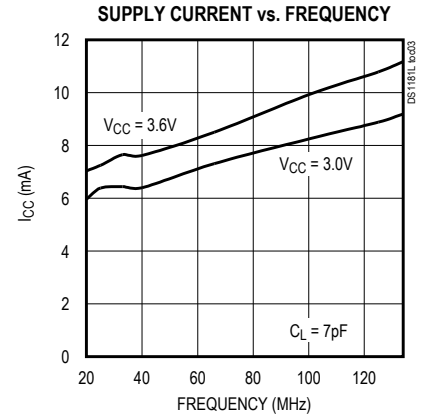
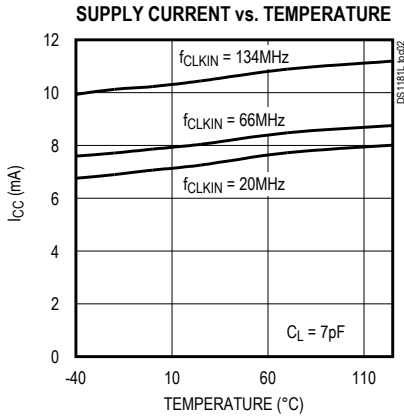
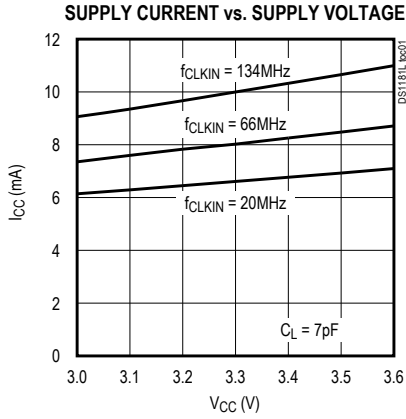
PARAMETER	SYMBOL	CONDITIONS	MIN	TYP	MAX	UNITS
SSO Duty Cycle	f <sub>SSODC</sub>	Measured at V <sub>CC</sub> /2	40		60	%
SSO Rise Time	t <sub>R</sub>	C <sub>L</sub> = 7pF		1		ns
SSO Fall Time	t <sub>F</sub>	C <sub>L</sub> = 7pF		1		ns
Peak Cycle-to-Cycle Jitter	t <sub>J</sub>	T <sub>A</sub> = -40°C to +85°C, 10,000 cycles		75		ps
Power-Up Time	t <sub>POR</sub>	(Note 2)			50	ms

**Note 1:** All voltages referenced to ground. Currents into the IC are positive and out of the IC are negative.

**Note 2:** Time between power applied to device and stable output.

Typical Operating Characteristics

(TA = +25°C, unless otherwise noted.)



## Pin Description

PIN	NAME	FUNCTION										
1	CLKIN	Clock Input. 20MHz to 134MHz clock input ( $f_{IN}$ ).										
2	SMSEL1	Spread-Spectrum Magnitude Select Inputs. These digital inputs select the desired spread-spectrum magnitude as shown in the table below.										
		<table border="1"> <thead> <tr> <th>SMSEL2</th> <th>SMSEL1</th> <th>MAGNITUDE SELECTED (%)</th> </tr> </thead> <tbody> <tr> <td>0</td> <td>0</td> <td><math>\pm 2.0</math></td> </tr> </tbody> </table>	SMSEL2	SMSEL1	MAGNITUDE SELECTED (%)	0	0	$\pm 2.0$				
		SMSEL2	SMSEL1	MAGNITUDE SELECTED (%)								
0	0	$\pm 2.0$										
<table border="1"> <tbody> <tr> <td>0</td> <td>1</td> <td><math>\pm 1.5</math></td> </tr> <tr> <td>1</td> <td>0</td> <td><math>\pm 1.0</math></td> </tr> <tr> <td>1</td> <td>1</td> <td><math>\pm 0.5</math></td> </tr> </tbody> </table>	0	1	$\pm 1.5$	1	0	$\pm 1.0$	1	1	$\pm 0.5$			
0	1	$\pm 1.5$										
1	0	$\pm 1.0$										
1	1	$\pm 0.5$										
3	SMSEL2											
4	GND	Ground										
5	$\overline{\text{SSEN}}$	Spread-Spectrum Enable. Three-level input to enable/disable spread-spectrum and to three-state the output. 0 = Power-up/spread-spectrum enabled Float = SSO three-stated 1 = Power-up/spread-spectrum disabled (not a bypass mode).										
6	SSO	Spread-Spectrum Clock Output. Outputs a center-dithered spread-spectrum version of the clock input at CLKIN.										
7	CRSEL	Clock Range and Dither Rate Select. Three-level input that determines the dither rate. See the <i>Detailed Description</i> section for details.										
		<table border="1"> <thead> <tr> <th>CRSEL</th> <th>CLKIN RANGE (MHz)</th> <th>DITHER RATE</th> </tr> </thead> <tbody> <tr> <td>0</td> <td>66 to 134</td> <td rowspan="3"><math>f_{IN}/832</math></td> </tr> <tr> <td>Float</td> <td>33 to 80</td> </tr> <tr> <td>1</td> <td>20 to 38</td> </tr> </tbody> </table>	CRSEL	CLKIN RANGE (MHz)	DITHER RATE	0	66 to 134	$f_{IN}/832$	Float	33 to 80	1	20 to 38
		CRSEL	CLKIN RANGE (MHz)	DITHER RATE								
		0	66 to 134	$f_{IN}/832$								
Float	33 to 80											
1	20 to 38											
8	$V_{CC}$	Supply Voltage										

## Detailed Description

The DS1181L modulates an input clock to generate a center-dithered spread-spectrum output. A 20MHz to 134MHz clock is applied to the CLKIN pin. An internal PLL dithers the output clock about its center frequency at a user-selectable magnitude.

### Spread-Spectrum Dither Magnitude

The DS1181L can generate dither magnitudes up to  $\pm 2\%$ . The desired magnitude is selected using input pins SMSEL1 and SMSEL2 as shown in Table 1.

**Table 1. Dither Magnitude**

SMSEL2	SMSEL1	MAGNITUDE SELECTED (%)
0	0	$\pm 2.0$
0	1	$\pm 1.5$
1	0	$\pm 1.0$
1	1	$\pm 0.5$

### Spread-Spectrum Dither Rate

The output spread-spectrum dither rate is fixed at  $f_{IN}/832$ .

**Table 2. Dither Rate**

CRSEL	CLKIN RANGE (MHz)	DITHER RATE
0	66 to 134	$f_{IN}/832$
Float	33 to 80	
1	20 to 38	

### Spread-Spectrum Enable

On power-up, the output clock (SSO) remains three-stated until the internal PLL reaches a stable frequency. The  $\overline{\text{SSEN}}$  input can be used to disable the spread-spectrum modulation and to three-state the SSO output. If the  $\overline{\text{SSEN}}$  pin is pulled high, the spread-spectrum modulation is turned off, but the device still uses the internal PLL to generate the clock signal at SSO. If the  $\overline{\text{SSEN}}$  pin is floated, the output is three-stated.

### Applications Information

#### Power-Supply Decoupling

To achieve best results, it is highly recommended that a decoupling capacitor is used on the IC power-supply pins. Typical values of decoupling capacitors are 0.01 $\mu\text{F}$  and 0.1 $\mu\text{F}$ . Use a high-quality, ceramic, surface-mount capacitor, and mount it as close as possible to the  $V_{\text{CC}}$  and GND pins of the IC to minimize lead inductance.

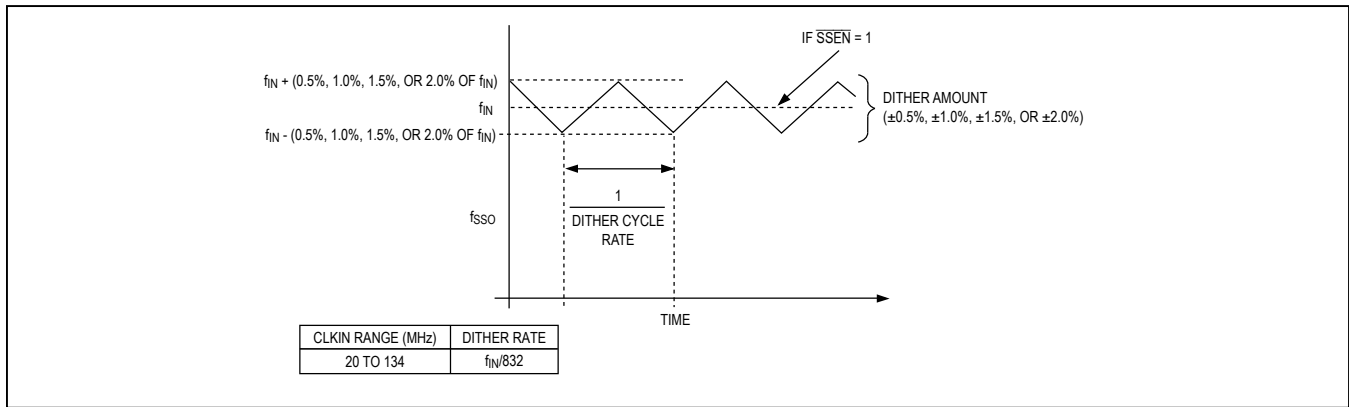
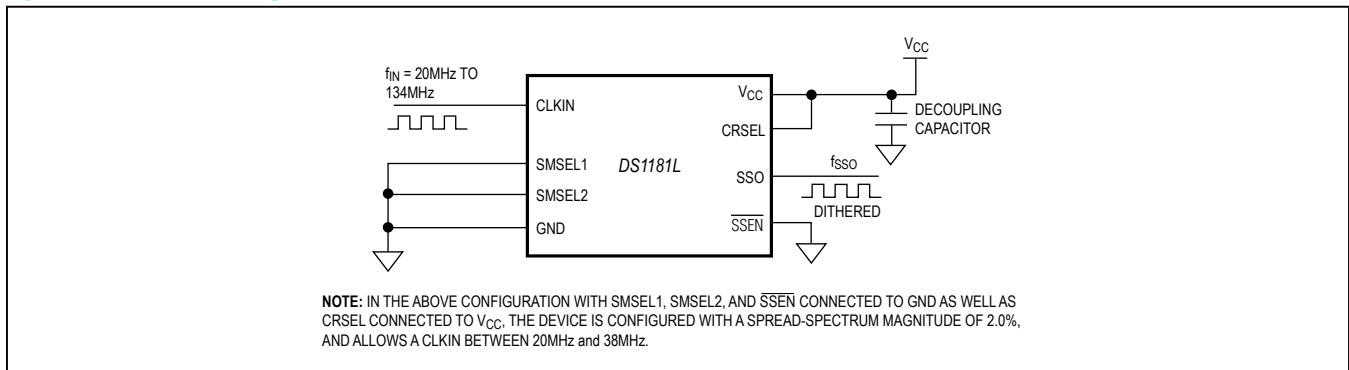


Figure 1. DS1181L Spread-Spectrum Frequency Modulation

### Typical Operating Circuit



### Package Information

For the latest package outline information and land patterns (footprints), go to [www.maximintegrated.com/packages](http://www.maximintegrated.com/packages). Note that a “+”, “#”, or “-” in the package code indicates RoHS status only. Package drawings may show a different suffix character, but the drawing pertains to the package regardless of RoHS status.

PACKAGE TYPE	PACKAGE CODE	DOCUMENT NO.	LAND PATTERN NO.
8 TSSOP	H8+3	<a href="#">21-0175</a>	<a href="#">90-0248</a>

## Revision History

REVISION NUMBER	REVISION DATE	DESCRIPTION	PAGES CHANGED
0	11/07	Initial release.	—
1	8/08	Increased the absolute maximum ratings range from +3.63V to +4.3V.	2
2	2/15	Removed automotive reference from data sheet	1

For pricing, delivery, and ordering information, please contact Maxim Direct at 1-888-629-4642, or visit Maxim Integrated's website at [www.maximintegrated.com](http://www.maximintegrated.com).

*Maxim Integrated cannot assume responsibility for use of any circuitry other than circuitry entirely embodied in a Maxim Integrated product. No circuit patent licenses are implied. Maxim Integrated reserves the right to change the circuitry and specifications without notice at any time. The parametric values (min and max limits) shown in the Electrical Characteristics table are guaranteed. Other parametric values quoted in this data sheet are provided for guidance.*