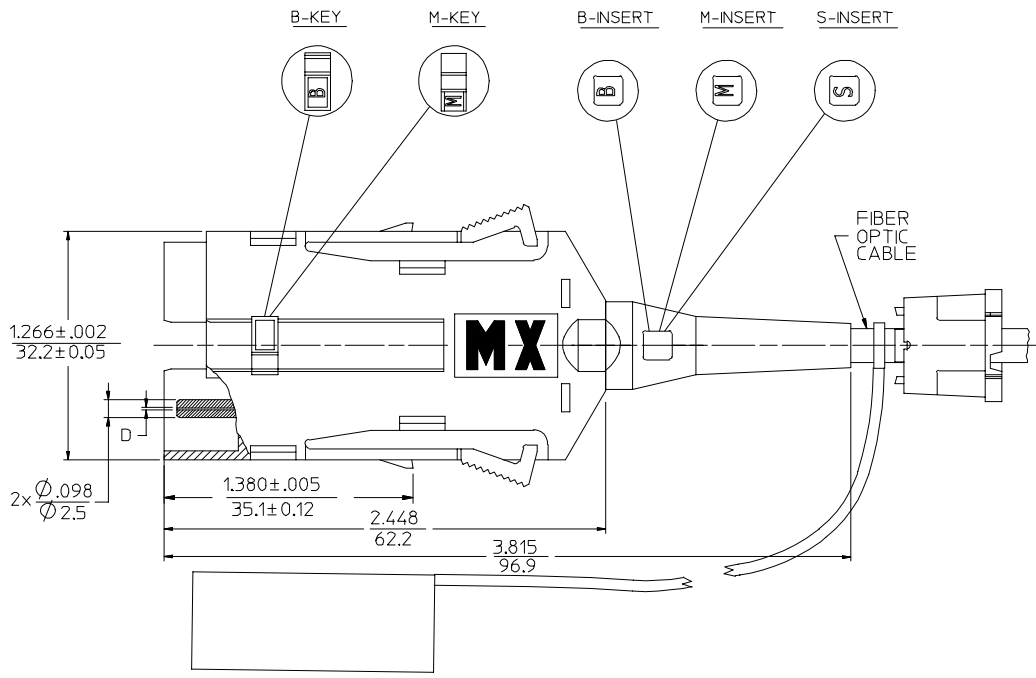
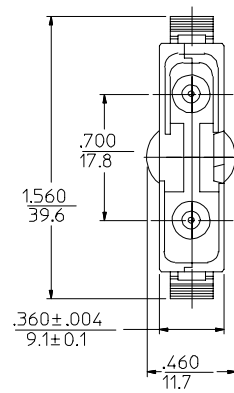


Ø D (4m)	P/N OF CONNECTOR	FERRULE MATERIAL	CONNECTOR COLOR	CABLE TYPE
127	106030-0000	Zr PLUS	BLACK	Ø 4.1 mm NON-PLENUM
	106030-0100			Ø 4.8 mm NON-PLENUM
	106030-0200			ZPCORD
	106030-0210*			MULTIMODE
128	106030-3000	Zr		Ø 4.1 mm NON-PLENUM
	106030-3100			Ø 4.8 mm NON-PLENUM
	106030-3200			ZPCORD



NOTES:  
 1. INSERTS "A", "B" AND "M" SHOULD MATCH KEY TYPES "A", "B" AND "M" RESPECTIVELY. CONNECTOR WITHOUT KEY IS "S" TYPE, AND SHOULD HAVE S-INSERT. ORIENTATION OF KEYS AND INSERTS IS AS PER DRAWING.  
 2. P/N 106030-0210 IS BULK PACKED IN QUANTITIES OF 100 PCS.

ENTER DESCRIPTION EC NO: MF2006-0424 DRAWN/RPAC IFC I 2006/01/24 CHKD: 2006/01/24 APPR: JGUMIN 2006/01/24 REVISIONS	QUALITY SYMBOLS = 0 = 0	GENERAL TOLERANCES (UNLESS SPECIFIED) <table border="1"> <thead> <tr> <th></th> <th>mm</th> <th>INCH</th> </tr> </thead> <tbody> <tr> <td>4 PLACES</td> <td>± .125</td> <td>± .005</td> </tr> <tr> <td>3 PLACES</td> <td>± .150</td> <td>± .006</td> </tr> <tr> <td>2 PLACES</td> <td>± .180</td> <td>± .007</td> </tr> <tr> <td>1 PLACE</td> <td>± .250</td> <td>± .010</td> </tr> </tbody> </table>		mm	INCH	4 PLACES	± .125	± .005	3 PLACES	± .150	± .006	2 PLACES	± .180	± .007	1 PLACE	± .250	± .010	DIMENSION STYLE IN/MM	SCALE 2:1	DESIGN UNITS INCH	THIRD ANGLE PROJECTION
		mm	INCH																		
4 PLACES	± .125	± .005																			
3 PLACES	± .150	± .006																			
2 PLACES	± .180	± .007																			
1 PLACE	± .250	± .010																			
DRAWN BY RPAC IFC I	DATE 2005/12/22	CHECKED BY DATE	APPROVED BY DATE	MATERIAL NO. SEE TABLE	DOCUMENT NO. SD-106030-XX00	SHEET NO. 1 OF 01															

DRAFT WHERE APPLICABLE MUST REMAIN WITHIN DIMENSIONS

THIS DRAWING CONTAINS INFORMATION THAT IS PROPRIETARY TO MOLEX INCORPORATED AND SHOULD NOT BE USED WITHOUT WRITTEN PERMISSION