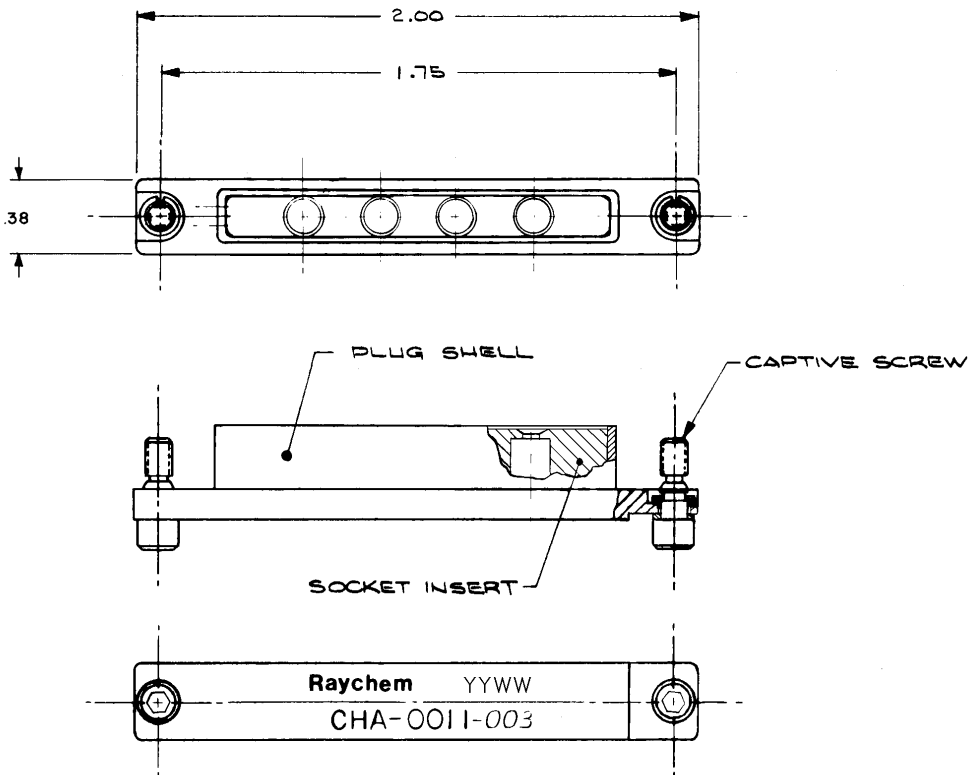


REVISIONS

LTR	DESCRIPTION	DATE	APPROVED
B	CREATED ELECTRONIC FILE PER DCR# T-28453	1/12/2001	M.HIGGY



NOTES:

- SEALING:  
PROTECTIVE CAP DESIGNED TO ENVIRONMENTALLY SEAL THE MATING RECEPTACLE CONNECTOR, 1" MTC COAX SERIES WITH PIN CONTACTS.
- MATERIALS AND FINISHES:  
PLUG SHELL: ALUMINUM ALLOY PER QQ-A-591 OR QQ-A-255. CADMIUM PLATE PER QQ-P-416.  
SOCKET INSERT: HARD PLASTIC PER MIL-M-14 TYPE MFH.  
CAPTIVE SCREW: STAINLESS STEEL PER QQ-S-766, CADMIUM PLATE PER QQ-P-416 OVER NICKEL

UNDERPLATE.

If this document is printed it becomes uncontrolled.  
Check with the web for latest revision.

SPECIFICATION CONTROL DRAWING

UNLESS OTHERWISE SPECIFIED DIMENSIONS ARE IN INCHES. METRIC DIMENSIONS ARE IN BRACKETS.	DRAWN	LUTTICKEN	DATE	<i>Raychem Interconnect</i> a division of TYCO ELECTRONICS 307 CONSTITUTION DRIVE MENLO PARK, CALIFORNIA 94025			
	CHECKED		DATE				
	APPROVED	J. BLAIR	DATE 2/19/86				
	APPROVED		DATE				
DECIMALS .XXX ±	}	mm	CAD NAME	TITLE PROTECTIVE CAP, PLUG WITH SOCKET INSERT 1 INCH MTC COAX SERIES (CADMIUM PLATED)			
.XX ± .01			T28453.TIF				
ANGLES .X ±			SIZE		CODE IDENT. NO.	DWG. NO.	REV
WEIGHT lbs { g}	THIRD ANGLE PROJECTION		A		06090	CHA-0011-003	B
				DO NOT SCALE THIS DRAWING		SHEET 1 OF 1	