


## VS-25-BU-DSUB-EG

Order No.: 1689909



<http://eshop.phoenixcontact.de/phoenix/treeViewClick.do?UID=1689909>

D-SUB contact insert, shell size 3, with 25 signal contacts, contact type socket, with solder cup, straight, fixing with a 3 mm hole, for panel mounting frame and sleeve housing VS-25-...

Commercial data	
GTIN (EAN)	 4 017918 914301
sales group	D501
Pack	10 pcs.
Customs tariff	85369010
Catalog page information	Page 319 (PC-2009)

### Product notes

WEEE/RoHS-compliant since:  
09/19/2006



<http://www.download.phoenixcontact.com>  
Please note that the data given here has been taken from the online catalog. For comprehensive information and data, please refer to the user documentation. The General Terms and Conditions of Use apply to Internet downloads.

Technical data	
<b>Mechanical characteristics</b>	
Number of positions	25
Insertion/withdrawal cycles	≥ 200
Type of connection	Solder cup
Conductor cross-section	0.5 mm <sup>2</sup>

Connection cross-section AWG	20
Insertion force per signal contact	≤ 3.40 N
Ambient temperature (operation)	-55 °C ... 125 °C

**Material data**

Inflammability class acc. to UL 94	V0
Housing material	Steel, yellow chromated
Contact carrier material	Polyester GF
Contact material	Copper alloy
Contact surface material	Hard gold-plated over nickel

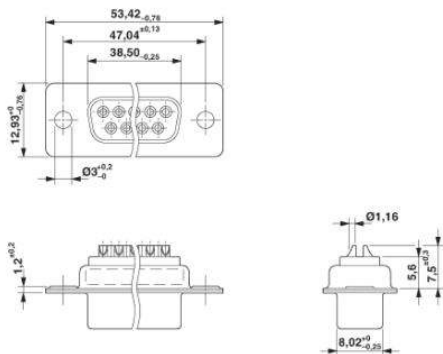
**Electrical characteristics**

Rated voltage (III/3)	125 V
Rated surge voltage	1 kV
Rated current	5 A

**Diagrams/Drawings**

Dimensioned drawing

D-SUB contact insert



**Address**

PHOENIX CONTACT Deutschland GmbH  
Flachmarktstr. 8  
32825 Blomberg, Germany  
Phone +49 5235 3 12000  
Fax +49 5235 3 41200  
<http://www.phoenixcontact.de>



© 2011 Phoenix Contact  
Technical modifications reserved;