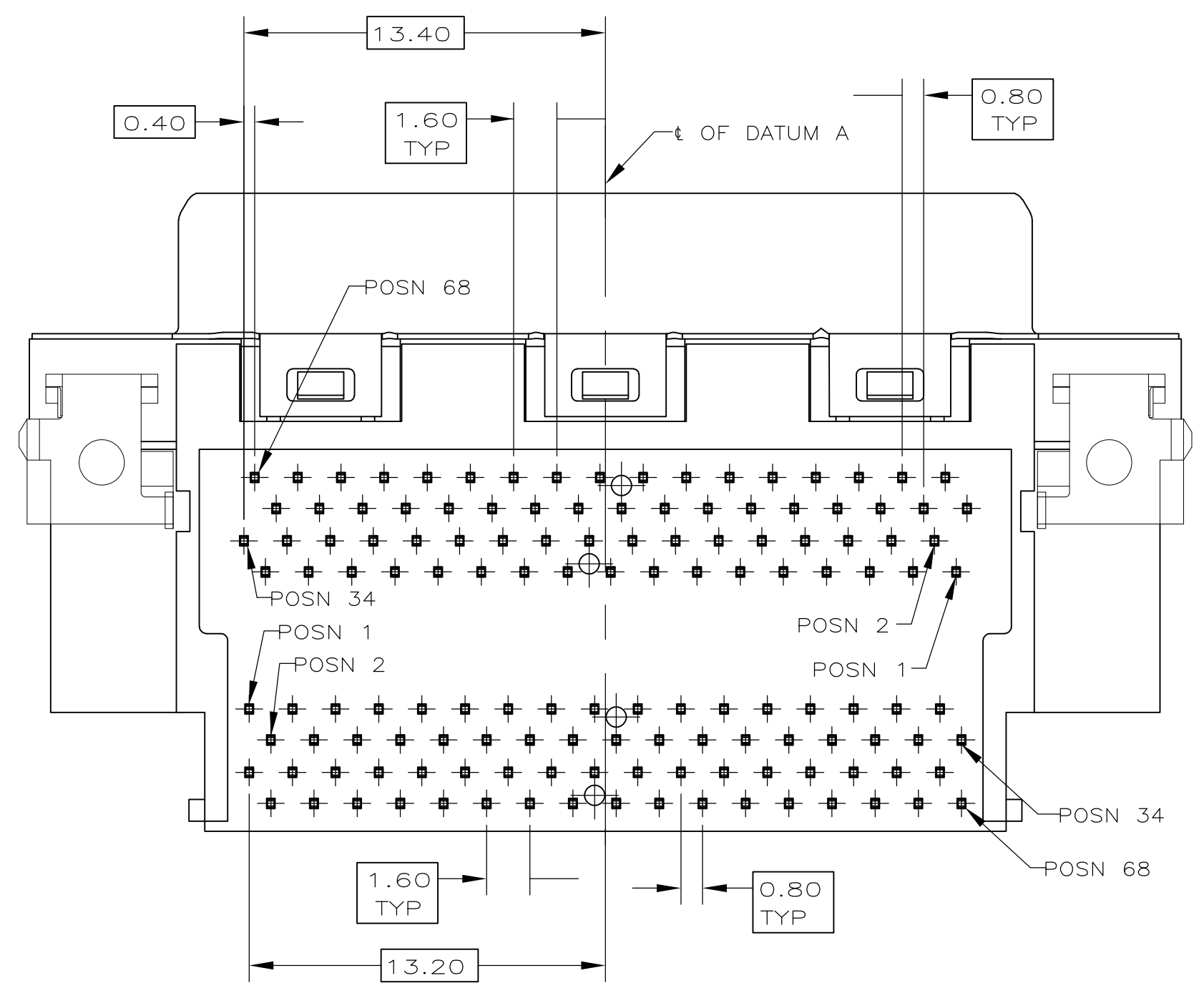
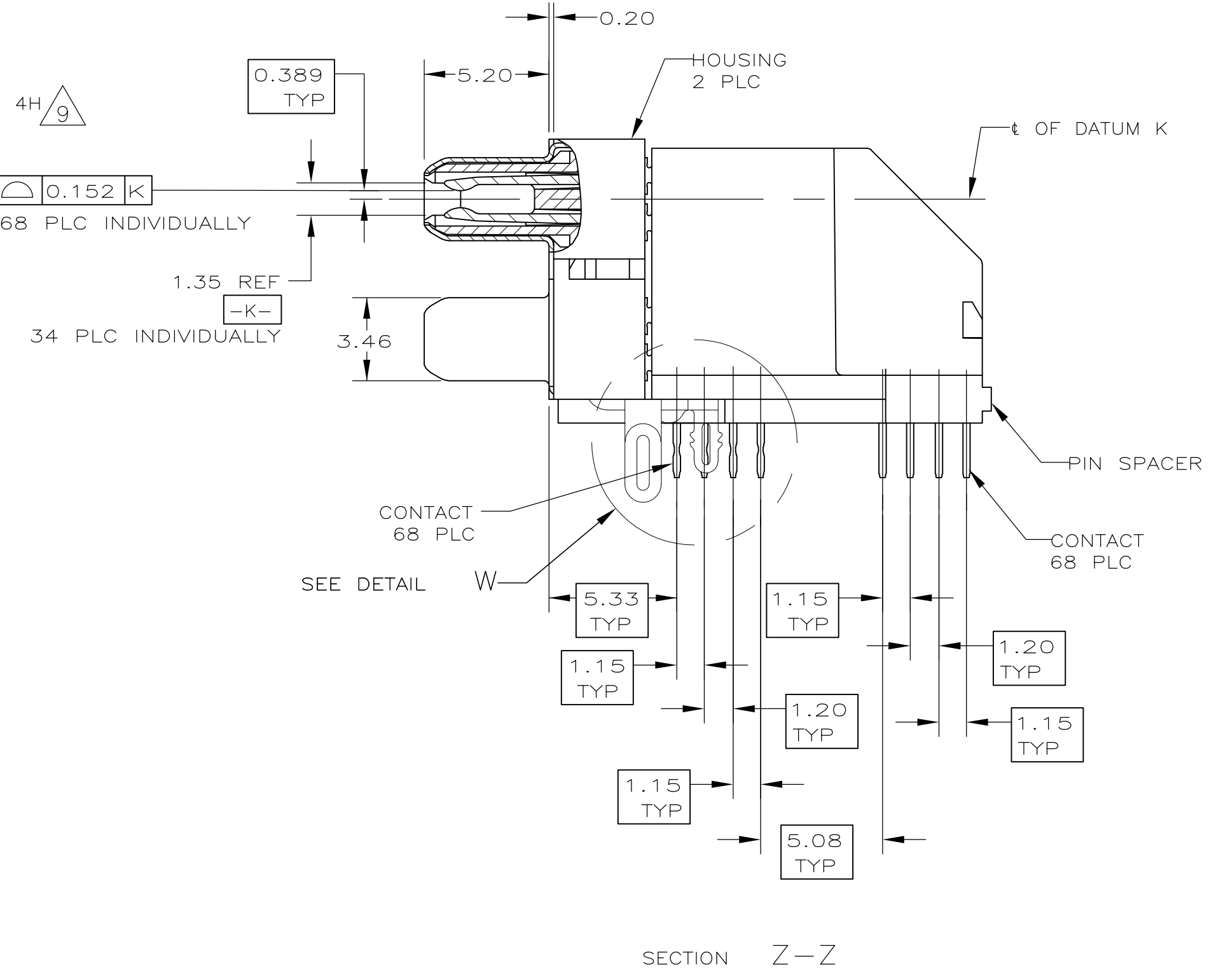
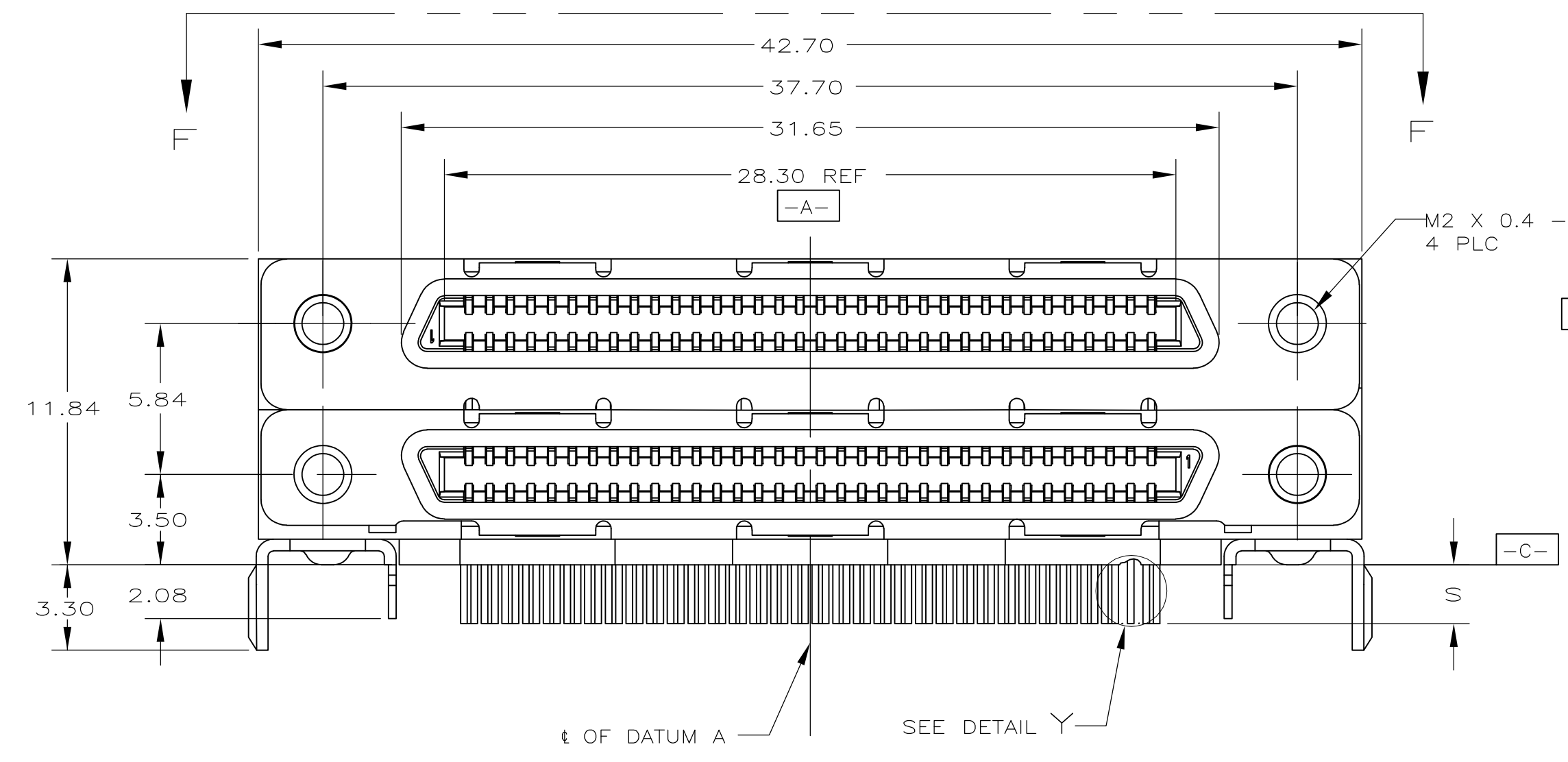


THIS DRAWING IS UNPUBLISHED. RELEASED FOR PUBLICATION
 © COPYRIGHT BY TYCO ELECTRONICS CORPORATION. ALL INTERNATIONAL RIGHTS RESERVED.

LOC		DIST		REVISIONS			
P	LTR	DESCRIPTION		DATE	DWN	APVD	
GP	00	T	REVISED PER ECO-09-001695		7FEB2009	ZMREDB	

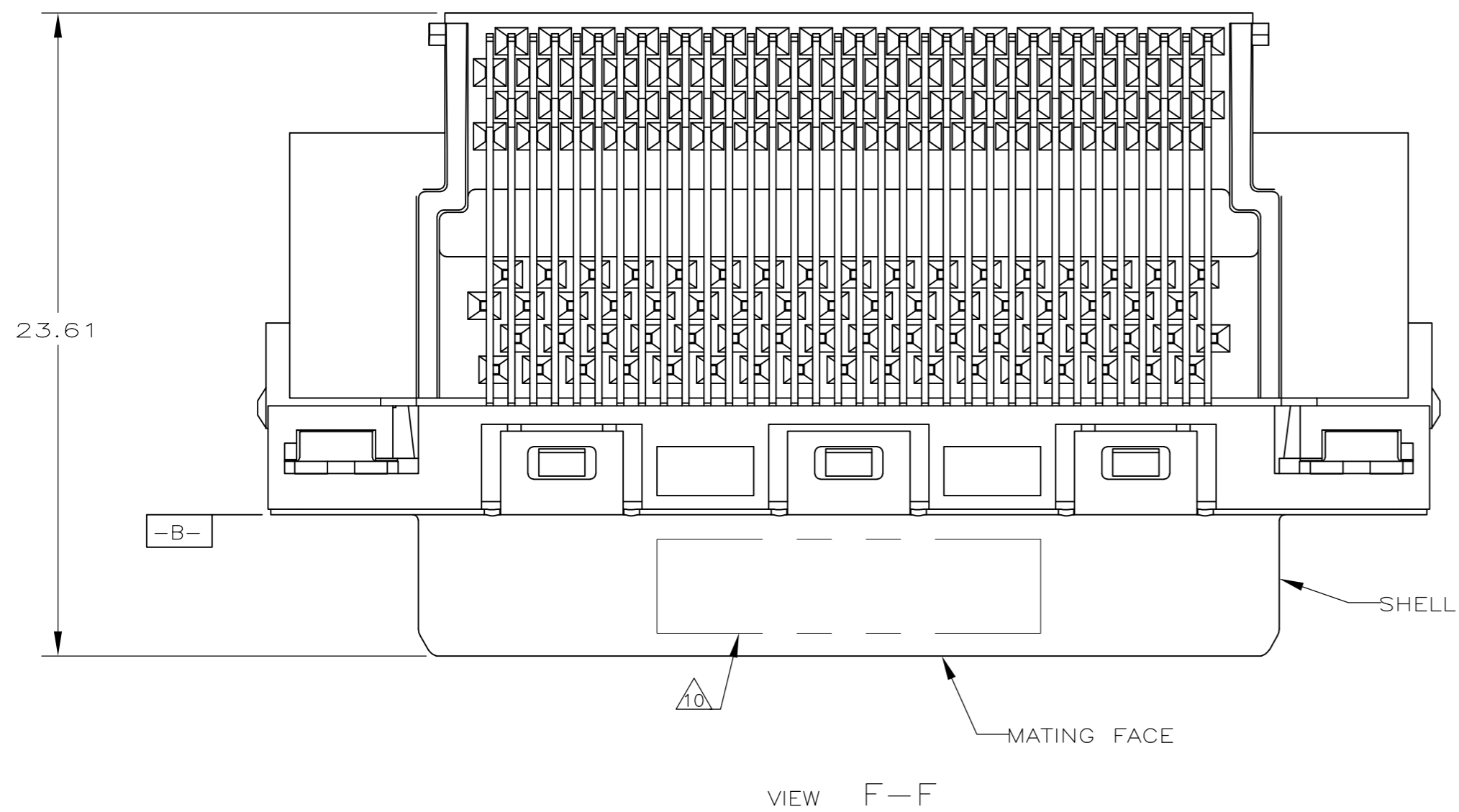


8	3.55	787962-2
3	2.27	787962-1
REMARKS	S	PART NUMBER

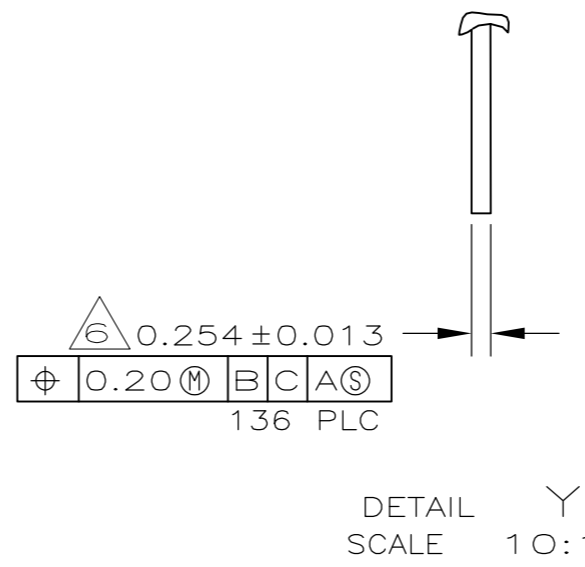
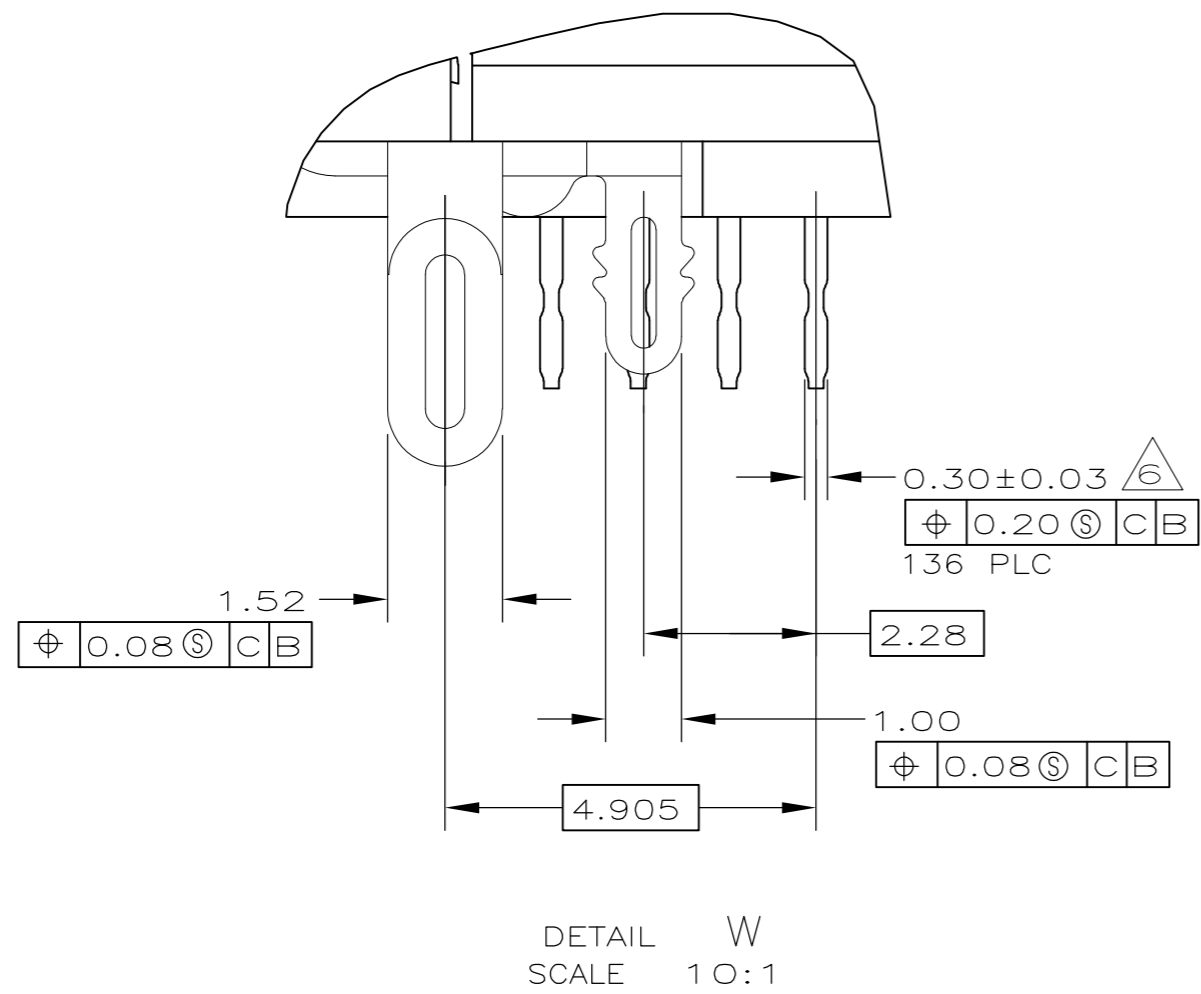
THIS DRAWING IS A CONTROLLED DOCUMENT.		DWN T.SHUEY 09MAR05	Tyco Electronics Corporation Harrisburg, PA 17105-3608	
DIMENSIONS: mm		CHK J.GERACE 09MAR05	NAME	
TOLERANCES UNLESS OTHERWISE SPECIFIED:		APVD M.WALMSLEY 09MAR05	RECEPTACLE ASSEMBLY, 68 POSITION, STACKED, RIGHT ANGLE, CHAMP 0.8mm	
0 PLC ± -	1 PLC ± -	PRODUCT SPEC	SIZE A2	CAGE CODE 00779
2 PLC ± 0.13	3 PLC ± -	APPLICATION SPEC	DRAWING NO C=787962	RESTRICTED TO
4 PLC ± -	ANGLES ± 1'	FINISH	SCALE 5:1	SHEET 1 of 3
MATERIAL 1	FINISH 2	WEIGHT -	CUSTOMER DRAWING	REV T

THIS DRAWING IS UNPUBLISHED. RELEASED FOR PUBLICATION
 © COPYRIGHT BY TYCO ELECTRONICS CORPORATION. ALL INTERNATIONAL RIGHTS RESERVED.

LOC	DIST	REVISIONS			
P	LTR	DESCRIPTION	DATE	DWN	APVD
GP	00	SEE SHEET 1	-	-	-



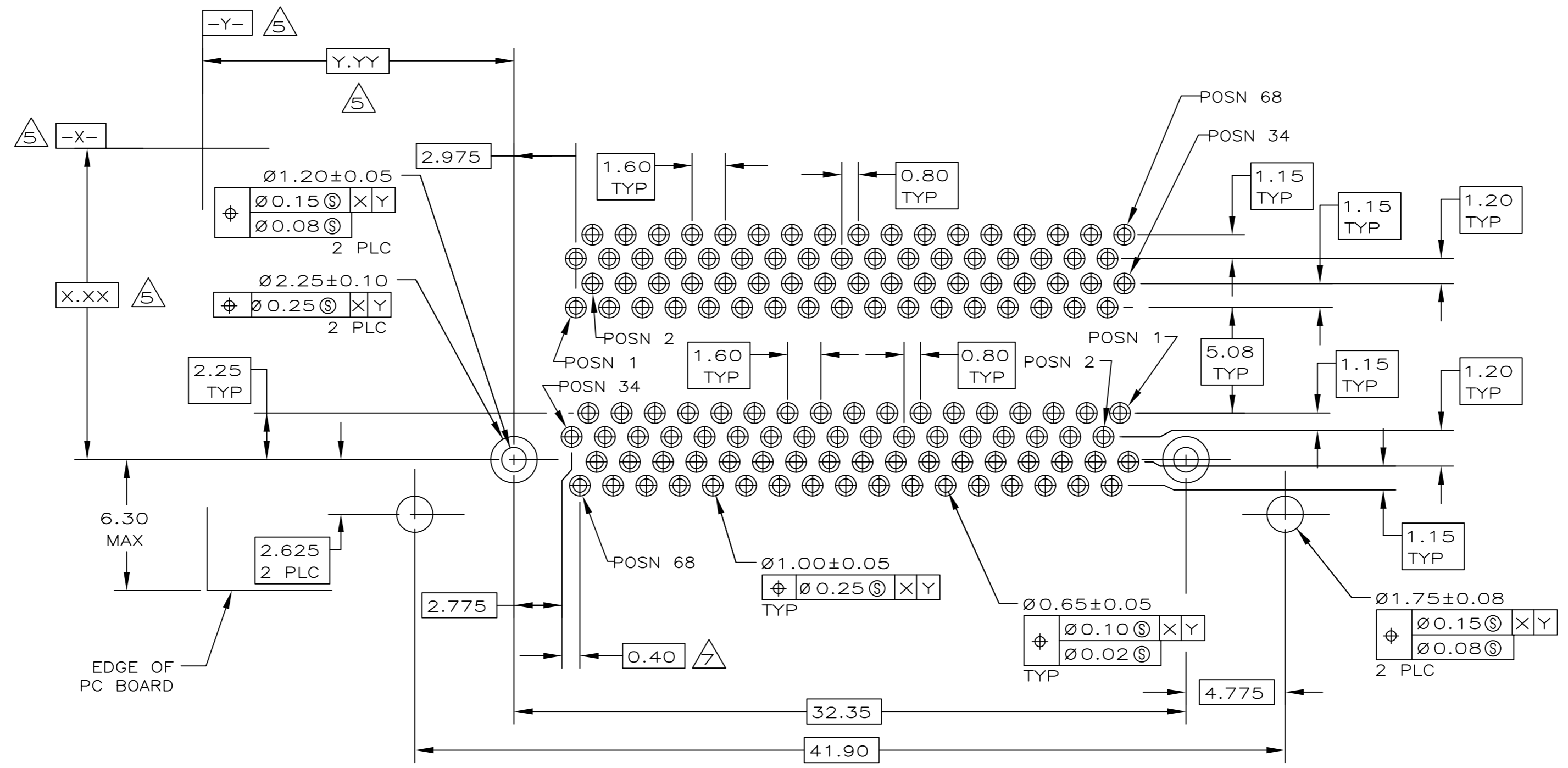
- 1 MOLDING PARTS: THERMOPLASTIC, BLACK, UL 94V-0 RATED.
SHELL: CARBON STEEL.
CONTACTS: PHOSPHOR BRONZE.
BRACKETS: STEEL.
- 2 SHELL: 5.08µm MIN NICKEL OVER 2.54µm MIN COPPER.
CONTACTS: 0.76µm MIN GOLD ON MATING END, 3.75µm MIN TIN-LEAD ON SOLDER TAILS, BOTH OVER 1.27µm MIN NICKEL OVER ENTIRE CONTACT.
BRACKETS: TIN PLATED.
- 3 CONTACTS DESIGNED FOR USE ON 1.60±0.15 THICK PC BOARD WITH PLATED THRU MOUNTING HOLES.
- 4 RECEPTACLE ASSEMBLY DESIGNED FOR USE WITH 1.12±0.08 THICK PANEL.
- 5 DATUMS AND DIMENSIONS ESTABLISHED BY CUSTOMER.
- 6 POSITION TOLERANCE APPLIES AT CONTACT TIP ONLY.
- 7 OFFSET DIMENSION APPLIES TO LOWER FOOTPRINT ONLY.
- 8 CONTACTS DESIGNED FOR USE ON 2.35±0.15 THICK PC BOARD WITH PLATED THRU MOUNTING HOLES.
- 9 MAXIMUM TORQUE 0.45 N-M.
- 10 DATE CODE MARKED IN APPROXIMATE AREA SHOWN.



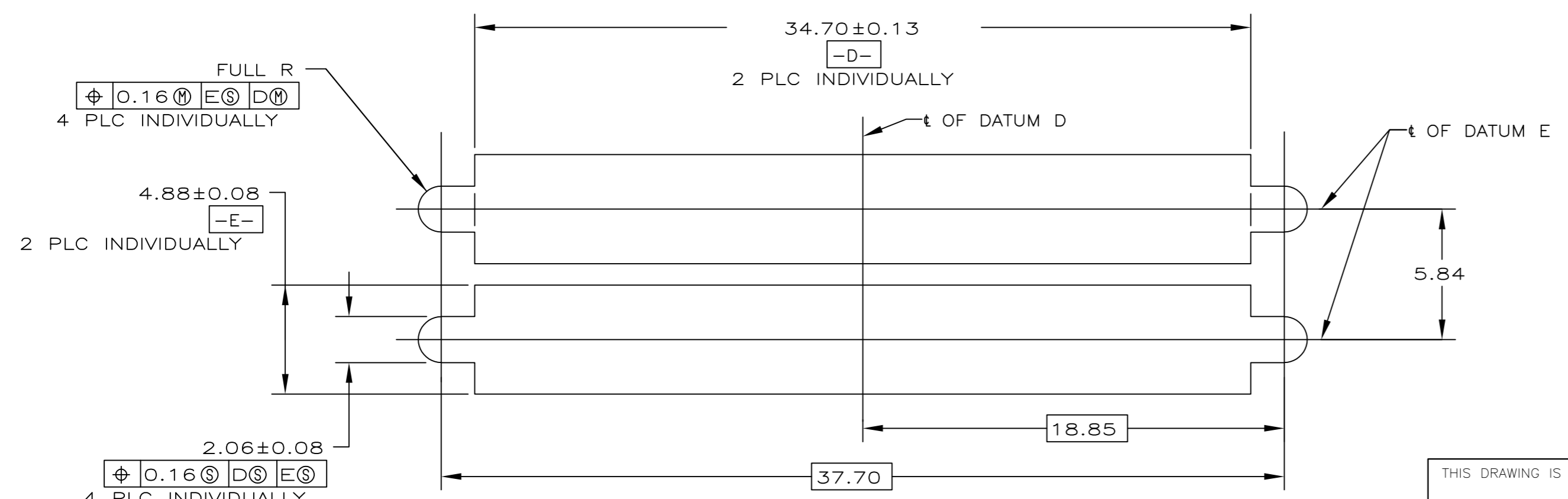
THIS DRAWING IS A CONTROLLED DOCUMENT.		DWN T.SHUEY 09MAR05	Tyco Electronics Corporation Harrisburg, PA 17105-3608	
DIMENSIONS: mm		CHK J.GERACE 09MAR05	NAME RECEPTACLE ASSEMBLY, 68 POSITION, STACKED, RIGHT ANGLE, CHAMP 0.8mm	
TOLERANCES UNLESS OTHERWISE SPECIFIED: 0 PLC ± - 1 PLC ± - 2 PLC ± 0.13 3 PLC ± - 4 PLC ± - ANGLES ± 1°		APVD M.WALMSLEY 09MAR05	SIZE A2 CAGE CODE 00779 C=787962 DRAWING NO. RESTRICTED TO	
MATERIAL - FINISH -		PRODUCT SPEC - APPLICATION SPEC - WEIGHT -	SCALE 5:1 SHEET 2 OF 3 REV T	
		CUSTOMER DRAWING		

THIS DRAWING IS UNPUBLISHED. RELEASED FOR PUBLICATION
 © COPYRIGHT BY TYCO ELECTRONICS CORPORATION. ALL INTERNATIONAL RIGHTS RESERVED.

LOC	DIST	REVISIONS					
GP	00	P	LTR	DESCRIPTION	DATE	DWN	APVD
		-		SEE SHEET 1	-	-	-



PC BOARD MOUNTING DIMENSIONS $\triangle 3$
 SCALE 5:1



PANEL CUT-OUT DIMENSIONS $\triangle 4$
 SCALE 5:1

THIS DRAWING IS A CONTROLLED DOCUMENT.		DWN	T.SHUEY	09MAR05	Tyco Electronics Corporation Harrisburg, PA 17105-3608
DIMENSIONS:		CHK	J.GERACE	09MAR05	
mm		APVD	M.WALMSLEY	09MAR05	
		PRODUCT SPEC		NAME	
TOLERANCES UNLESS OTHERWISE SPECIFIED:		APPLICATION SPEC		RECEPTACLE ASSEMBLY, 68 POSITION, STACKED, RIGHT ANGLE, CHAMP 0.8mm	
0 PLC ± -		WEIGHT		SIZE	
1 PLC ± -		-		CAGE CODE	
2 PLC ± 0.13		-		DRAWING NO	
3 PLC ± -		-		A2 00779	
4 PLC ± -		-		C=787962	
ANGLES ± 1°		-		RESTRICTED TO	
FINISH		-		-	
MATERIAL		-		SCALE 5:1	
-		-		SHEET 3 OF 3	
-		-		REV T	