

All components used in this connector conform to RoHS standards.



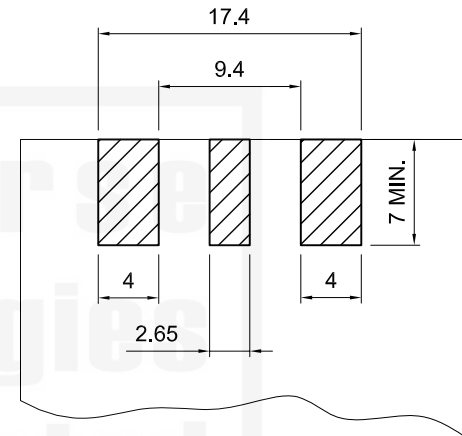
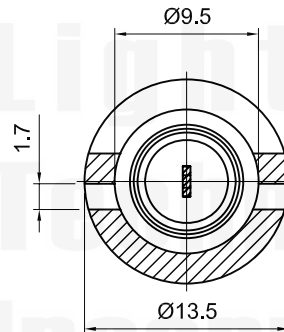
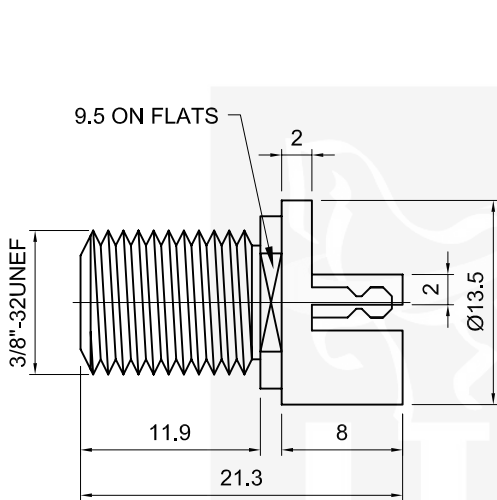
Tolerances

- 1-20=+/-0.2
- 20-30=+/-0.3
- 30-40=+/-0.4
- 40-50=+/-0.5
- 50-100=+/-0.75
- 100-300=+/-1.5
- Angles=+/-1

Dimensions are in Millimeters

Revisions Description/Approved/Date	Approved M.H.	Date 7/8/04
	Checked M.H.	Date 7/8/04
	Drawn K.R.E.	Date 7/8/04
NOTES (plating thickness in micro-inches):	5. Per MIL-P-19468	9. Nickel pl. 100 min. over copper strike
1. Per QQ-B-626	6. Per ZZ-R-765	10. Per QQ-P-35
2. Per QQ-S-764	7. Per WW-T-799	11. Gold pl. 5 min. over nickel pl. 50 min. over copper strike
3. Per QQ-C-530	8. Gold pl. 5 min. over nickel pl. 50 min. over copper strike	
4. Per QQ-B-750		

Approved by:
Date:



PCB FOOTPRINT RECOMMENDATION

ITEM	MATERIAL	FINISH
Connector Body	Brass, Note 1	Nickel, Note 9
Center Contact: F	BeCu, Note 3	Gold, Note 11
Insulation	Teflon, Note 5	None
Ferrule	--	--
Gasket	--	--
Hex Nut	--	--
Lock Washer	--	--

Lighthouse Technologies, Inc.

9511 Ridgehaven Court, Suite B
San Diego, CA 92123

Part Number:
LTI-FSF55NGT

Description		
F Series, End Launch Jack , Nickel Plated Brass		
Teflon Dielectric, Gold Plated Center conductor.		
Scale	Drawing No.	File Name
2:1	FSF55NGT	FSF55NGT