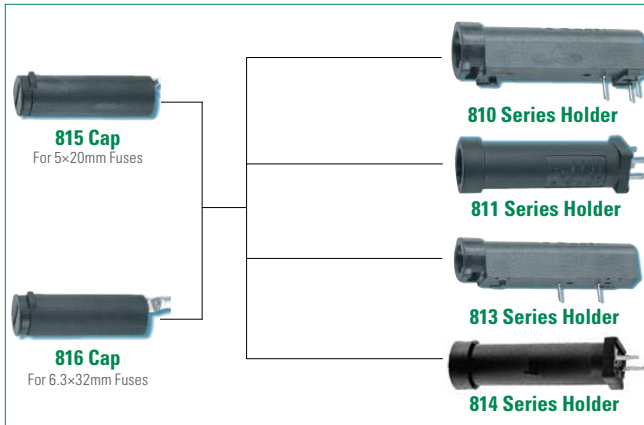
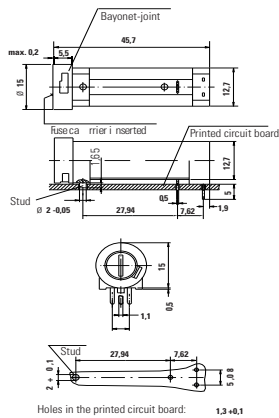


810/811/813/814 Series Circuit Board Mount Enclosed Fuse Holders

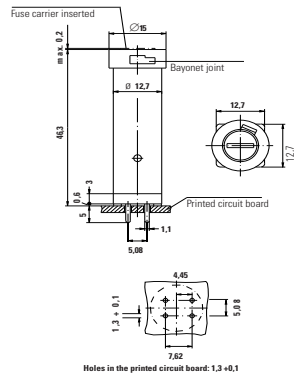


**Dimensions**

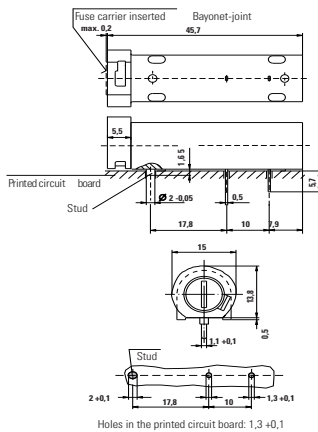
**810 Series**



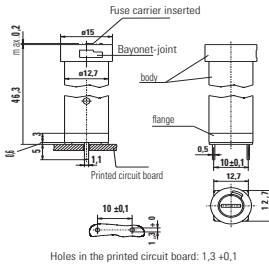
**811 Series**



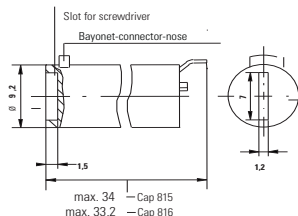
**813 Series**



**814 Series**



**815/816 Series**



**Product Characteristics**

	810 Series	811 Series	813 Series	814 Series
<b>Compatible Fuse Types</b>	5x20mm 6.3x32mm	5x20mm 6.3x32mm	5x20mm 6.3x32mm	5x20mm 6.3x32mm
<b>Materials</b>	<b>Holder/Cap:</b> Black Thermoplastic, UL94 V-0 <b>Metal Parts:</b> Copper alloy, corrosion protected <b>Terminals:</b> Solderable, tinned			
<b>Electrical Data (23°C)</b>	<b>Rated Voltage:</b> 250V <b>Rated Current:</b> 6.3A (VDE) 16A (UL/CSA)			
	<b>Rated Power:</b> 2.5W (VDE)	<b>Rated Power:</b> 1.6W (813+815-VDE) 2.5W (813+816-VDE)	<b>Rated Power:</b> 1.6W (814+815-VDE) 2.5W (814+816-VDE)	
<b>Mounting</b>	(3) Solder pins 0.5mm × 1.1mm and plastic stud. The pins spaced at 5.08mm form a common connection.	(4) Solder pins 0.5mm × 1.1mm The pins spaced at 5.08mm form a common connection.	(2) Solder pins 0.5mm × 1.1mm and plastic stud	(2) Solder pins 0.5mm × 1.1mm
<b>Protection Class &amp; Category</b>	IP 40 (IEC 60529) PC2 (IEC 60127-6)			
<b>Operating Temperature</b>	-25 °C to 70 °C			
<b>Climatic Test</b>	-25°C/+70°C/21 days (IEC 60068-2-1...3)			
<b>Stock Conditions</b>	+10°C to +60°C relative humidity ≤ 75% yearly average, without dew, maximum value for 30 days - 95%			
<b>Vibration Resistance</b>	24 cycles at 15 min. each (IEC 60068-2-6) 10 - 60Hz at 0.75mm amplitude 60 - 2000Hz at 10g acceleration			
<b>Contact Resistance</b>	≤ 5mΩ			
<b>Dielectric Strength</b>	> 1.5 kV			
<b>Impulse Voltage</b>	4 kV, 50 Hz, 1 min., dry			
<b>Insulation Resistance</b>	> 10 <sup>9</sup> MΩ (500 VDC, 1 min.)			
<b>Solderability</b>	235°C, 3 sec. (Wave) 350°C, 1 sec. (Soldering Iron)			
<b>Soldering Heat Resistance</b>	260°C, 5 sec. (IEC 60068-2-20)			
<b>Min Cross Section</b>	Conducting path - 0.2mm <sup>2</sup>			
<b>Marking</b>	810, 250V, Approvals	811, 250V, Approvals	813, 250V, Approvals	814, 250V, Approvals
<b>Unit Weight</b>	5.4g (Holder) / 2.5g (Cap)	5.2g (Holder) / 2.5g (Cap)	5.8g (Holder) / 2.5g (Cap)	4.6g (Holder) / 25g (Cap)

Note: Refer to Fuseology for information on proper fuseholder re-rating

**Dimensions**

Agency	Part Number			
	810	811	813	814
	Agency File Number			
	118611	120642	118349	118347
	E70164			
	47574			

## Ordering Information

Description	Ordering Number	Packaging
Cap, 5x20 mm	81500000005	Bulk 100
Cap, 6.3x32 mm	81600000005	Bulk 100
810 Series Holder	81000000005	Bulk 100
811 Series Holder	81100000005	Bulk 100
813 Series Holder	81300000005	Bulk 100
814 Series Holder	81400000005	Bulk 100

## Additional Information



**Datasheet  
810 Series**



**Datasheet  
811 Series**



**Datasheet  
813 Series**



**Datasheet  
814 Series**



**Resources  
810 Series**



**Resources  
811 Series**



**Resources  
813 Series**



**Resources  
814 Series**



**Samples  
810 Series**



**Samples  
811 Series**



**Samples  
813 Series**



**Samples  
814 Series**