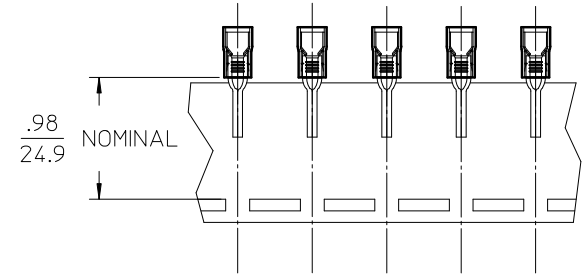
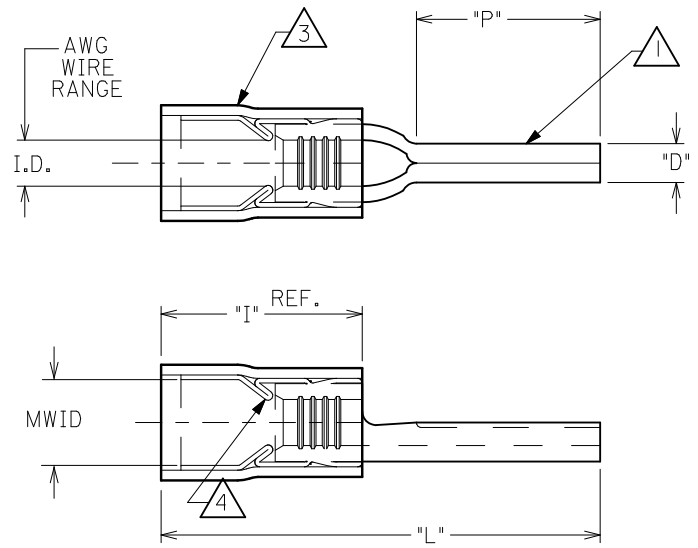


| 10                       | 9                    | 8                         | 7                    | 6                     | 5                      | 4                  | 3                         | 2         | 1                |                           |
|--------------------------|----------------------|---------------------------|----------------------|-----------------------|------------------------|--------------------|---------------------------|-----------|------------------|---------------------------|
| LOOSE PC MATERIAL NUMBER | ENGINEERING PART NO. | TAPE MNTD MATERIAL NUMBER | ENGINEERING PART NO. | AWG WIRE RANGE "I.D." | OVERALL LENGTH "L" MAX | PIN LENGTH "P" MIN | PIN DIAMETER "D" ±.01/0.3 | MWID      | INSULATION COLOR | LENGTH INSULATION "I" MAX |
| 192130009                | WP-82 I8             | 192130010                 | WP-82 I8 T           | 22-18                 | .91/23.1               | .35/8.9            | .078/1.98                 | .140/3.56 | RED              | .42/10.7                  |
| 192130011                | WP-86 I4             | 192130012                 | WP-86 I4 T           | 16-14                 | .92/23.4               | .35/8.9            | .078/1.98                 | .170/4.32 | BLUE             | .42/10.7                  |
| 192130007                | WP-82 I0             | 192130008                 | WP-82 I0 T           | 12-10                 | 1.13/28.7              | .41/10.4           | .107/2.72                 | .225/5.72 | YELLOW           | .57/14.5                  |

(A)

(A) (A) (A)



NOTES:

- 1. TERMINAL MATERIAL: COPPER
- 2. TERMINAL PLATING: TIN
- 3. INSULATION MAT'L: EXTRUDED NYLON
- 4. FUNNEL ENTRY FERRULE: TIN PLATED COPPER ALLOY
- 5. MWID=MAXIMUM WIRE INSULATION DIAMETER
- 6. PARTS ARE ROHS COMPLIANT

|   |                                |  |       |   |                    |                              |   |                        |  |  |
|---|--------------------------------|--|-------|---|--------------------|------------------------------|---|------------------------|--|--|
| <b>REDRAW, REV TOLS</b><br>EC NO: WNA2009-0437<br>DRW:ETHRODAHL 2010/03/01<br>CHKD:JMACNEIL 1992/10/08<br>APPR:JMACNEIL 2010/03/18<br>A | QUALITY SYMBOLS<br>▽=0<br>▽7=0 | GENERAL TOLERANCES (UNLESS SPECIFIED)                |       | DIMENSION STYLE<br>IN/MM  |                    | SCALE<br>---                 | DESIGN UNITS<br>INCH                                    | THIRD ANGLE PROJECTION |  |  |
|   |                                | 4 PLACES   | ± --- | ± ---   | DRAWN BY           | DATE                         | TITLE<br><b>AVIKRIMP WIRE PIN TERMINALS, 800 SERIES</b> |                        |  |  |
|   |                                | 3 PLACES   | ± --- | ± ---   | EMF                | 1992/10/08                   |   |                        |  |  |
|   |                                | 2 PLACES   | ± --- | ± ---   | CHECKED BY         | DATE                         | MOLEX INCORPORATED                                      |                        |  |  |
| 1 PLACE   | ± ---                          | ± ---  | JM    | 1992/10/08  |                    |                              |   |                        |  |  |
| ANGULAR ± ---°  |                                | DRAFT WHERE APPLICABLE MUST REMAIN WITHIN DIMENSIONS |       | APPROVED BY<br>JMACNEIL   | DATE<br>2010/03/18 | DOCUMENT NO.<br>SD-19213-002 |   | SHEET NO.<br>1 OF 1    |  |  |
| SEE CHART   |                                |  |       | THIS DRAWING CONTAINS INFORMATION THAT IS PROPRIETARY TO MOLEX INCORPORATED AND SHOULD NOT BE USED WITHOUT WRITTEN PERMISSION |                    |                              |   |                        |  |  |