

NOTES:

1. MATERIALS AND FINISHES:

BODY - BRASS, NICKEL PLATING
 CONTACT - PHOSPHOR BRONZE, GOLD PLATING
 INSULATOR - PTFE, NATURAL
 TNC RING - DELRIN, NATURAL
 SMA RETAINER RING - SUS 304, NATURAL
 GASKET - SILICONE RUBBER, RED

2. ELECTRICAL:

A. IMPEDANCE: 50 OHM, NOMINAL
 B. FREQUENCY RANGE: 0-11 GHZ
 C. VSWR (RETURN LOSS): 1.300 (-17.7 dB) MAX.
 D. D.W.V: 750 VRMS, MIN.

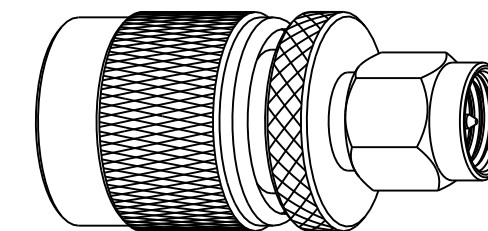
3. MECHANICAL:

A. DURABILITY: 500 CYCLES MIN.
 B. TEMPERATURE RANGE: -40°C TO +85°C

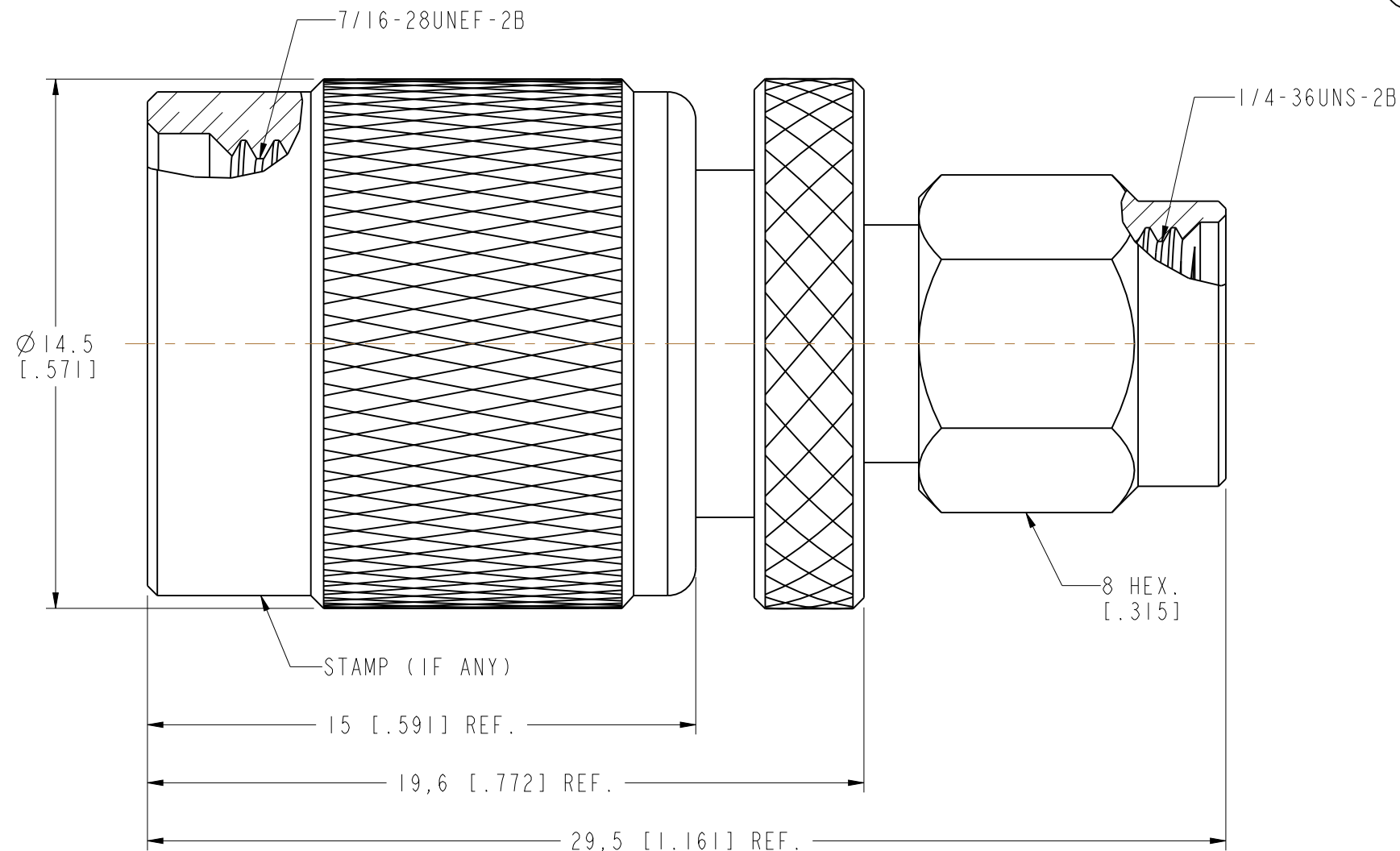
THIRD ANGLE PROJ.

REVISIONS

REV	DESCRIPTION	DATE	ECO	APPR
NC	INITIAL RELEASE	24-Jul-08	-----	GRS
A	REDRAWN IN PRO-E, UPDATED NOTES	04-Aug-14	2785	MZ/BG



SCALE 2.000



CUSTOMER OUTLINE DRAWING

ALL OTHER SHEETS ARE FOR INTERNAL USE ONLY

UNLESS OTHERWISE SPECIFIED, DIMENSIONS ARE IN METRIC AND TOLERANCES ARE:
 <0.5mm ±0.05mm 0.5 - 6mm ±0.1mm 6 - 30mm ±0.2mm 30 - 120mm ±0.3mm ANGLES ±1°

NOTICE - These drawings, specifications, or other data (1) are, and remain the property of Amphenol corp. (2) must be returned upon request; and (3) are confidential and not to be disclosed to any person other than those to whom they are given by Amphenol Corp. the furnishing of these drawings, specifications, or other data by Amphenol Corp., or to any other person to anyone for any purpose is not to be regarded by implication or otherwise in any manner licensing, granting rights to permitting such holder or any other person to manufacture, use or sell any product, process or design, patented or otherwise, that may in any way be related to or disclosed by said drawings, specifications, or other data.

MATERIAL	DRAWN M. ZHANG	DATE 04-Aug-14	TITLE SMA PLUG TO TNC R/P PLUG ADAPTER		Amphenol Connex	
REFERENCE	ENGINEER S. DUAN	DATE 04-Aug-14				
CONFIGURATION LEVEL: In Work	APPROVED S. HSIEH	DATE 04-Aug-14	SCALE: 6.0:1.0	SHEET 3 OF 3	DRAWING NO.	
FINISH	CAD FILE		DWG SIZE B	REV A	ITEM NO.	
					PART NO. 242106RP	