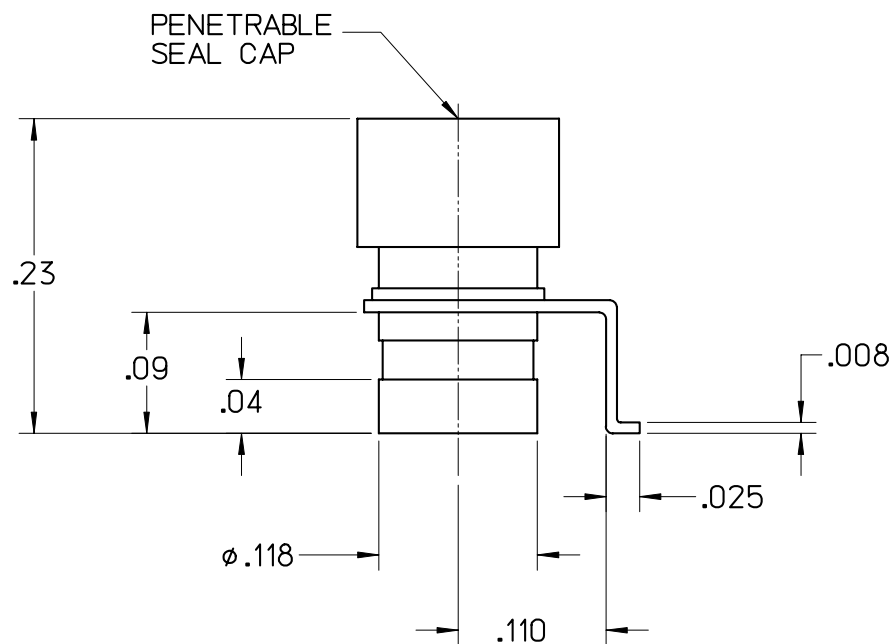
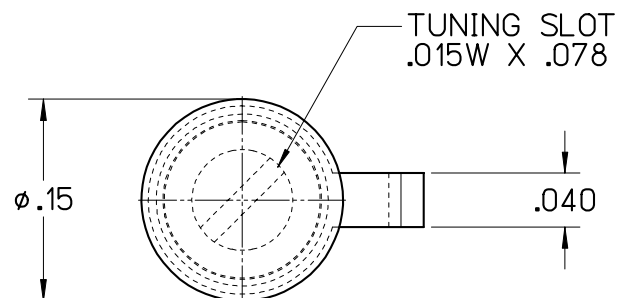


TRIMMER CAPACITOR (GIGA-TRIM[®])



SPECIFICATIONS | FILE: AIROUT

CAPACITY RANGE	0.4pF TO 2.5pF (>4 TURNS)
WORKING VOLTAGE	500 VDC (1000 VDC TEST)
Q @ 250 MHz	>4000
INSULATION RESISTANCE	>10 ⁶ MEGOHMS
TEMPERATURE RANGE	-65°C TO +125°C
TORQUE	0.2 TO 2.0 OZ. IN
ROTATIONAL LIFE	50 CYCLES (400 REVOLUTIONS)
VIBRATION	15G @ 10-2000 Hz
SHOCK	100G @ 6 ms
MOISTURE RESISTANCE	10-24 HR. CYCLE

BRASS & INVAR STRUCTURE

SAPPHIRE DIELECTRIC

FINISHES: GOLD AND SILVER PLATE

TEFLON SEAL CAP

ACTUAL SIZE



C	10/27/06	MLD	-	-	000442
LEVEL	DATE	DRN.	CHK.	APP.	ECN

REVISIONS

DRN.	CHK.	APP.	SCALE
MLD	MAI	MAI	7" = 1"
DATE	DATE	DATE	.XX ± .015
10/27/06	10/30/06	10/30/06	.XXX ± .005



JOHANSON MANUFACTURING CORPORATION
 ROCKAWAY VALLEY ROAD, BOONTON, N.J. 07005 (973)334-2676 FAX (973)334-2954
 ELECTRONIC ACCURACY THROUGH MECHANICAL PRECISION