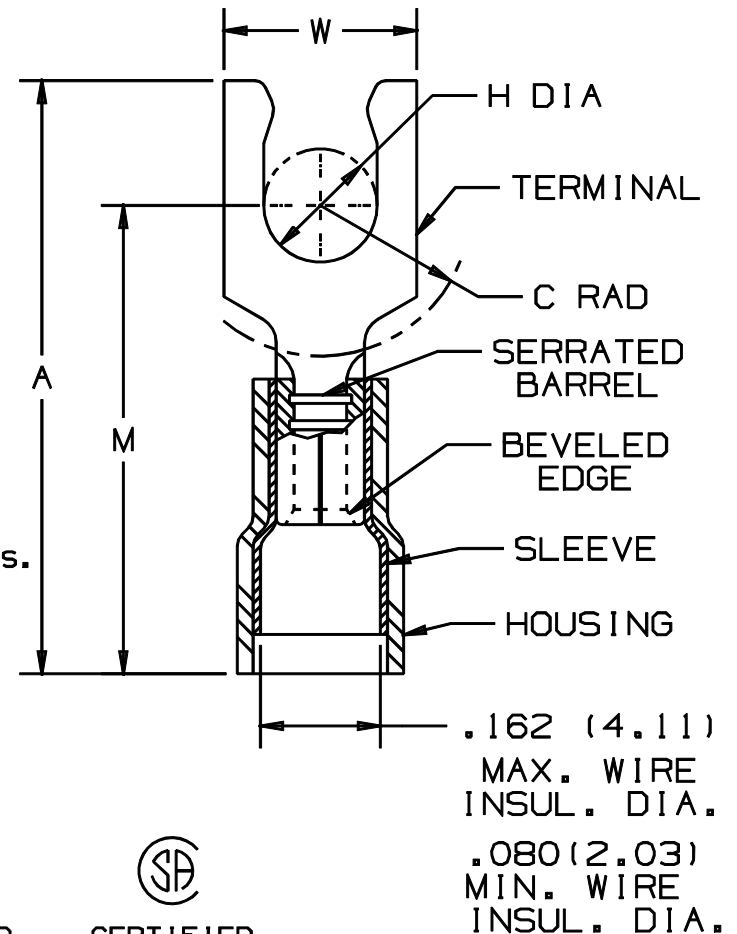


THIS COPY IS PROVIDED ON A RESTRICTED BASIS AND IS NOT TO BE USED IN ANY WAY DETRIMENTAL TO THE INTERESTS OF PANDUIT CORP.

| PANDUIT PART NUMBER | STUD SIZE | DIMENSIONS in. | | | | |
|---------------------|-----------|----------------|---------------|---------------|----------------|---------------|
| | | A $\pm .020$ | W $\pm .010$ | C $\pm .015$ | M $\pm .020$ | H $\pm .010$ |
| PN14-6LF | #6 | .86 (21.84) | .25 (6.35) | .22 (5.59) | .62 (15.75) | .14 (3.56) |
| PN14-6LFW | #6 | .84 (21.34) | .29 (7.37) | .22 (5.59) | .62 (15.75) | .14 (3.56) |
| PN14-8LF | #8 | .92 (23.37) | .29 (7.37) | .25 (6.35) | .67 (17.02) | .16 (4.06) |
| PN14-10LF | #10 | .91 (23.11) | .33 (8.38) | .25 (6.35) | .67 (17.02) | .19 (4.83) |
| PN14-10LFN | #10 | .91 (23.11) | .28 (7.11) | .25 (6.35) | .67 (17.02) | .19 (4.83) |

NOTES:

- UL LISTED AND CSA CERTIFIED FOR:
 - 600V. MAX. BLDG WIRE (1000 V. MAX IN SIGNS, FIXTURES & LUMINAIRES).
 - #18-14 AWG SOLID OR STRANDED COPPER WIRE WITH THE CT-550, CT-500, CT-1550, CT-1551, CT-460 (UL ONLY) AND CT-400 (UL ONLY) INSTALLATION TOOLS.
 - #16-14 AWG SOLID OR STRANDED COPPER WIRE WITH THE CT-100 AND CT-250 INSTALLATION TOOLS.
 - 221°F (105°C) MAX TEMP. RATING
- MATERIAL:
 - STAMPING - .032" (.81) THK COPPER, TIN PLATED
 - HOUSING - NYLON, BLUE
 - SLEEVE - BRASS, TIN PLATED
- STRIP LENGTH - 7/32 $\pm .001$
- PACKAGE QTY:
 - C=100
 - M=1000
- DIMENSIONS IN BRACKETS ARE IN MILLIMETERS



LISTED
587H
E52164



CERTIFIED
LR31212

A41291_07

| | | | | | | | |
|-----|-------|------|-----|---|-------|------|------|
| 07 | 1/01 | RM | | FILESPEC WAS N4129AA_PCD_06 | | | |
| 06 | 12/96 | JAMB | | ADDED DIM. "MIN WIRE INSUL. DIA." UPDATE NOTES | 05385 | | |
| 05 | 11/94 | TH | | UPDATED NOTES AND DIMENSIONS | 02660 | LA | TKLE |
| 4 | 8-88 | DW | | REDRAWN WITH REVISIONS | | | JRB |
| REV | DATE | BY | CHK | DESCRIPTION | ECN # | CUST | PM |

PANDUIT

CORP.

TINLEY PARK, ILLINOIS

#16-14 BARREL NYLON INSULATED
LOCKING FORK, .162 (4.11) MAX.
WIRE INSULATION DIAMETER

DRAWN BY DW CHK'D RLS SCALE NONE DRAWING NO. A41291