

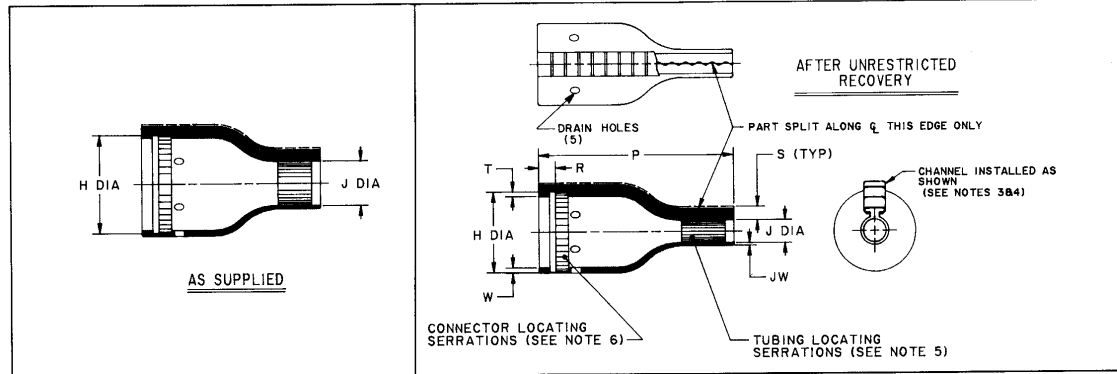
# Thermofit® Molded Parts

## Specification Control Drawing

**Part Number:** 202B112 thru 144  
**Description:** Boot, Wraparound

**Notes:**

- All dimensions are in  $\frac{\text{Inches}}{[\text{Millimeters}]}$ ;  $\frac{\text{lbs}}{[\text{grams}]}$
- Dimensions appearing in table are as follows:  
 a - as supplied  
 b - after unrestricted recovery
- Weight includes channel.
- See drawing 003A001 for channel dimensions. One channel supplied with each boot.
- See drawing 202C221 thru 302 for convolex tubing adapter.
- See drawing 201A711 thru 792 for connector adapter.



Part Number	H		J		P ±10% b	R ±10% b	S ±10% b	T ±20% b	JW ±20% b	W ±20% b	Weight Max b	Channel		This Part Fits Raychem Convolex Size
	Min a	Max b	Min a	Max b								Length	No Sections	
202B112	1.00 [25,4]	.84 [16,3]	.76 [19,3]	.25 [6,4]	2.54 [64,5]	.25 [6,4]	.17 [4,3]	.07 [1,8]	.04 [1,02]	.04 [1,02]	.019 [8,61]	2.57 [65,3]	13	9/32 to 3/8
202B123	1.17 [29,7]	.80 [20,3]	.82 [20,8]	.25 [6,4]	2.55 [64,8]	.25 [6,4]	.17 [4,3]	.07 [1,8]	.04 [1,02]	.04 [1,02]	.021 [9,53]	2.57 [65,3]	13	9/32 to 7/16
202B133	1.60 [40,6]	1.06 [26,9]	.86 [22,4]	.34 [8,6]	2.90 [73,7]	.25 [6,4]	.17 [4,3]	.07 [1,8]	.04 [1,02]	.08 [2,03]	.033 [14,97]	2.97 [75,4]	15	9/32 to 1/2
202B144	1.95 [49,5]	1.28 [32,5]	1.23 [31,2]	.44 [11,2]	4.27 [108,5]	.25 [6,4]	.18 [4,6]	.07 [1,8]	.05 [1,27]	.08 [2,03]	.061 [27,67]	4.37 [111,0]	22	3/8 to 3/4

**Raychem**

Raychem Corporation  
 300 Constitution Drive  
 Menlo Park, California 94025  
 415) 361 6055

If this document is printed it becomes uncontrolled.  
 Check for the latest revision.

Revision: L  
 Date: 3-2-89

**Part Number:** 202B112 thru 144  
**Description:** Boot, Wraparound

# ThermoFit® Molded Parts Specification Control Drawing

**Part Number:** 202B112 thru 144  
**Description:** Boot, Wraparound

## Compatibility Chart

Material Dash No.	Material Description	RT Spec	Coating Slash No.	Coating S No.	Coating Description
-3	Polyolefin, Semi-Rigid	RT-301			
-12	*VITON, Flexible	RT-1312			

\*VITON is a registered trademark of Dupont

## Ordering Information:

202B1XX — X — XX / XX

Base part number

Material dash number  
(see compatibility chart)

Modification number  
(if necessary, see front of SCD binder  
for a complete modification list)

Adhesive slash number  
(if necessary, see compatibility chart)

This drawing is subject to change without notice; consult your nearest field representative for current revision.

**Raychem**

Raychem Corporation  
300 Constitution Drive  
Menlo Park, California 94025  
415) 361 6055

If this document is printed it becomes uncontrolled.  
Check for the latest revision.

Revision: **L**  
Date: **3-2-89**

**Part Number:** 202B112 thru 144  
**Description:** Boot, Wraparound