

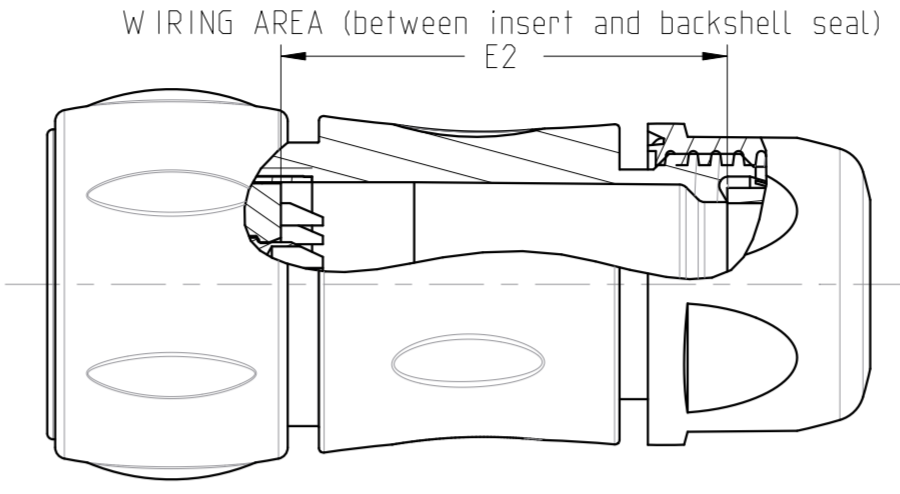
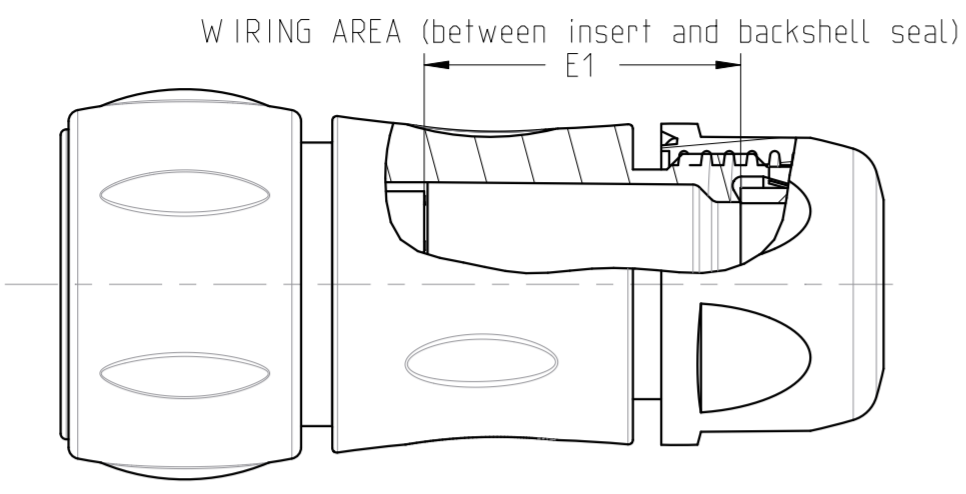
B.3: Validé

SIDE VIEW FOR EACH VERSION

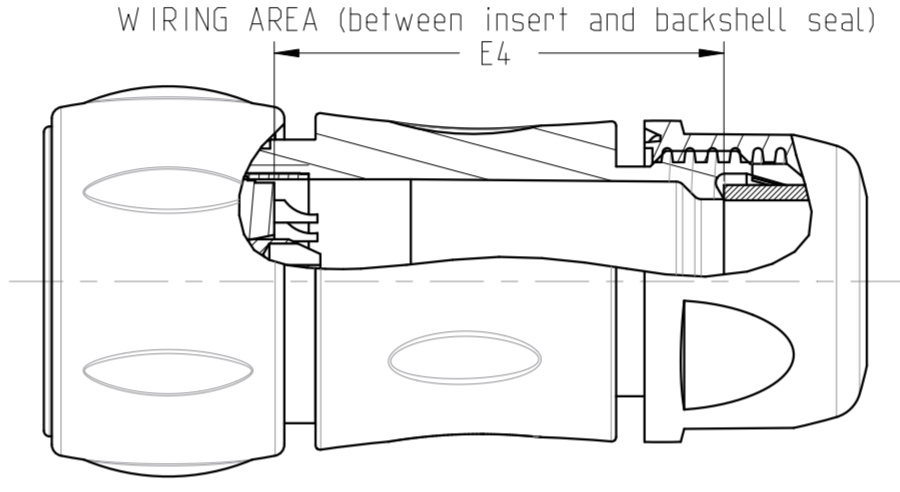
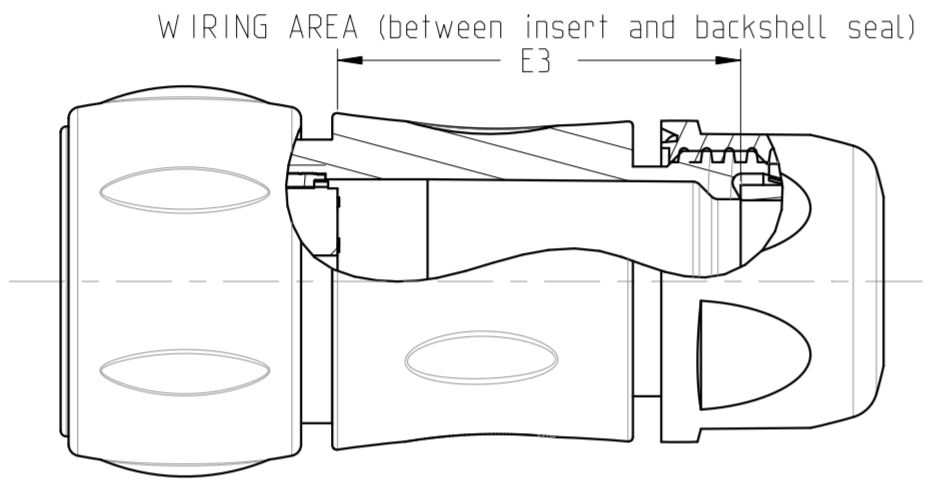
UTGX6JC-----

UTGX6JC--E----

UTGX6JC-----P



UTGX6JC-----S

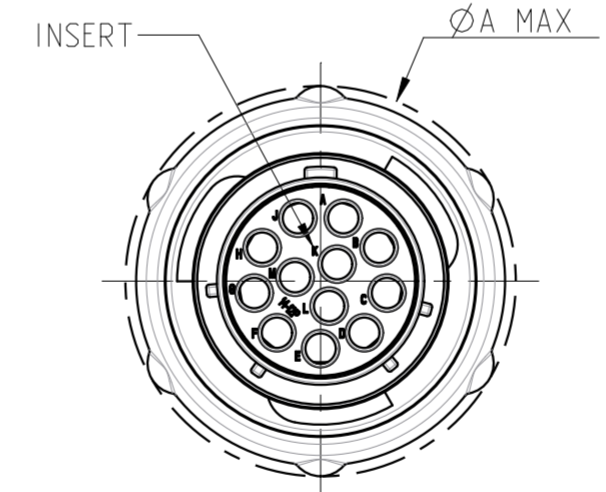
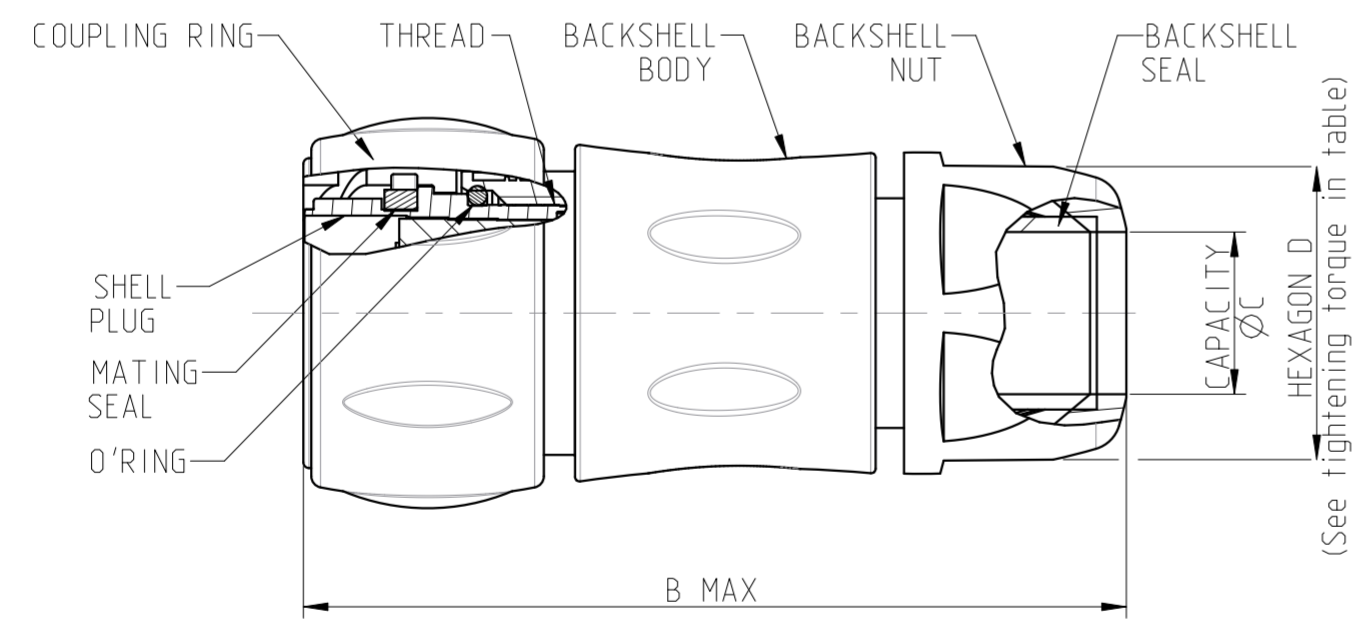


SEALING CONDITIONS

Sealing in MATED conditions with COUNTERPART:  
 -IP68 1 bar during 1 week: immersion under 10 m of water. (IEC 60529)  
 -IP69K : exposure to high pressure water of cleaning equipment (DIN 40050)

Sealing in MATED conditions with COUNTERPART and UNMATED conditions:  
 -IP68 1 bar during 1 week: immersion under 10 m of water. (IEC 60529)  
 -IP69K : exposure to high pressure water of cleaning equipment (DIN 40050)

COMMON QUOTES FOR ALL VERSION



MATERIAL :

- SHELL :PA UL94 V0, UL746C F1 Black color
- COUPLING RING: PA + Nickel-plated brass
- BACKSHELLS : PA UL94 V0 F1 Black color
- BACKSHELL Seal : CR
- INSERT (UTGX0-----) : PA UL94 V0, UL746C F1
- INSERT (UTGX0--E----) : Polychloroprene
- O'RING : NITRIL
- MATING SEAL : SILICON
- CONTACTS: brass + coated depending on P/N

PERFORMANCE CHARACTERISTICS :

Operating temperature: -40°C up to 105°C  
 Insulation resistance: 5000 MΩmin  
 Corrosion salt spray: 500 hours  
 Durability: 500 matings and unmatings  
 Sealing conditions: SEE TABLE

NOTA:

- Contact to be ordered separately for version UTGX6----- : refer to corresponding catalogue.
- Insert arrangement refer to:  
 UTO-CONTACT-L-C02 (Female insulator)  
 UTO-DHP-003-C01 (Female insulator #20)  
 UTO-DHP-002-C01 (Female insulator #16)  
 UTO-CONTACT-L-C01 (Male insulator)  
 UTO-DHP-003-C01 (Male insulator #20)  
 UTO-DHP-001-C01 (Male insulator #16)  
 C144-UTS1-A (HiSeal Version)
- This part shall be used at the place of the standard seal to accomodate with different cable Ø
- Plug, backshell and the reducing seal are delivered as a kit. The backshell already includes the standard seal.

Country	Jurisdiction & Control List
FR	NOT LISTED

SOURIAU shall not be liable for any non-conformity or damage due to a use of the Products which does not comply with the Specifications issued by either of the Parties or by a third party (professional recommendation, technical notice.)

P/N : CROSS REF TABLE

BASIC SERIES	UTGX 6 JC 14 E 19 P	* P/N for example
SHELL TYPE	6 Plug	Normal (no digit) W.X.Y.Z
BACKSHELL	JC	TYPE OF CONTACTS P: MALE S: FEMALE
SHELL SIZE	10 12 14	INSERT ARRANGEMENT See NOTA 2
TYPE OF LAYOUT	Standard layout (No digit) E : HISEAL Handsolder contacts	

B	14/02/2020	-Update drawing	25253J
ISS	DATE	Latest modification - by:	J.FEURPRIER
Designed by:	PE.LANDAIS	Date:10/05/19	MOD N°

TITLE: PLUG T6 WITH BACKSHELL JC - SIZE 10 12 & 14, Standard and Hiseal version  
 UTGX CONNECTOR

Scale: 3/2  
 Dimensions in mm  
 General Linear Tolerances: ± 0.2  
 NPRDS / PROJECT GBB

**SOURIAU** Connection Technologies  
 www.souriau.com  
 This document is the property of SOURIAU  
 It must not be reproduced or communicated without permission

SHELL SIZE	MAX	MAX	STANDARD	REDUCING SEAL (NOTA.3)	HEXAGON backshell nut	MAX				THREAD CLASS 2A	±10% (g.)	
	ØA	B	ØC	D	Tightening torque (N.m)	E1	E2	E3	E4		MASS	
10	26.2	66	2.5 / 8	1.5 / 5	18.5	1	21	34.1	29	33.5	9/16-24 UNEF	30
12	29.7	69	5 / 12	3 / 9	24	2	25	38.1	33	37.5	11/16-24 UNEF	40
14	34.6	75.5	7 / 14	5 / 12	26	2.5	29	42.1	36	40.5	13/16-20 UNEF	53

FORMAT: A2  
 SOURIAU DRG N°  
 UTGX-0005A-C  
 SHEET 1 / 1