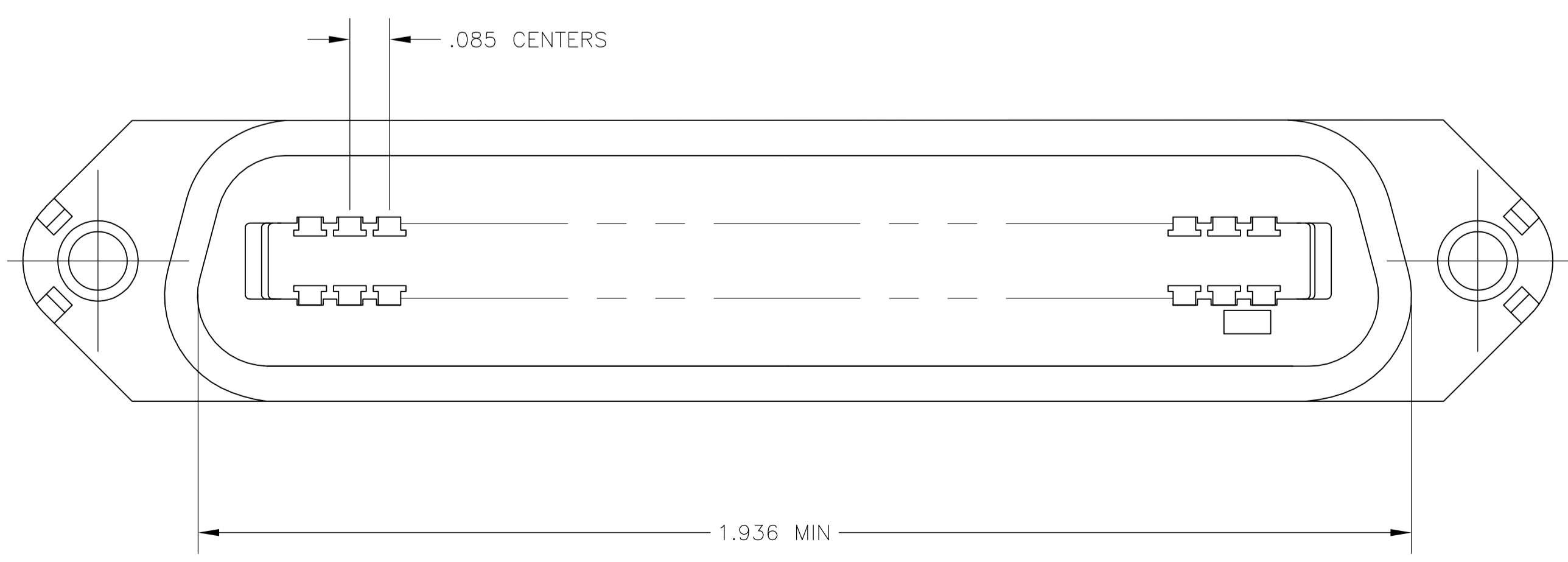
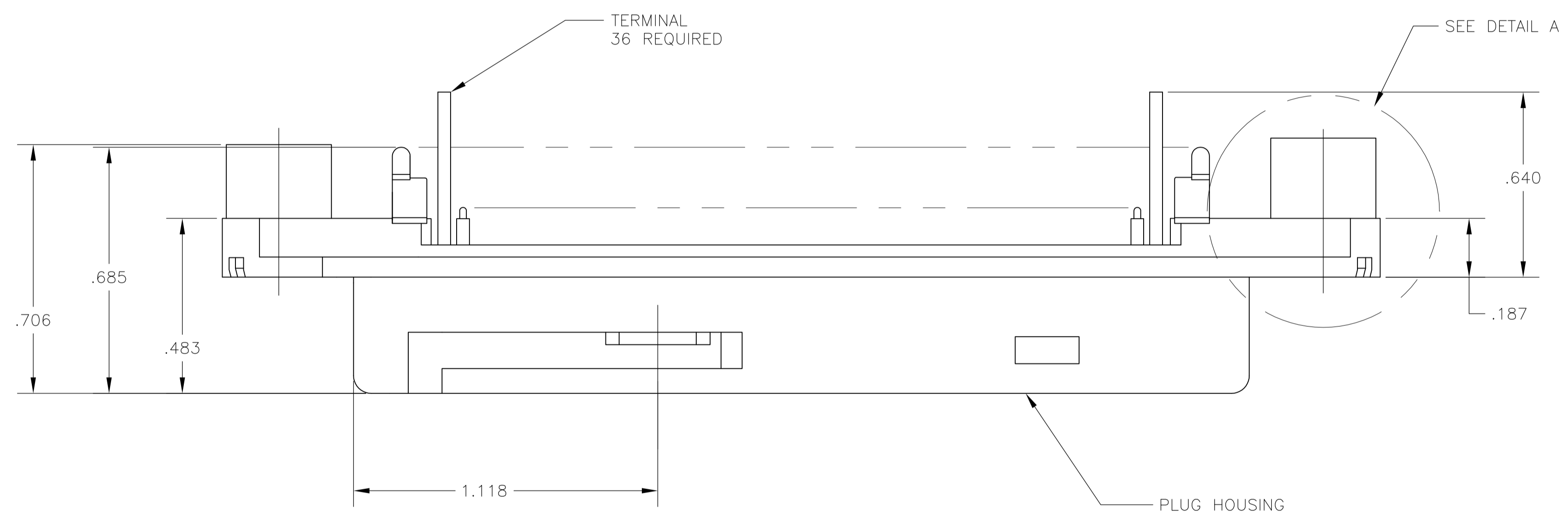
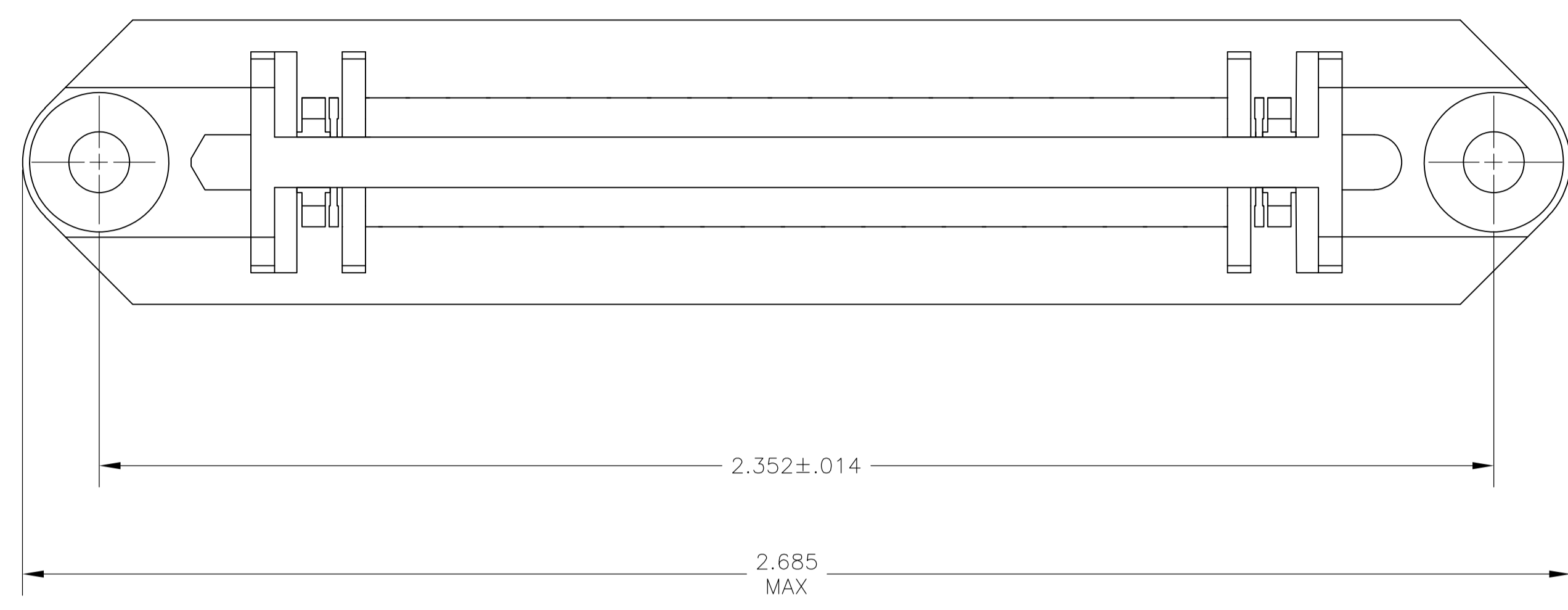
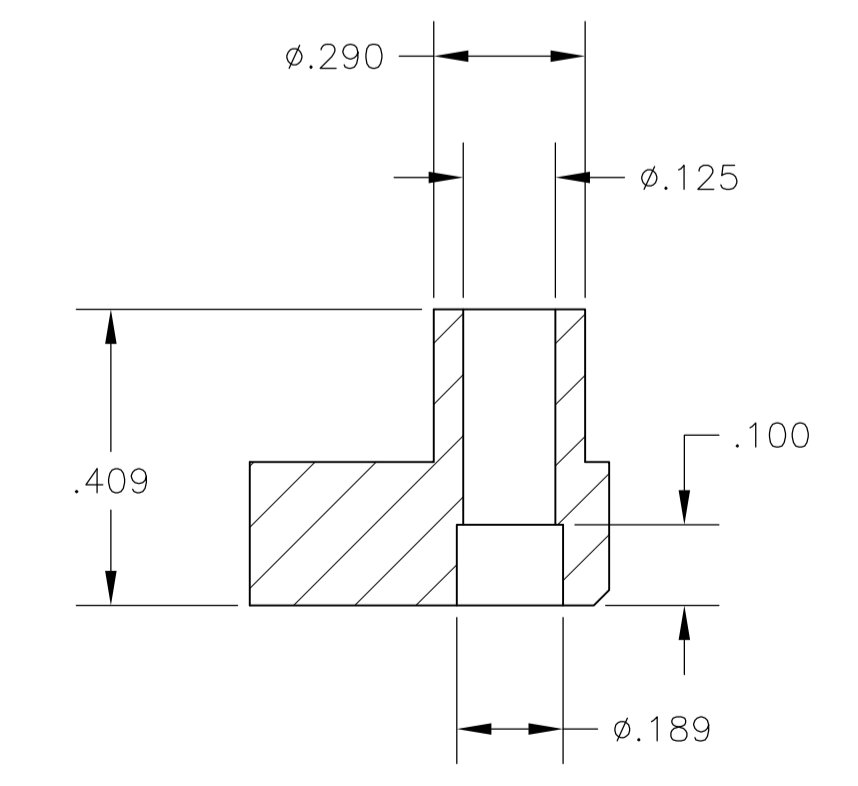
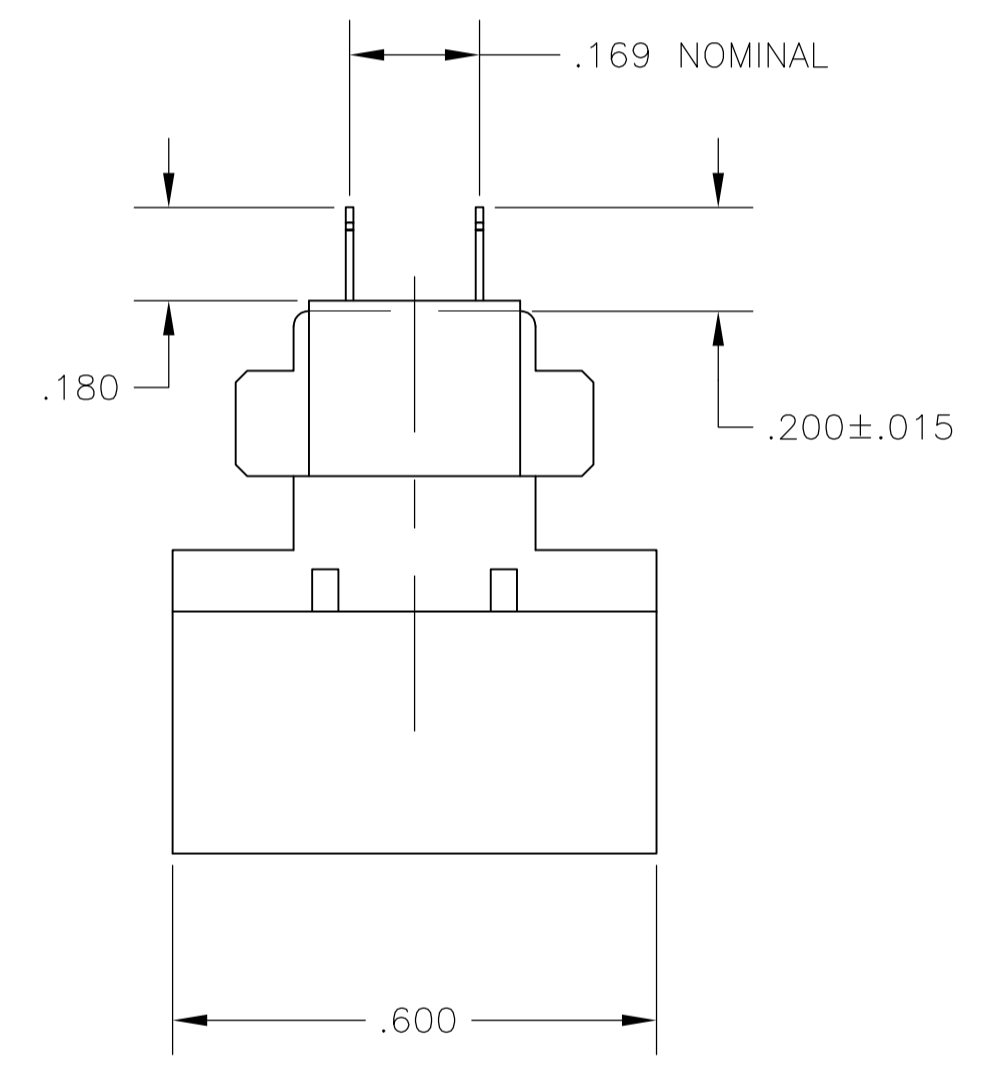


LOC		DIST		REVISIONS			
GP	00	REV	DATE	BY	CHK	APP	DATE
B			22JUL08	BM	WM		



1. THE CONTACT SURFACES OF THE TERMINALS ARE COATED WITH LUBRICANT.
2. MATERIAL: HOUSING - THERMOPLASTIC, BLACK. TERMINAL - PHOS BRONZE PLATED WITH EITHER .000030 MINIMUM GOLD PLATE OR GOLD FLASH OVER PALLADIUM NICKEL PLATE, .000030 MINIMUM TOTAL ON MATING SURFACE. .000120 MINIMUM TIN ON TAILS OVER .000050 MINIMUM NICKEL UNDERPLATE OVER ENTIRE TERMINAL.
3. ALL DIMENSIONS SHOWN ARE FOR REFERENCE ONLY UNLESS OTHERWISE SPECIFIED.



DETAIL A

5552232-1  
PART NUMBER

THIS DRAWING IS A CONTROLLED DOCUMENT.		DIN: B. LATTUCA 22AUG05 CHK: W. MILLHIMES 22AUG05 APVD: M. WALMSLEY 22AUG05	Tyco Electronics Corporation Harrisburg, PA 17105-3608
DIMENSIONS: INCHES:	TOLERANCES UNLESS OTHERWISE SPECIFIED:	NAME: PLUG ASSY, 36 POSN, VERT MTG, CHAMP-LOK PRODUCT SPEC: - APPLICATION SPEC: -	SIZE: A1 CAGE CODE: 00779 DRAWING NO: 5552232
MATERIAL:	FINISH:	WEIGHT: - CUSTOMER DRAWING:	RESTRICTED TO: - SCALE: 4:1 SHEET: 1 OF 1 REV: B