

- NOTES:
- MATERIALS: HOUSING - LIQUID CRYSTAL POLYMER (LCP)
GLASS-FILLED, UL94V-0
TERMINALS - HIGH PERFORMANCE COPPER ALLOY
 - FINISH: 10 μINCH MIN GOLD IN CONTACT AREA.
SELECTIVE MATTE TIN ON PCB TAILS, NICKEL OVERALL.
 - REFER TO MOLEX PRODUCT SPECIFICATION PS-76060-999
FOR PERFORMANCE SPECIFICATIONS AND ADDITIONAL PCB INFORMATION.
 - THIS PART CONFORMS TO CLASS B REQUIREMENTS OF
MOLEX COSMETIC SPEC PS-45499-002.
 - PARTS PACKAGEE PER PK-70873-757.
 - SEE SHEETS 2 & 3 FOR PART NUMBERS AND BOARD RELATIONSHIPS.
 - FOR GROUNDED GUIDE PINS USE DIA. 3.56 +/-0.08 (PTH)
DIA. 3.66 (DRILL) AND DIA 6.5 (PAD).
 - MATES WITH IMPACT DC SERIES NO. 76160.
 - KEEP OUT ZONE FOR BP HOUSING LENGTH INCLUDES AN ADDITIONAL 1.0MM
TO ACCOMMODATE FOR SPACE REQUIRED BY DC FRONT HOUSING.
 - REFER TO MOLEX PCB ROUTING GUIDE AS-76060-990 FOR ANTI PAD AND ROUTING RECOMMENDATIONS.
 - CONNECTORS SUPPLIED WITH A 2-56 UNC-2A SCREW.
 - "THESE DIMENSIONS REPRESENT THE AREA NEEDED TO ACCOMMODATE CONNECTOR INSERTION AND
REPAIR ON THE PC BOARD. THIS IS REFERRED TO AS THE "CONNECTOR KEEP OUT ZONE" AND
DOES NOT REPRESENT THE ACTUAL PERIMETER OF THE CONNECTOR. WHEN LAYING OUT A PC BOARD
FOR CONNECTORS STACKED TOGETHER, USE A 1.9mm PROGRESSION."

QUALITY SYMBOLS		THIS DRAWING CONTAINS INFORMATION THAT IS PROPRIETARY TO MOLEX ELECTRONIC TECHNOLOGIES, LLC AND SHOULD NOT BE USED WITHOUT WRITTEN PERMISSION			
▽ = 0	▽ = 0	MIGRATED TO NX EC NO: 123322 DRWN: NSRIVATSAHS CHKD: PRAMASWAMY REV APPR: PRAMASWAMY	GENERAL TOLERANCES (UNLESS SPECIFIED)	DIMENSION UNITS	SCALE
▽ = 0	▽ = 0		mm	4:1	
▽ = 0	▽ = 0		ANGULAR TOL ± 0.5 °	DRWN BY	DATE
▽ = 0	▽ = 0		4 PLACES ±	JBINGHAM	2011/11/18
▽ = 0	▽ = 0		3 PLACES ±	CHKD BY	DATE
▽ = 0	▽ = 0	2 PLACES ± 0.13	JLAURX	2011/11/18	
▽ = 0	▽ = 0	1 PLACE ± 0.25	APPR BY	DATE	
▽ = 0	▽ = 0	0 PLACES ±	JLAURX	2011/12/02	
▽ = 0	▽ = 0	DRAFT WHERE APPLICABLE MUST REMAIN WITHIN DIMENSIONS	DRAWING SIZE	THIRD ANGLE PROJECTION	
▽ = 0	▽ = 0		D		
RELEASE STATUS		P1	RELEASE DATE	18.10.2017	06:14:28

molex

IMPACT 4 PAIR BACKPLANE
LEFT GUIDED ASSEMBLY SALES DRAWING

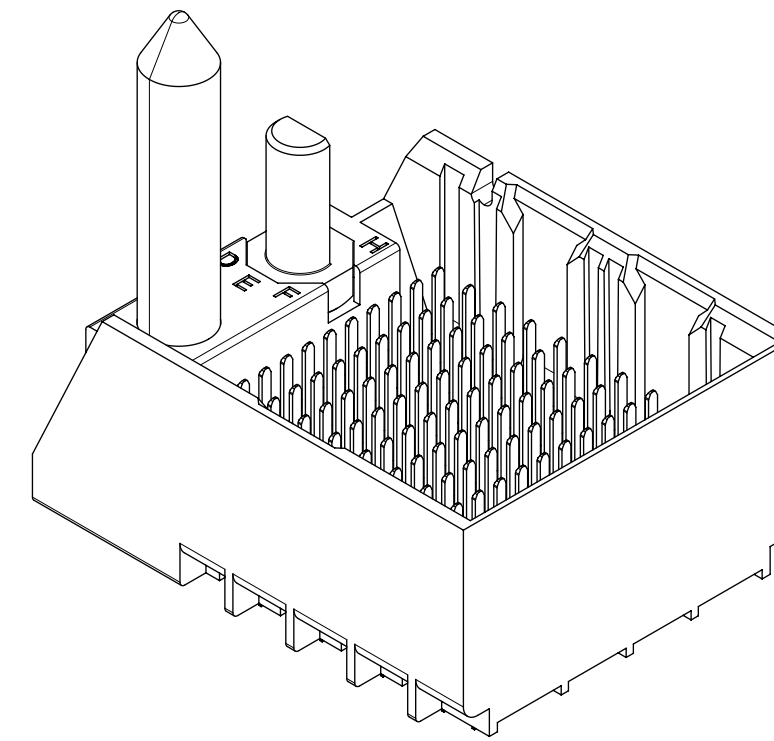
PRODUCT CUSTOMER DRAWING

SERIES: 171294 MATERIAL NUMBER: SEE CHART CUSTOMER: GENERAL MARKET

DOCUMENT NUMBER: SD-171294-0002 DOC TYPE: PSD DOC PART: 001 SHEET NUMBER: 1 OF 3

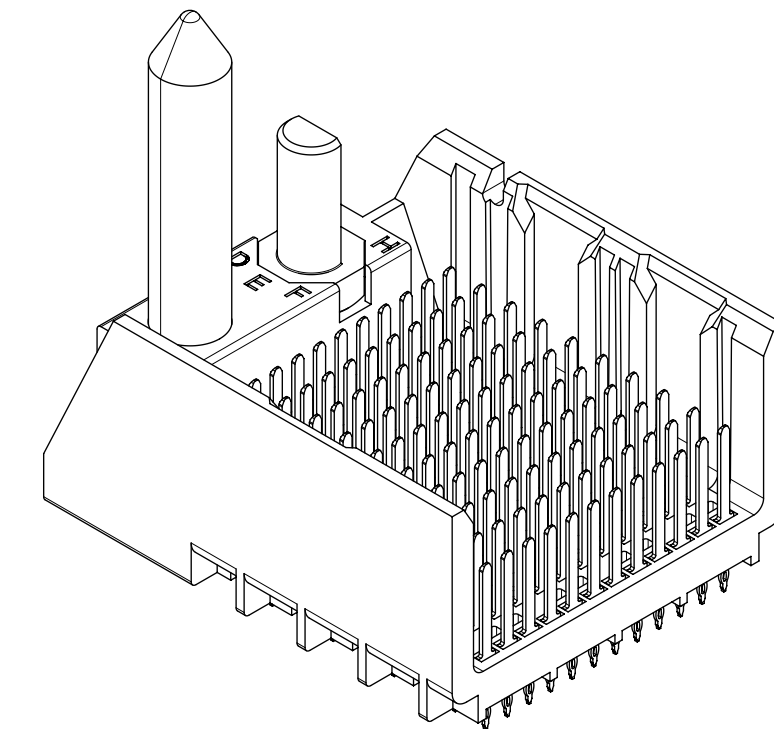
PART NUMBER CHART

MATERIAL NUMBER	# OF COLUMNS	# OF DIFF PAIR	DIM "A"	DIM "B"	GUIDE LEFT END WALL OPTION
171294-73**	6	24	19.3	9.50	
171294-78**	8	32	23.1	13.30	
171294-71**	10	40	26.9	17.10	
171294-76**	16	64	38.3	28.50	



GUIDE LEFT
END WALL
OPTION

MATERIAL NUMBER	# OF COLUMNS	# OF DIFF PAIR	DIM "A"	DIM "B"	GUIDE LEFT OPEN WALL OPTION
171294-33**	6	24	17.9	9.50	
171294-38**	8	32	21.7	13.30	
171294-31**	10	40	25.5	17.10	
171294-36**	16	64	36.9	28.50	



GUIDE LEFT
OPEN WALL
OPTION

PART NUMBER LOGIC

171294- * * * *

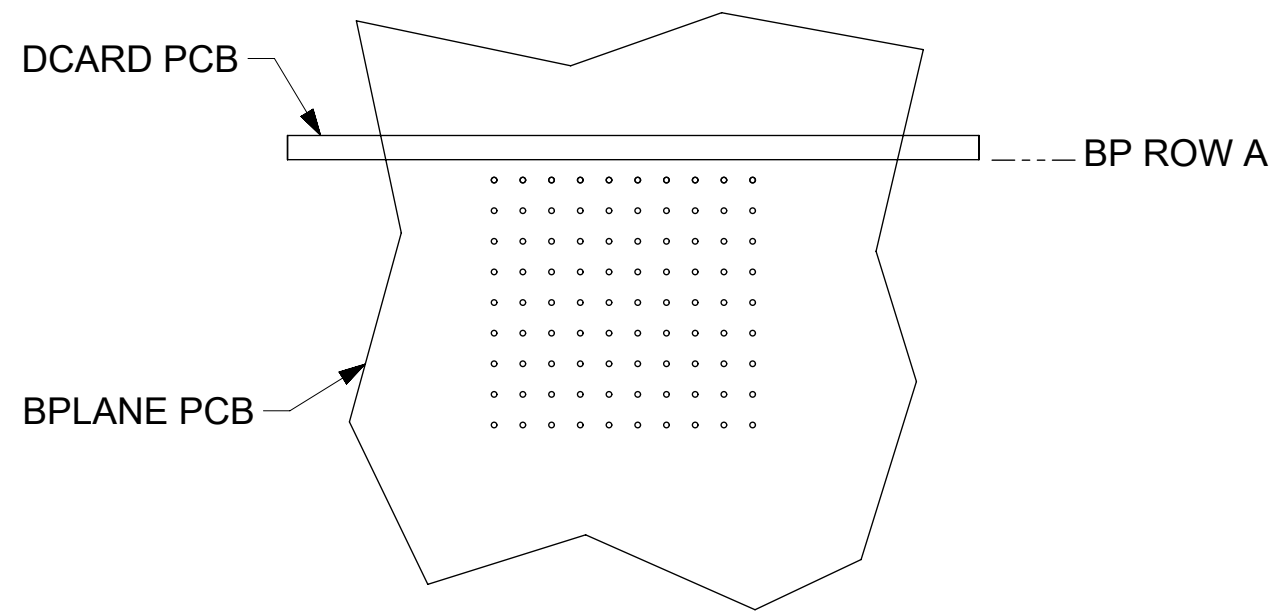
MODULE TYPE
 3 = GUIDE LEFT, MATTE TIN
 7 = GUIDE LEFT END WALL, MATTE TIN

OF COLUMNS
 1 = 10 COL
 3 = 6 COL
 6 = 16 COL
 8 = 8 COL

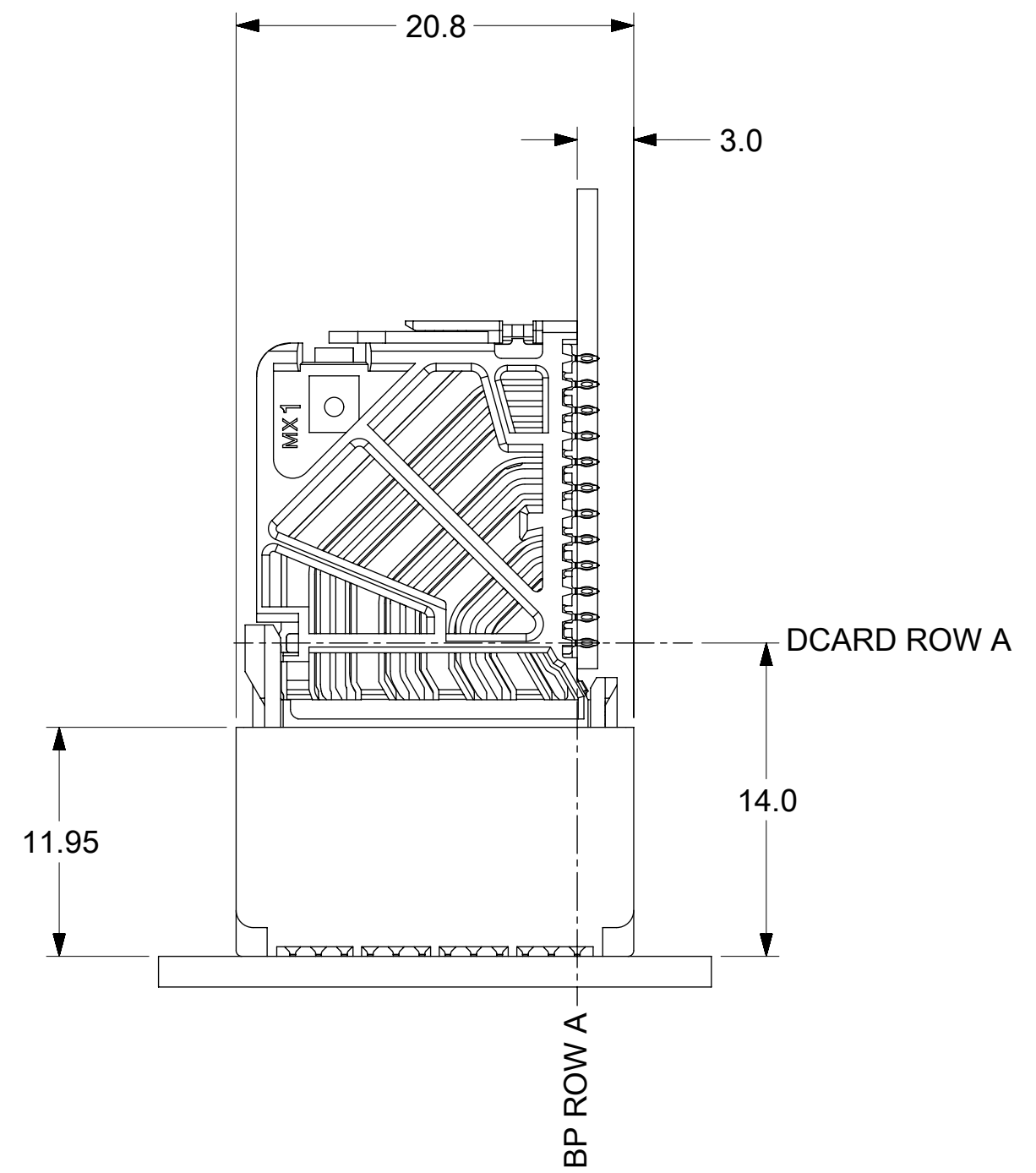
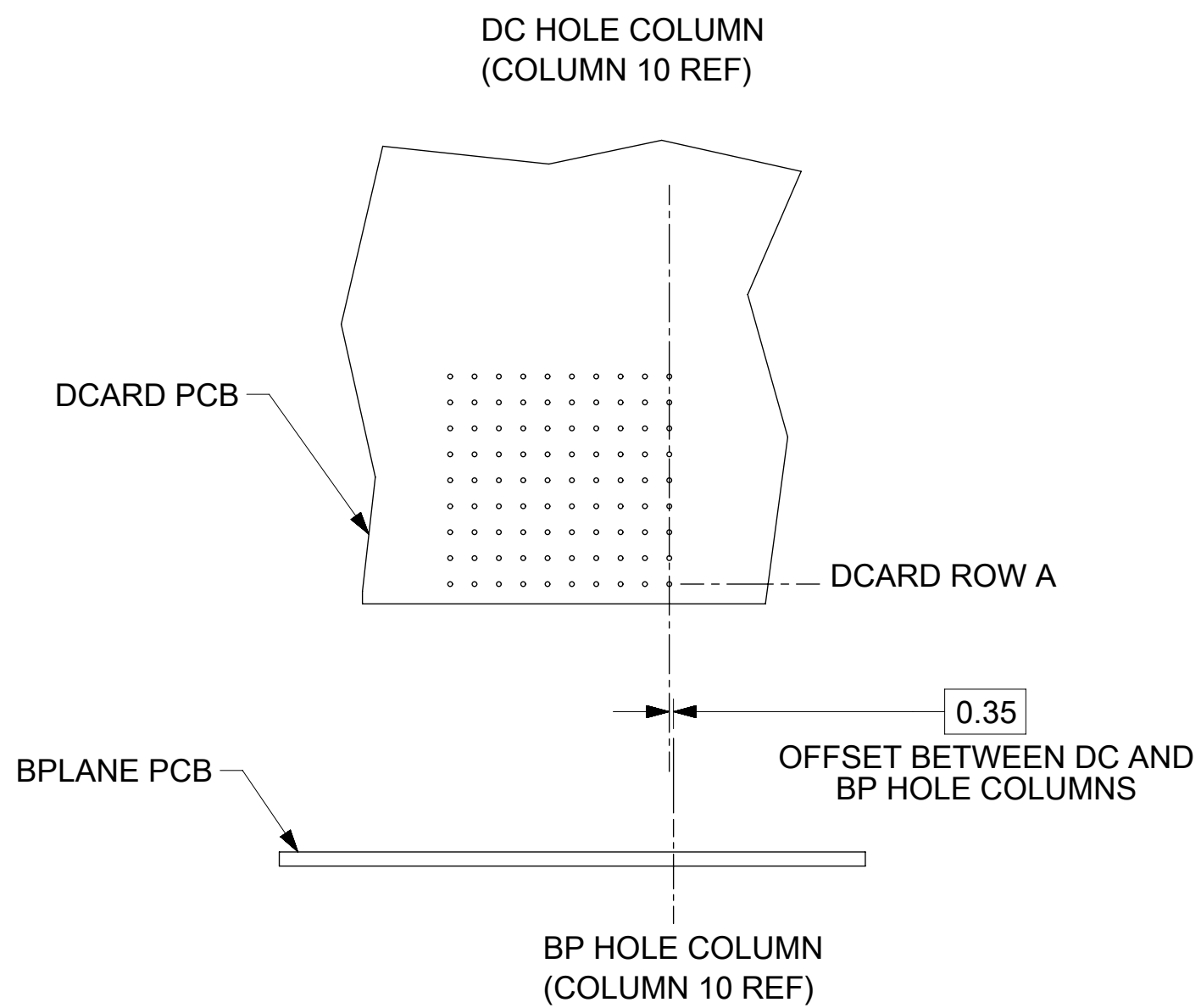
PIN LENGTH (P)
 3 = 4.50 (SHORT COMPLIANT, 0.46±0.05 PTH)
 4 = 4.90 (SHORT COMPLIANT, 0.46±0.05 PTH)
 5 = 5.50 (SHORT COMPLIANT, 0.46±0.05 PTH)
 6 = 4.50 (MICRO COMPLIANT, 0.39±0.05 PTH)
 7 = 4.90 (MICRO COMPLIANT, 0.39±0.05 PTH)
 8 = 5.50 (MICRO COMPLIANT, 0.39±0.05 PTH)

KEY ORIENTATION
 0 = NO KEY
 1 = A
 2 = B
 3 = C
 4 = D
 5 = E
 6 = F
 7 = G
 8 = H

QUALITY SYMBOLS	THIS DRAWING CONTAINS INFORMATION THAT IS PROPRIETARY TO MOLEX ELECTRONIC TECHNOLOGIES, LLC AND SHOULD NOT BE USED WITHOUT WRITTEN PERMISSION									
▽ = 0	EC NO: 123322 DRWN: NSRVATSAHS CHKD: PRAMASWAMY APPR: PRAMASWAMY MIGRATED TO NX 2017/10/09 2017/10/17 2017/10/18	GENERAL TOLERANCES (UNLESS SPECIFIED)		DIMENSION UNITS	SCALE					
▽ = 0		ANGULAR TOL ± 0.5 °		mm	3:1					
▽ = 0		4 PLACES ±		DRWN BY	DATE	IMPACT 4 PAIR BACKPLANE LEFT GUIDED ASSEMBLY SALES DRAWING				
▽ = 0		3 PLACES ±		JBINGHAM	2011/11/18					
▽ = 0		2 PLACES ± 0.13		CHKD BY	DATE	PRODUCT CUSTOMER DRAWING				
▽ = 0		1 PLACE ± 0.25		JLAURX	2011/11/18					
▽ = 0		0 PLACES ±		APPR BY	DATE	SERIES MATERIAL NUMBER CUSTOMER 171294 SEE CHART GENERAL MARKET				
▽ = 0		DRAFT WHERE APPLICABLE MUST REMAIN WITHIN DIMENSIONS		JLAURX	2011/12/02					
▽ = 0		C1		DRAWING SIZE	THIRD ANGLE PROJECTION	DOCUMENT NUMBER DOC TYPE DOC PART SHEET NUMBER SD-171294-0002 PSD 001 2 OF 3				
▽ = 0		C		C						



IMPACT 4 PAIR BOARD RELATIONSHIPS



QUALITY SYMBOLS		THIS DRAWING CONTAINS INFORMATION THAT IS PROPRIETARY TO MOLEX ELECTRONIC TECHNOLOGIES, LLC AND SHOULD NOT BE USED WITHOUT WRITTEN PERMISSION									
▽ = 0	▽ = 0	MIGRATED TO NX EC NO: 123322 DRWN: NSRVATSAHS CHKD: PRAMASWAMY REV APPR: PRAMASWAMY	GENERAL TOLERANCES (UNLESS SPECIFIED)			DIMENSION UNITS	SCALE	molex			
▽ = 0	▽ = 0		ANGULAR TOL ± 0.5 °			mm	1:1				
▽ = 0	▽ = 0		4 PLACES ±	DRWN BY		DATE		IMPACT 4 PAIR BACKPLANE LEFT GUIDED ASSEMBLY SALES DRAWING			
▽ = 0	▽ = 0		3 PLACES ±	JBINGHAM		2011/11/18					
▽ = 0	▽ = 0		2 PLACES ± 0.13	CHKD BY		DATE		PRODUCT CUSTOMER DRAWING			
▽ = 0	▽ = 0		1 PLACE ± 0.25	JLAURX		2011/11/18					
▽ = 0	▽ = 0	0 PLACES ±	APPR BY		DATE		SERIES	MATERIAL NUMBER	CUSTOMER		
▽ = 0	▽ = 0	DRAFT WHERE APPLICABLE MUST REMAIN WITHIN DIMENSIONS	JLAURX		2011/12/02		171294	SEE CHART	GENERAL MARKET		
▽ = 0	▽ = 0		DRAWING SIZE	THIRD ANGLE PROJECTION			DOCUMENT NUMBER		DOC TYPE	DOC PART	SHEET NUMBER
			C				SD-171294-0002		PSD	001	3 OF 3