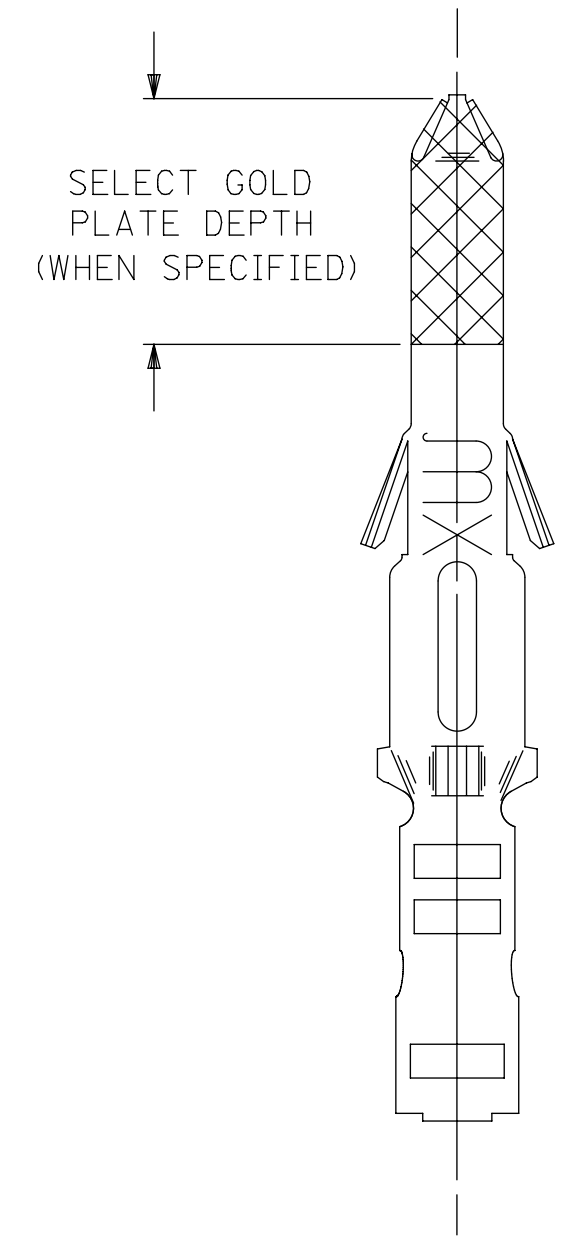
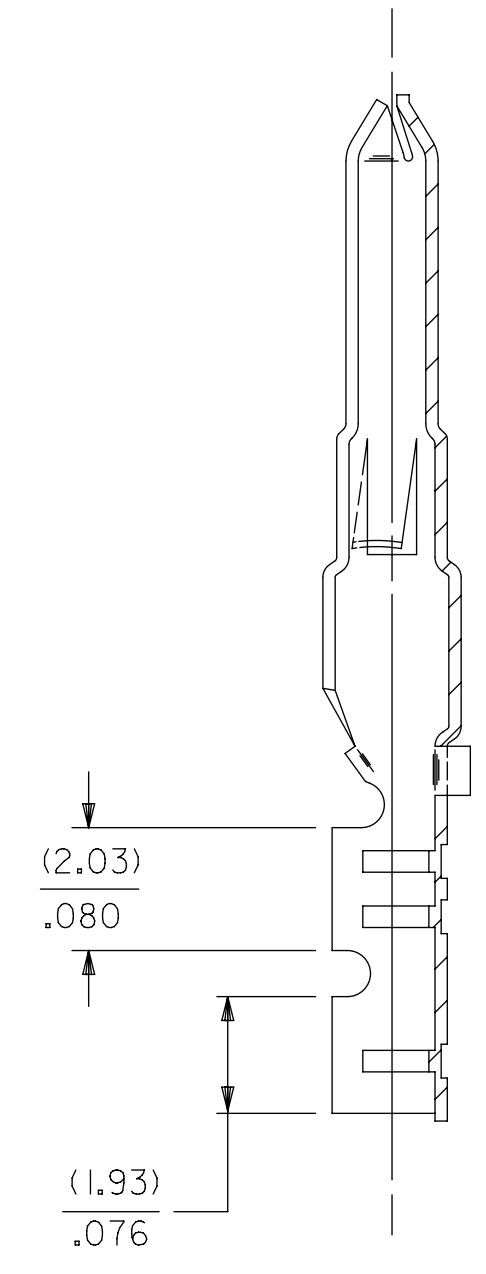
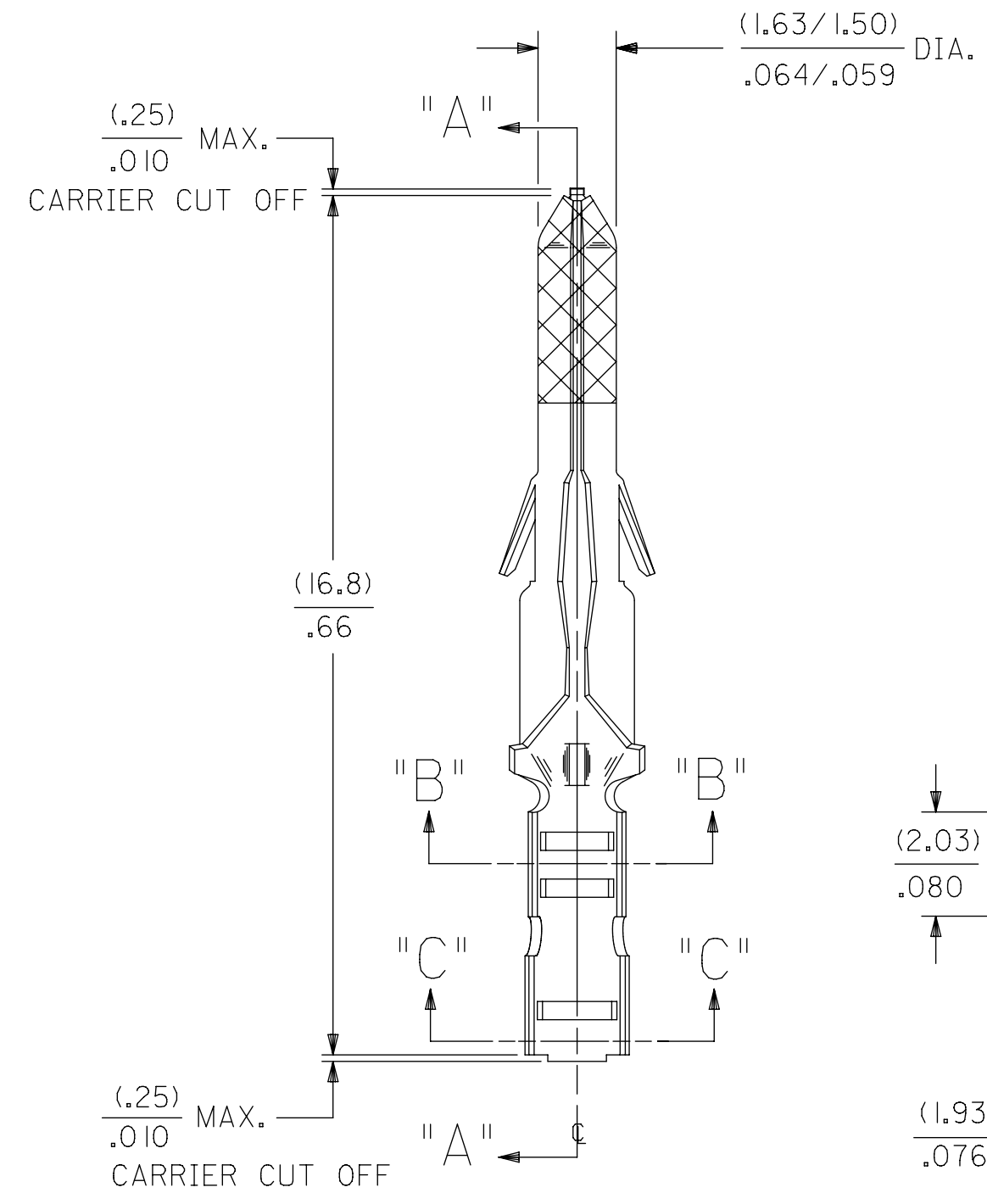
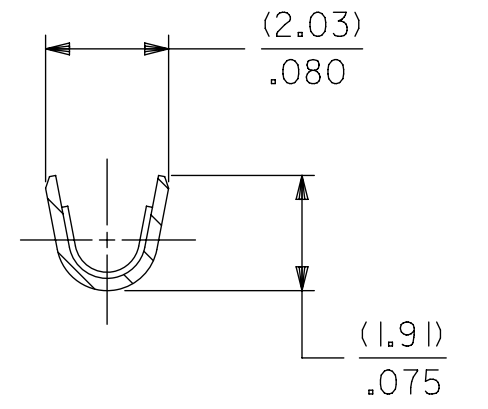
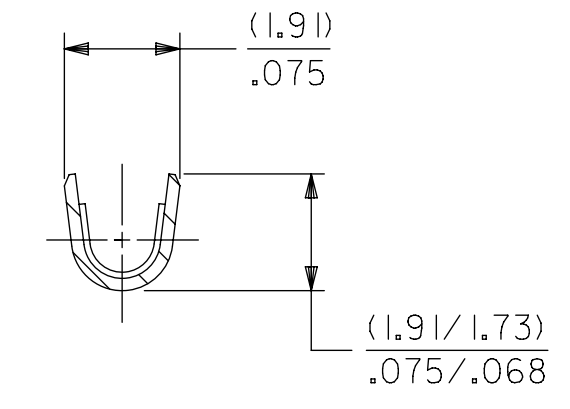
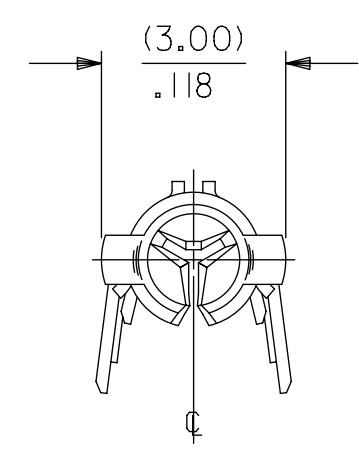
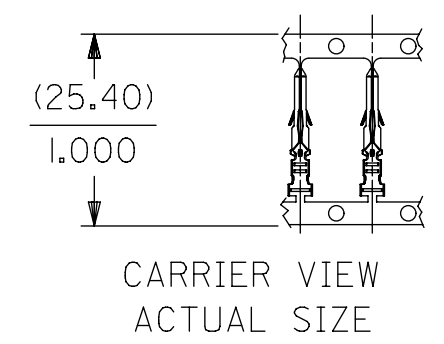


PART NO.	ENG. NO.
02-06-2131	1854-(90 I)
02-06-2132	1854-(90 I)L
02-06-6130	1854-(550)
02-06-6135	1854-(550)L



SECT. "A-A"

LEGEND

1854-(\*\*\*\*)\*

P=PREPLATE  
BLANK=POSTPLATE  
FINISH CODE

FORM  
BLANK=CHAIN  
L=LOOSE

NOTES:

- MATERIAL: BRASS
- FINISHES:
  - 901 HOT TIN DIP (.00051)/.000020 MIN.
  - 228 SELECT GOLD PLATE (.00075)/.000030 MIN. IN CONTACT AREA, SELECT TIN (.00250)/.000100 MIN. IN CRIMP AREA OVER (.00125)/.000050 MIN. NICKEL OVERALL
  - 561 SELECT GOLD PLATE (.00076)/.000030 MIN. IN CONTACT AREA, (.00127)/.000050 MIN. NICKEL OVERALL.
  - 550 SELECT GOLD PLATE (.00038)/.000015 MIN. IN CONTACT AREA, OVER (.00076)/.000030 MIN. NICKEL OVERALL WITH (.00025)/.000010 MAX. GOLD FLASH OVERALL.
- PRODUCT SPECIFICATION: PS-02-06
- PACKAGE INFORMATION:
  - LOOSE TERMINALS: PK-1190-003
  - CHAIN TERMINALS: 18540000-PK
- TERMINAL FOR USE WITH (1.57)/.062 DIA. SERIES HOUSINGS AND WILL ACCEPT 24 THRU 30 AWG WIRE WITH (1.02/2.29)/.040/.090 INSULATION DIAMETER.

THIS DRAWING CONTAINS INFORMATION THAT IS PROPRIETARY TO MOLEX ELECTRONIC TECHNOLOGIES, LLC AND SHOULD NOT BE USED WITHOUT WRITTEN PERMISSION									
DIMENSION UNITS		SCALE		CURRENT REV DESC: OBSOLETE PART NUMBER AS PER PCN#509988				<b>molex</b>	
MM/IN		8:1							
GENERAL TOLERANCES (UNLESS SPECIFIED)				EC NO: 704776				CRIMP TERMINAL, MALE .062 DIA. FOR 24-30 AWG WIRE	
				DRWN: SUGEEB 2022/03/28					
4 PLACES		±		CHK'D: GGA 2022/05/24		PRODUCT CUSTOMER DRAWING			
3 PLACES		± 0.01		APPR: GGA 2022/05/24		DOCUMENT NUMBER		DOC TYPE DOC PART REVISION	
2 PLACES		± 0.25 ± 0.014		INITIAL REVISION:				SD-1854-X	
1 PLACE		± 0.35 ±		DRWN: RFC_PLMIMP 2018/12/01				PSD 001 AR2	
0 PLACES		±		APPR: JCOMERCI 2001/10/22				MATERIAL NUMBER CUSTOMER SHEET NUMBER	
ANGULAR TOL		± 0.5 °		THIRD ANGLE PROJECTION		DRAWING SERIES		SEE TABLE GENERAL MARKET 1 OF 1	
DRAFT WHERE APPLICABLE MUST REMAIN WITHIN DIMENSIONS				C-SIZE		1854			

DOCUMENT STATUS	P1	RELEASE DATE	2022/05/24	10:34:35
-----------------	----	--------------	------------	----------