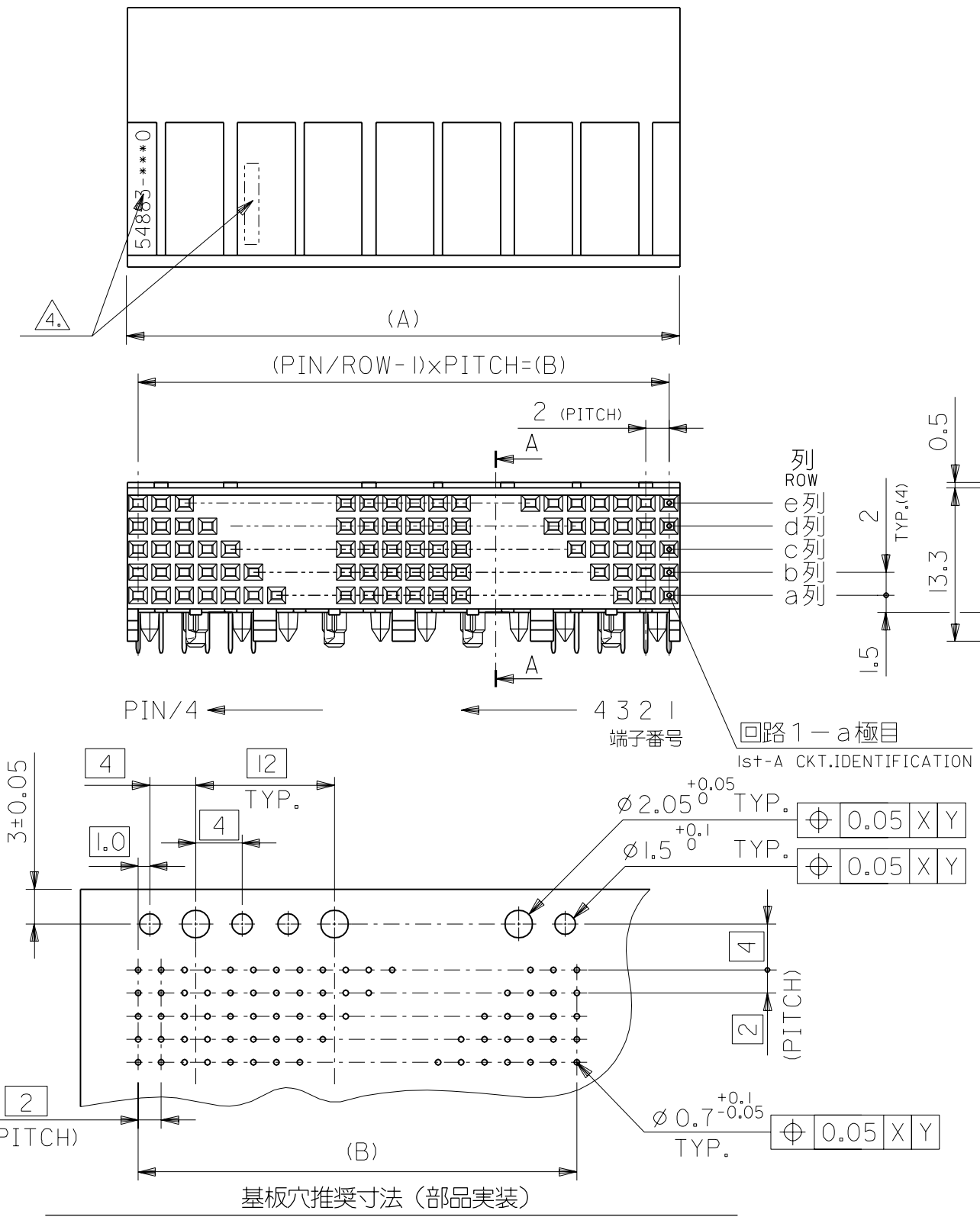


DWG. NO. SD-54883-005

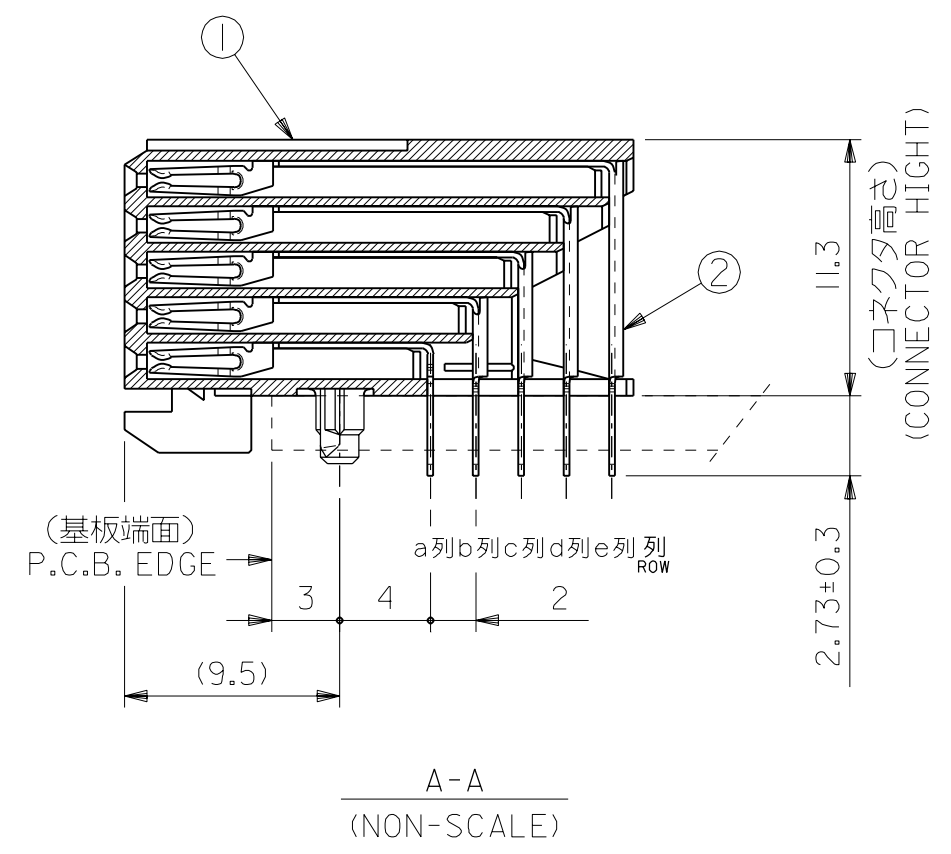
DO NOT SCALE DRAWING

番号 No.	部品 PART NAME	材質 MATERIAL	仕上げ FINISH
①	リセプタクル ハウジング RECEPTACLE HOUSING	液晶ポリマー、ガラス充填、自然色(白)、UL94V-0 LIQUID CRYSTAL POLYMER, GLASS FILLED, NATURAL(WHITE), UL94V-0	—#—
②	リセプタクル ターミナル RECEPTACLE TERMINAL	リン青銅 PHOSPHOR BRONZE	△1.



RECOMMENDED P.C.B.LAYOUT (COMPONENT SIDE)

- 注記
NOTE :
- △1. ターミナル めっき仕様
TERMINAL PLATING
 金めっき : 0.38 μm MIN. (接点部)
 GOLD : 0.38 μm MIN. (CONTACT AREA)
 半田めっき : 1.0 μm MIN. (半田付け部)
 TIN-LEAD : 1.0 μm MIN. (SOLDER AREA)
 ニッケルメッキ : 2.0 μm MIN. (下地めっき)
 NICKEL : 2.0 μm MIN. (UNDER PLATING)
 - 2. 推奨基板厚 : t=2.4mm
RECOMMENDED P.C.B. THICKNESS :
 - 3. 適合プラグ : 55060, 55332, 55333
APPLICABLE PLUG :
 - △4. 製品番号及びロットナンバー
MATERIAL NO. & LOT NO.



94	95.98	54883 - 2400	240
46	47.98	54883 - 1200	120
22	23.98	54883 - 0600	60
10	11.98	54883 - 0300	30
B	A	MATERIAL NO.	PIN

REV		DESCRIPTION	MATERIAL 材料	GENERAL TOLERANCES: (UNLESS SPECIFIED) 一般公差	SCALE	DESIGN UNITS	PROJECTION	TITLE	SHT	REV	
B	A	REVISED JD2001-1438 DRWN: S.HOSHIKAWA '01/04/24 CH'K: A.NODA APPR: H.IKESUGI	—#—	10 UNDER 未満 ±0.2	2-1	mm	2D PROJECTION	TITLE: "MFB" B/B CONN. (FB+) REC. ASS'Y 5ROW DIP	12	ON CAD ONLY	
		RELEASED JD2001-0753 DRWN: S.HOSHIKAWA '00/11/27 CH'K: A.NODA APPR: H.IKESUGI	—#—	10 OVER 30 UNDER 未満 ±0.25							
			FINISH 仕上げ	30 OVER 未満 ±0.3				MOLEX INCORPORATED	1	OF 1	
			WIRE RANGE 適用電線範囲	ANGLE 角度 ±3°							
			INS. RANGE 被覆外径					MATERIAL NO. SEE TABLE	DRAWING NO. SD-54883-005	SHEET NO. 1 OF 1	SIZE B

THIS DRAWING CONTAINS INFORMATION THAT IS PROPRIETARY TO MOLEX INCORPORATED AND SHOULD NOT BE USED WITHOUT WRITTEN PERMISSION.