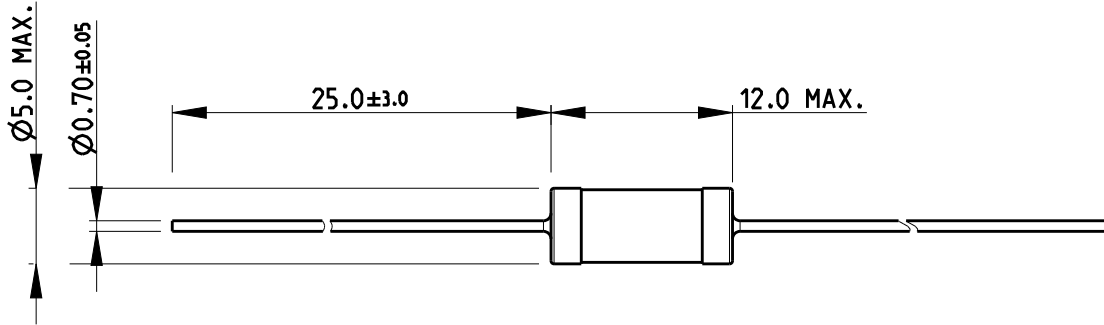
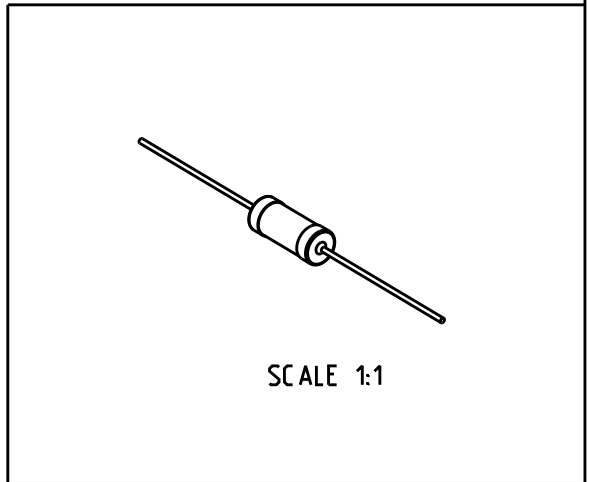


LOC	DIST	REVISIONS					
E	B	P	LTR	DESCRIPTION	DATE	DWN	APVD
			BA1	REVISED PER ECO-11-005150	29MAR2011	RK	HMR
			BA2	REVISED PER ECR-18-018100	19NOV2018	SR	AP

FOR FURTHER INFORMATION SEE DATA SHEET FOR  
CFR SERIES-CARBON FILM FIXED RESISTORS



RoHS Compliant



2008

RELEASED FOR PUBLICATION

ALL RIGHTS RESERVED.

THIS DRAWING IS UNPUBLISHED.

BY -

© COPYRIGHT 2008

DIMENSIONS: mm  TOLERANCES UNLESS OTHERWISE SPECIFIED: 0 PLC ± 0.2 1 PLC ± 0.1 2 PLC ± - 3 PLC ± - 4 PLC ± - ANGLES ± 5°	DWN SUBHASH.M 19-Sep-08 CHK PRAKASH.S 19-Sep-08 APVD STEPHEN.P 19-Sep-08	MATERIAL	-	FINISH	-	
	PRODUCT SPEC -  APPLICATION SPEC -  WEIGHT -	NAME CARBON FILM FIXED RESISTORS SERIES CFR100		SIZE A 4	CAGE CODE 00779	DRAWING NO C- 1623925
CUSTOMER DRAWING			SCALE 2:1	SHEET 1 OF 1	REV BA2	