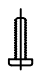
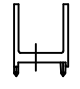
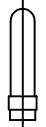


Tous droits strictement réservés. Reproduction ou communication o des tiers interdite sous quelque forme que ce soit sans autorisation (écrite) du propriétaire. © F C I b.v.


Reproduction or issue to third parties in any form, whatever is not permitted without written authority from the proprietor. © F C I b.v.

1 | 2 | 3 | 4 | 5 | 6

| PRODUCT NUMBER | #4-40 PANHEAD MACHINE SCREW   | HYBRIDE HOUSING 12mm  | GUIDE PIN   | REMARKS   |
|----------------|---|---|---|-----------|
|                |  |  |  |           |
| 70425-004LF    | 88911-101LF   | 91098-003LF   |   |           |
| 89077-001LF    | 500 x   | 500 x   | 500 x   | SEE NOTES |

NOTES:

- FOLLOWING INFORMATION ON PACKAGING LABEL
  - ERICSSON p/n SRJ110171/1
  - FCI p/n 89077-001LF
  - QTY per BOX (500)
  - FCI BATCH NR.
- FOR MORE INFORMATION, SEE P/N FROM EACH PART OF KIT
- THIS PRODUCT WITH "LF" SUFFIX MEETS EUROPEAN UNION DIRECTIVES AND OTHER COUNTRY REGULATIONS AS DESCRIBED IN GS -22-008.
- THE PRODUCT IS NOT INTENDED TO BE EXPOSED TO A MANUFACTURING SOLDER PROCESS.

|                       |           |                                       |            |               |  |        |
|-----------------------|-----------|---------------------------------------|------------|---------------|--|--------|
| mat'l. code see table |           | tolerances unless otherwise specified |            | CUSTOMER COPY |  <b>ELECTRONICS</b><br>www.fciconnect.com |        |
| ltr                   | ecn no    | dr                                    | date       | projection    |  |        |
| A                     | H00023    | LLA                                   | 000117     | linear        | title<br><b>METRAL</b><br>Kit Packaging  |        |
| B                     | 0605-0383 | CLu                                   | 051011     | angles        |  |        |
|                       |           |                                       |            | mm            | product family   |        |
|                       |           | dr                                    | L. Lange   | 000117        | metral (tm)  | code   |
|                       |           | engr                                  | W. v. Alst | 000117        | size   | 213    |
|                       |           | chr                                   | W. v. Alst | 000117        | dwg no   | sheet  |
|                       |           | appd                                  | W. v. Alst | 000117        | scale  | 1 of 1 |
|                       |           |                                       |            | 1:1           | A3   | 89077  |
| sheet index           | revision  | B                                     |            |               |  |        |
|                       | sheet     | 1                                     |            |               |  |        |