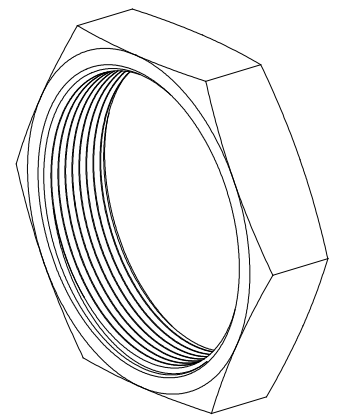
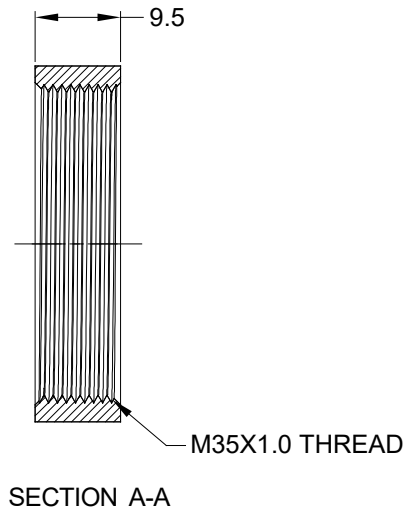
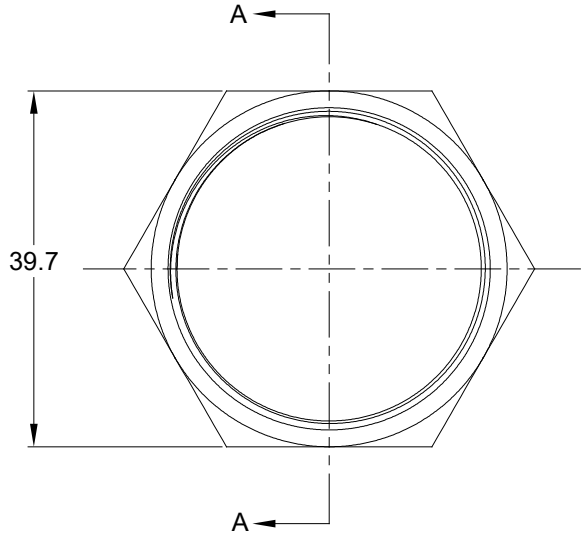


REVISIONS					
REV	ECO	DESCRIPTION	DATE	BY	APPR
A3		RELEASE NEW DWG FORMAT	24JUL13	DRP	
A4	--	UPDATE DRAWING	07/JAN/20	ROOKIE	TOMMY



P/N CHART	
P/N	COLOR
AHD17-PN01	BLACK
AHD17-PN01-GRN	GREEN

NOTES: UNLESS OTHERWISE SPECIFIED

1. MATERIAL: THERMOPLASTIC
2. COLORS: SEE P/N CHART
3. RoHS COMPLIANT
4. USE WITH AHD17-1939PE/PES/PES80
MOUNTING TORQUE IS 3.5-5.0 N.M
5. ALL DIMENSIONS ARE FOR REFERENCE USE ONLY.

SEE P/N CHART		PART NUMBER		DESCRIPTION		ITEM		
QUANTITY								
MATERIALS LIST								
UNLESS OTHERWISE SPECIFIED 1) All dimensions are in metric(mm). 2) Tolerances are as follows: 1 PL DEC ±0.30 Fractions ±1/64 2 PL DEC ±0.15 Angles ±1° 3 PL DEC ±0.08 3) Note reference =			SIGNATURES DATE DRAWN: ROOKIE 07/JAN/20 CHECKED: ORION 07/JAN/20 ENGINEER: APPROVAL: TOMMY 07/JAN/20 CUSTOMER:		<div style="text-align: center;"> <h1>Amphenol</h1> <p>Sine Systems - www.amphenol-sine.com 44724 Morley Drive Clinton Township, MI 48036</p> <p>NUT, AHD SERIES, 35mm</p> </div>			
MATERIAL SPECIFICATIONS:			THIS DRAWING IS SUPPLIED FOR INFORMATION ONLY. DESIGN FEATURES, SPECIFICATIONS AND PERFORMANCE DATA SHOWN HEREON ARE THE PROPERTY OF THE AMPHENOL CORPORATION. NO RIGHTS OF REPRODUCTION ARE IMPLIED. ALL DIMENSIONS ARE SUBJECT TO NORMAL MANUFACTURING VARIATIONS.				SIZE A	TYPE C-
PROCESS SPECIFICATIONS:			DWG NO: AHD17-PN01-XXX				REVISION A4	
NEXT ASSY:			SCALE: NONE		SHEET 1 OF 1			