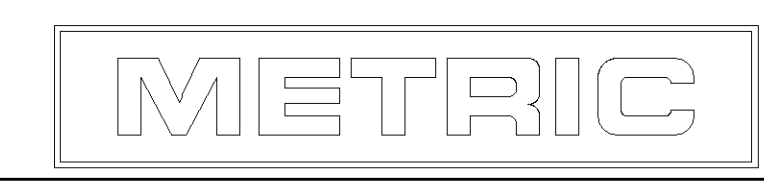
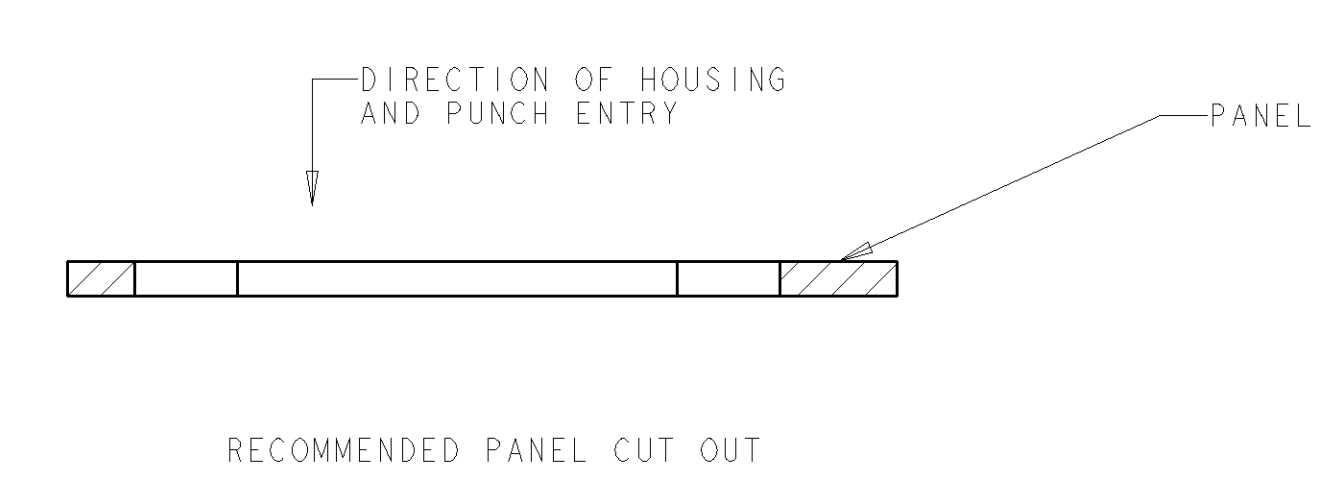
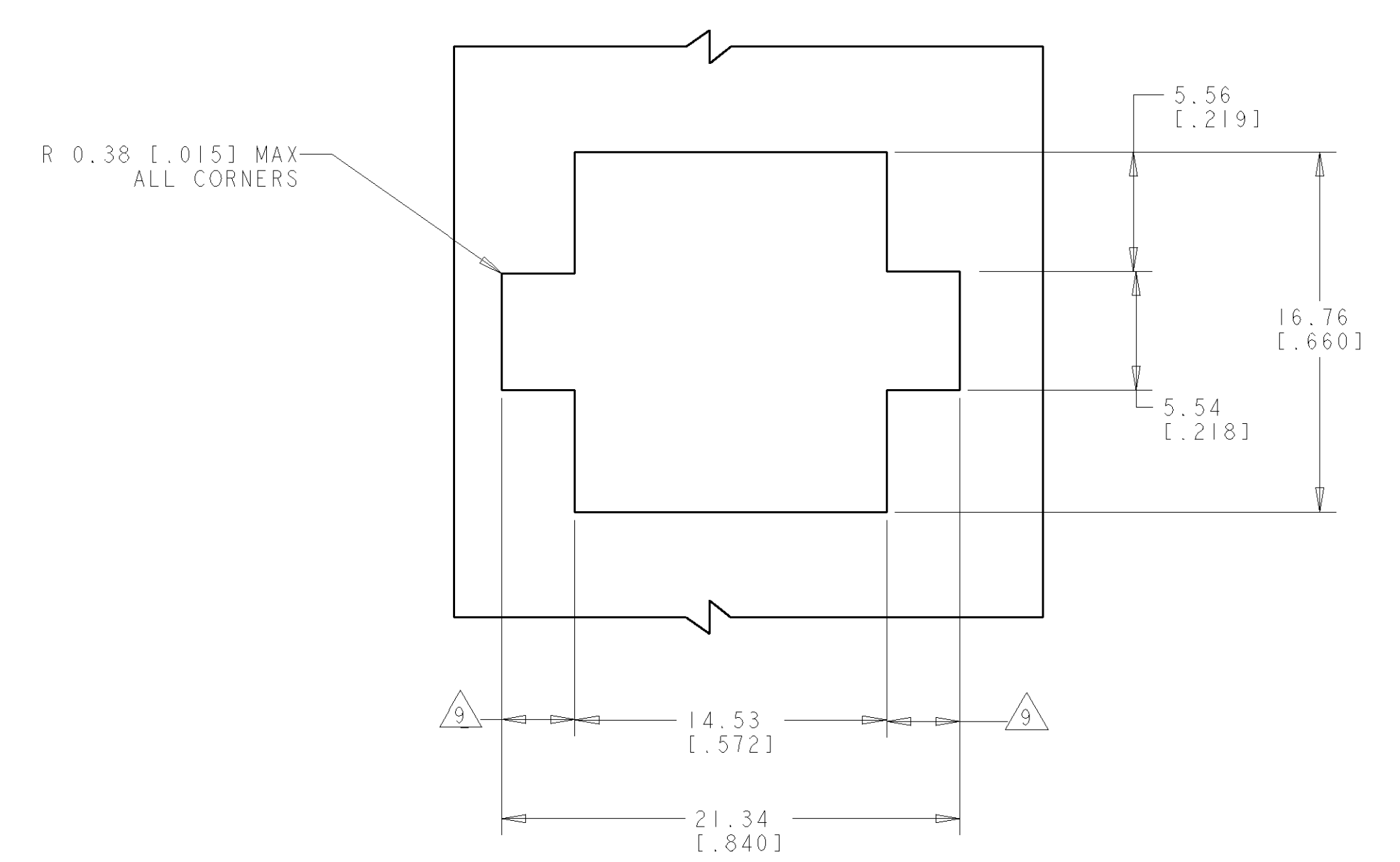
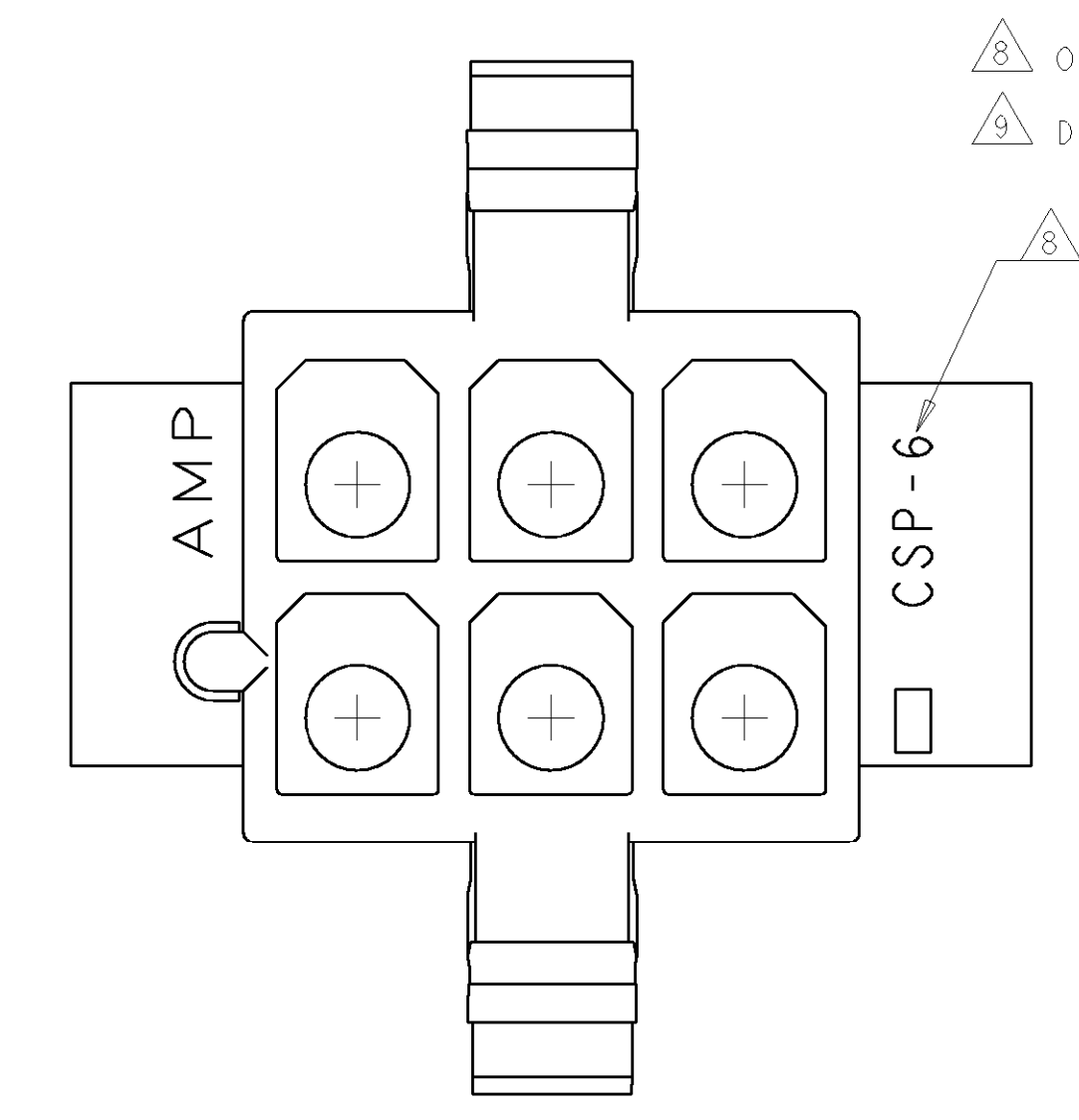
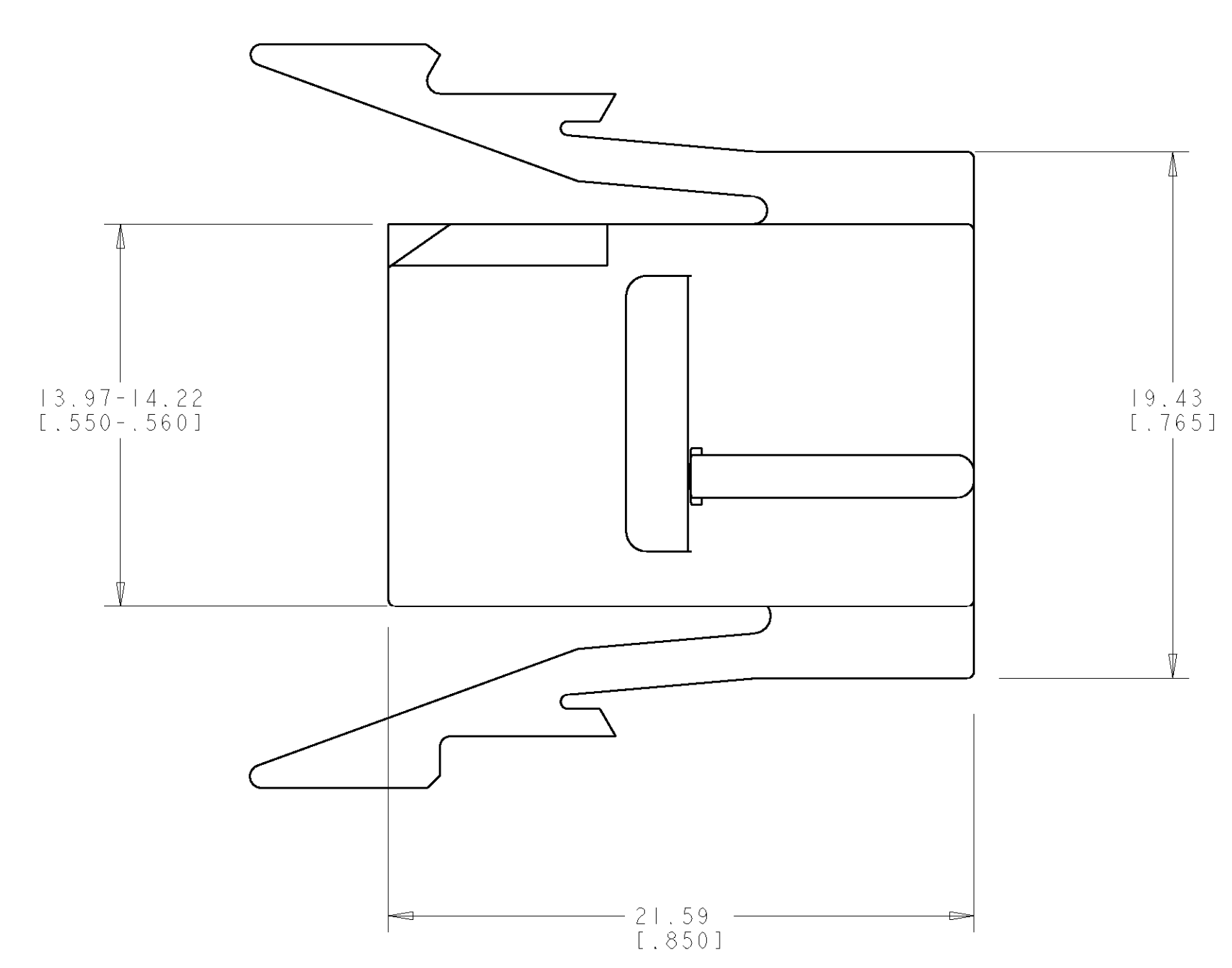
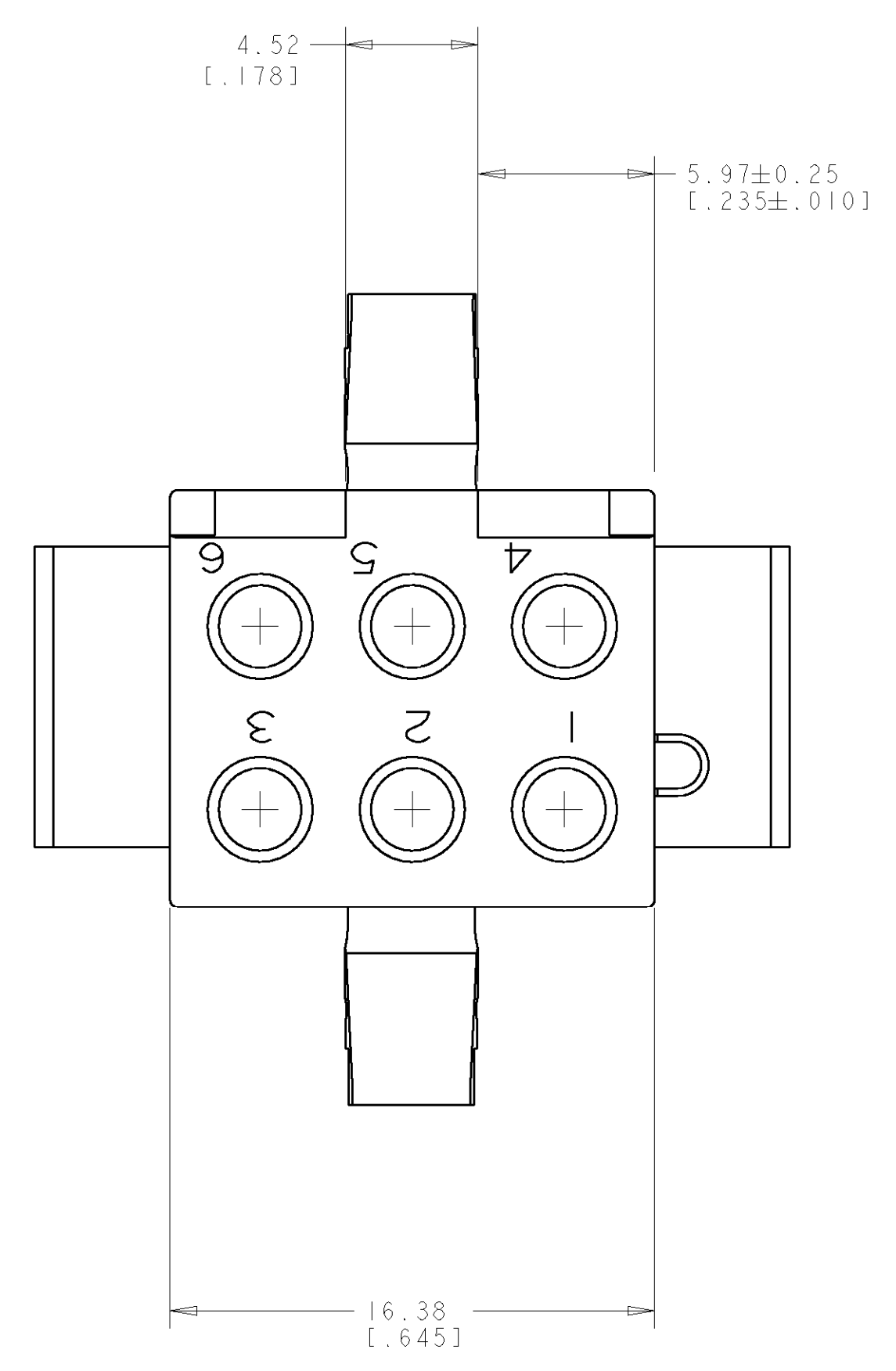


| LOC | | DIST | | REVISIONS | | | |
|-----|----|------|-----|--------------------------|-----------|-----|------|
| CM | 00 | P | LTR | DESCRIPTION | DATE | DWN | APVD |
| | | J | | REVISED PER 0638-0295-01 | 15FEB2002 | KW | DC |

1. TO BE USED WITH MATE-N-LOK™ DUAL LANCE SOCKETS.
 2. MATES WITH CAP 480693.
 3. RECOMMENDED PANEL THICKNESS 0.64-1.65 [.025-.065].
 4. BOTH LOCKING LEGS TO BE SQUEEZED TOGETHER AND HOUSING TO BE INSERTED STRAIGHT IN, AS OPPOSED TO A ROCKING MANNER OF INSERTION.
 5. THE PANEL MUST BE PUNCHED SO THAT THE HOUSING ENTERS THE PANEL IN THE SAME DIRECTION AS THE PUNCH.
 6. PANEL MUST NOT HAVE ANY MATERIAL (PAINT, PORCELAIN, ETC.) APPLIED IN THE MOUNTING HOLE AREA THAT WOULD DECREASE RETENTION OF THE HOUSING IN THE PANEL.
 7. IF NOTES 5 AND/OR 6 ARE NOT COMPLIED WITH, THE 21.34 [.840] DIMENSION SHOULD BE REDUCED TO 20.83 [.820] TO ASSURE PROPER HOUSING RETENTION IN THE PANEL.
- △8 OPTIONAL CONSTRUCTION.
 △9 DIMENSIONS TO BE EQUAL WITHIN 0.13 [.005].



| | | | | | | | |
|-------------------------|---|--|--------------|---|--------------|--|--|
| DIMENSIONS: mm [INCHES] | | TOLERANCES UNLESS OTHERWISE SPECIFIED: | | DWN R. WHITAKER 15FEB2002 | | Tyco Electronics Harrisburg, PA 17105-3608 | |
| 9 PLC | ± | 9 PLC | ± | ENR D. COLEY 15FEB2002 | NAME | | |
| 8 PLC | ± | 8 PLC | ±0.13 [.005] | APVD D. COLEY 15FEB2002 | PRODUCT SPEC | | |
| 5 PLC | ± | 5 PLC | ± | APPLICATION SPEC | | | |
| 4 PLC | ± | 4 PLC | ± | WEIGHT | | | |
| ANGLES | ± | ANGLES | ± | SIZE CAGE CODE DRAWING NO RESTRICTED TO | | | |
| MATERIAL NYLON | | FINISH | ±0°30' | A 00779 C-480690 | | | |
| CUSTOMER DRAWING | | | | SCALE 5:1 SHEET 1 OF 1 REV J | | | |

| | |
|---------|-------------|
| BLACK | 1-480690-9 |
| NATURAL | 1-480690-0 |
| COLOR | PART NUMBER |