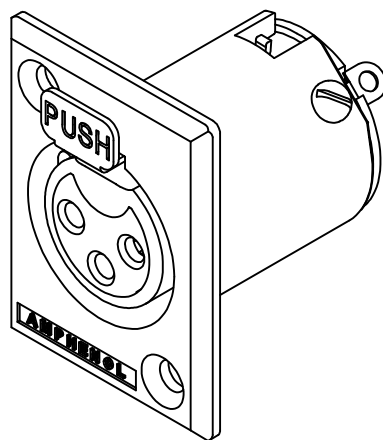


PANEL CUT OUT



ISO VIEW

AC*FPZ	INSERT No.
AC3FPZ	156-4065-*00
AC4FPZ	156-4073-*00
AC5FPZ	156-4074-*00
AC6AFPZ	156-4075-*00
AC7FPZ	156-4076-*00

UNLESS OTHERWISE SPECIFIED TOLERANCE TO BE		THIS DOCUMENT IS THE PROPERTY OF AMPHENOL AUSTRALIA PTY. LTD.. NO PART THEREOF MAY BE REPRODUCED AND USED WITHOUT THE PRIOR WRITTEN CONSENT OF THE OWNER				2	UPDATE TO AMPHENOL TITLE BLOCK & LOGO ADD SHEET 2 OF 2 FOR CUSTOMER DRAWING	L.V	02-10-01	7871
LINEAR	ANGULAR	CAD FILE: 00822102		DRN:	D.v.E.	0	FIRST ISSUE	D.v.E.	21-09-1995	----
X ± 0.50	X' ± 1'	MATERIAL: REFER TO COMPONENT		CKD:	M.N.H	REV.	CHANGE DETAILS	BY	DATE	CHG/No
X,X ± 0.10	X'X' ± 30'	FINISH: REFER TO COMPONENT		APP'D:	P.M	TITLE:		<b>AC*FPZ</b> <b>PANEL MOUNT</b> <b>CUSTOMER DRAWING</b>		
X,XX ± 0.05	X'X'X' ± 15'	DO NOT SCALE		THIRD ANGLE PROJECTION		DATE: 21-09-95		<b>Amphenol</b> Amphenol Australia Pty Ltd, 2 Fineways Blvd, Keysborough, Vic 3173		
DIMENSIONS IN MILLIMETRES		SCALE: 2:1 UOS		PART No: 128462-0000		DATE: 24-10-01		DRAWING NO. SHEET		
				SIZE: A3		DATE: 29-10-01		128462-0000 2 OF 2		