

THIS DRAWING IS UNPUBLISHED.

RELEASED FOR PUBLICATION

20

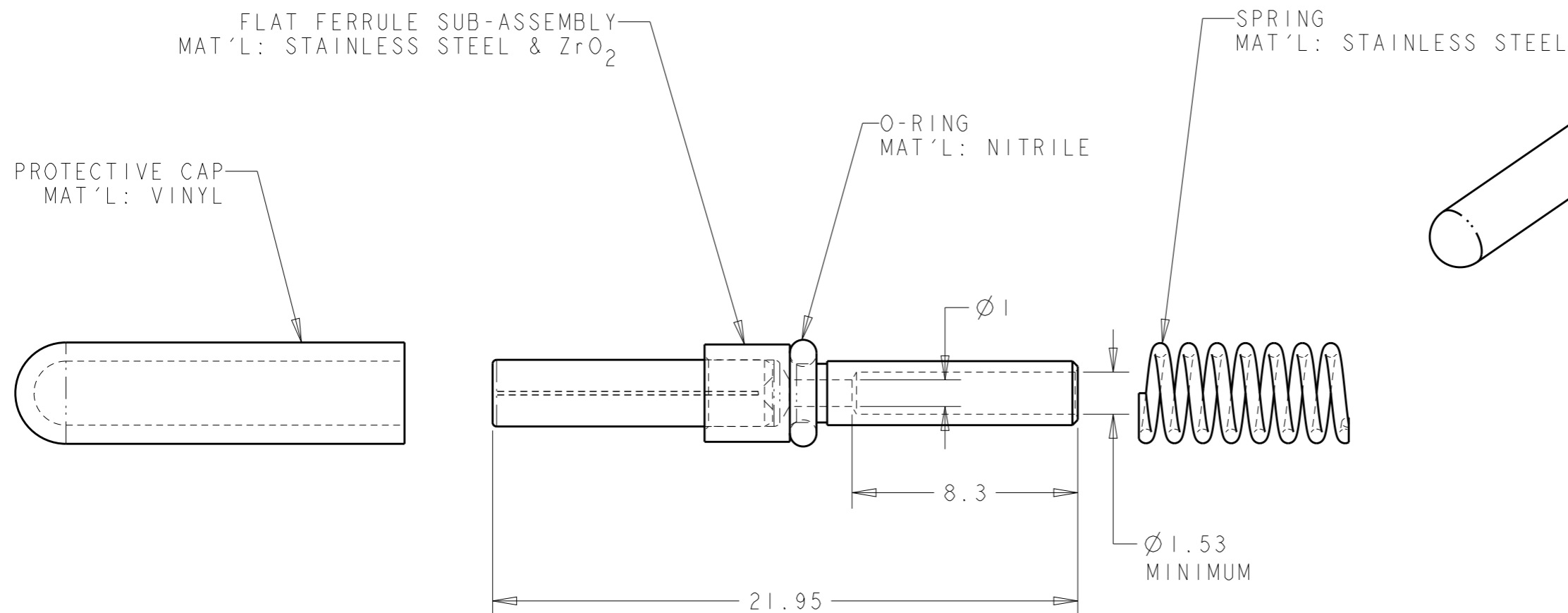
© COPYRIGHT 20 BY -

ALL RIGHTS RESERVED.

REVISIONS

P	LTR	DESCRIPTION	DATE	DWN	APVD
	D	ECR-15-003024	01DEC2015	KG	DW
	E	ECR-17-000370	13JAN2017	KG	DW

- 1. FOR USE WITH TE PRO BEAM SR. MULTIMODE EXPANDED BEAM INSERT.
- 2. ALL DIMENSIONS ARE FOR REFERENCE ONLY.



SCALE 3:1

1588801-1

PART NUMBER

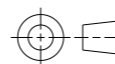
THIS DRAWING IS A CONTROLLED DOCUMENT.

DWN 23 JUL 2002
 K. GLATFELTER
 CHK 25 JUL 2002
 D. WERTMAN
 APVD 30 JUL 2002
 D. WERTMAN



DIMENSIONS:

mm



TOLERANCES UNLESS OTHERWISE SPECIFIED:

- 0 PLC ±-
- 1 PLC ±-
- 2 PLC ±-
- 3 PLC ±-
- 4 PLC ±-
- ANGLES ±-

MATERIAL AS LISTED

FINISH N/A

PRODUCT SPEC -
 APPLICATION SPEC -
 WEIGHT -

NAME FERRULE KIT, PRO BEAM SR, FLAT ENDFACE

SIZE CAGE CODE DRAWING NO RESTRICTED TO

A3 00779 C-1588801

CUSTOMER DRAWING

SCALE 5:1 SHEET 1 OF 1 REV E