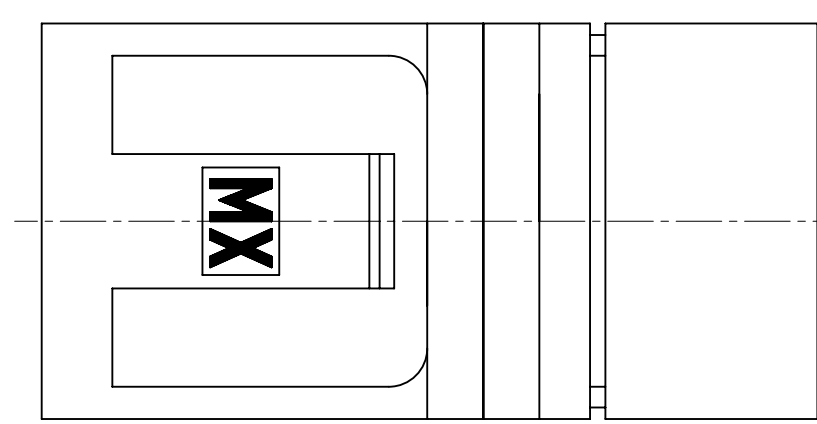
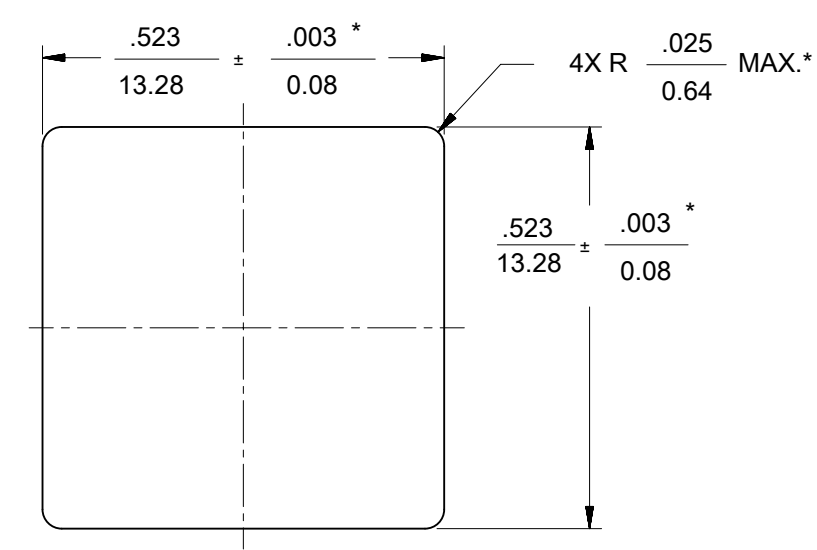
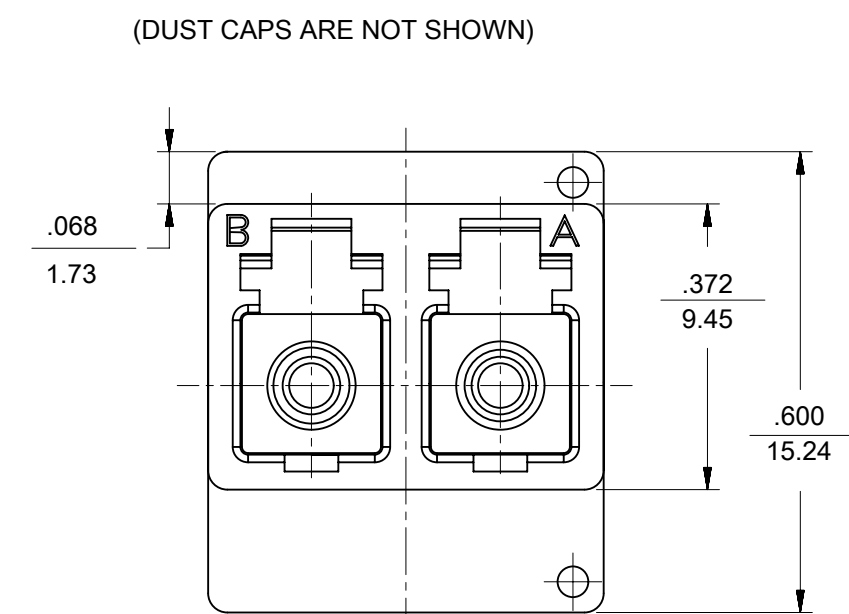
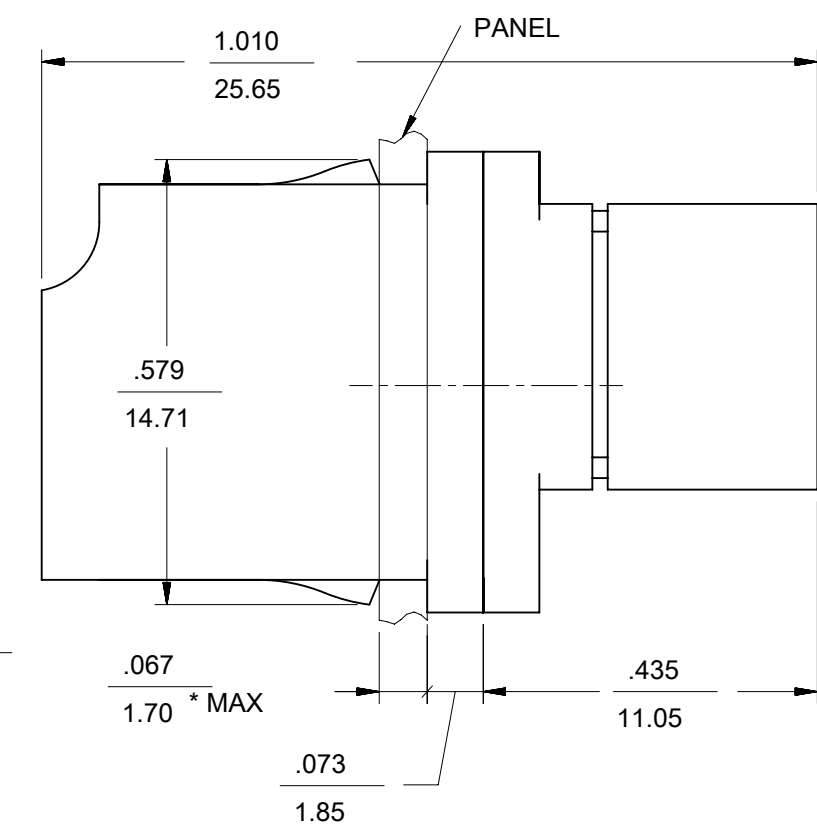
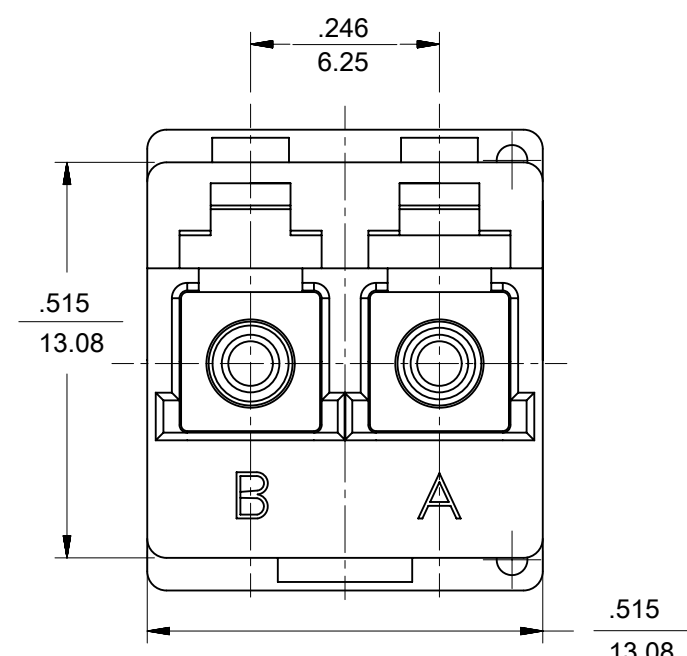


ADAPTER P/N	COLOR	SPLIT SLEEVE MATERIAL
106125-1000	BLUE	ZIRCONIA - ZrO ₂
106125-1050	GREEN	
106125-0000	BLUE	
106125-1010	BEIGE	
106125-1090	RED	
106125-1070 SEE NOTE 2	BLUE	



RECOMMENDED PANEL CUTOUT
 PANEL THICKNESS $\frac{.067}{1.70}$ MAX.

- NOTES:
1. ALL DIMENSIONS ARE FOR REFERENCE ONLY, EXCEPT WHEN MARKED WITH (*).
 2. ADAPTERS 1061251070 ARE BULK PACKAGED 10 pcs PER BAG.

THIS DRAWING CONTAINS INFORMATION THAT IS PROPRIETARY TO MOLEX ELECTRONIC TECHNOLOGIES, LLC AND SHOULD NOT BE USED WITHOUT WRITTEN PERMISSION										
DIMENSION UNITS IN/MM		SCALE 4:1		CURRENT REV DESC:				molex		
GENERAL TOLERANCES (UNLESS SPECIFIED)				EC NO: 652962						
4 PLACES ±		MM		INCH		DRWN: SKRISHNAMU01 2021/05/28		LC DUPLEX ADAPTER, LOW PROFILE		
3 PLACES ±		APPR: WCHEN 2021/08/24				CHK'D: WCHEN 2021/08/24				
2 PLACES ±		INITIAL REVISION:				PRODUCT CUSTOMER DRAWING				
1 PLACE ±		DRWN: PGIPLIN 2005/10/03				DOCUMENT NUMBER				
0 PLACES ±		APPR:				SD-106125-X0X0		DOC TYPE	DOC PART	REVISION
ANGULAR TOL ± 0.5°		THIRD ANGLE PROJECTION		DRAWING		SERIES		SHEET NUMBER		
DRAFT WHERE APPLICABLE MUST REMAIN WITHIN DIMENSIONS		B-SIZE		106125		MATERIAL NUMBER		CUSTOMER		
						SEE TABLE		GENERAL MARKET		
								1 OF 1		