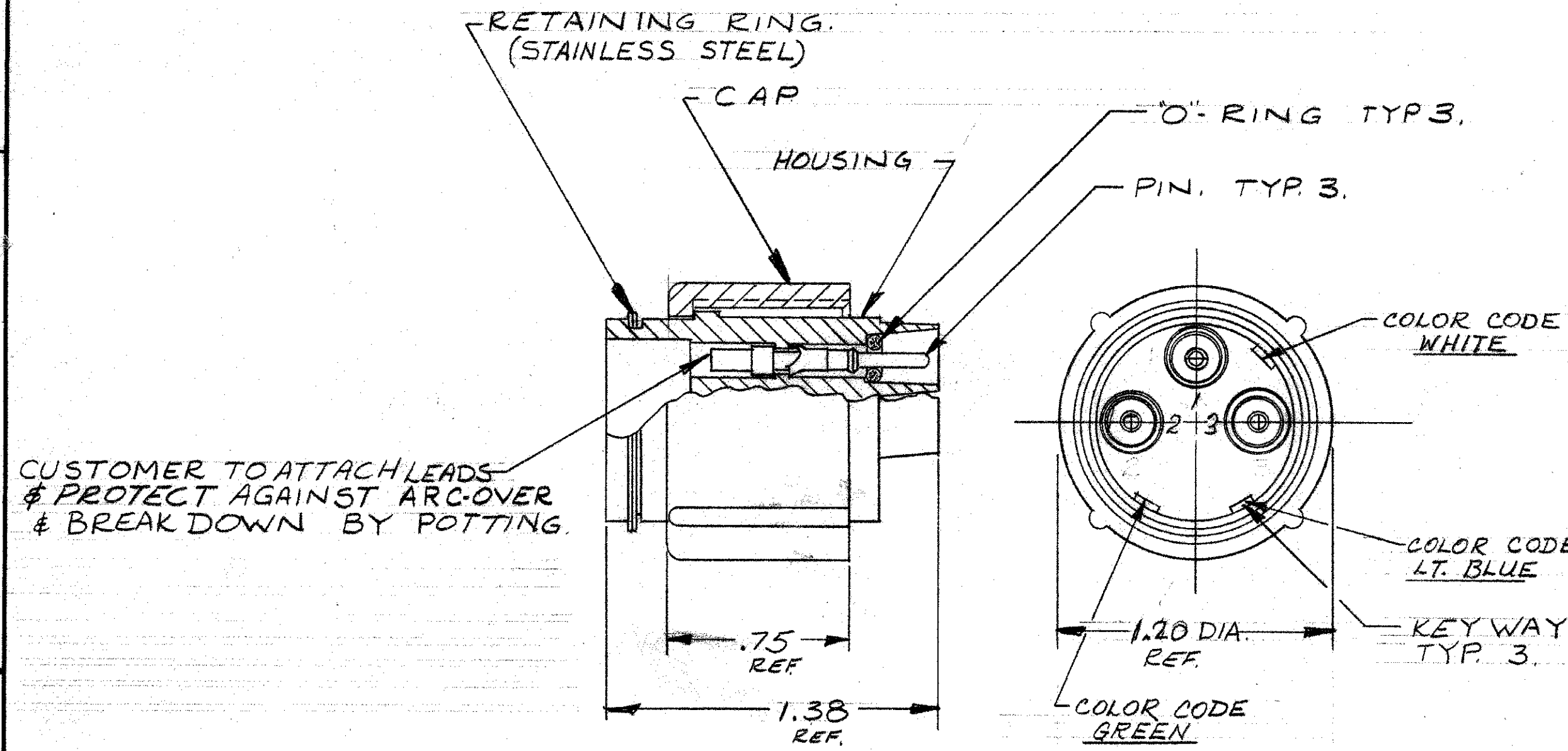


© 1977 BY AMP INCORPORATED. ALL RIGHTS RESERVED. AMP PRODUCTS COVERED BY PATENTS AND/OR PATENTS PENDING.

THIS PRODUCT DESIGNED AND BUILT BY AMP INCORPORATED. NO LICENSE TO USE THAT DESIGN IN MANUFACTURE, OR TO USE ANY ISSUED OR PENDING PATENTS WHICH ARE INVOLVED, IS IMPLIED.

REVISIONS				
ZONE	LTR	DESCRIPTION	DATE	APPROVED
	A	1.19 DIA. WAS 1.12; RET. RING WAS RUBBER; ADDED COLOR CODE TO KEYWAYS 2, 3.	3/15/72	M.S.
	B	ADDED -2 REV. NOTES	1/25/72	M.S.
	C	ADDED -3	2-26-76	M.S.
	D	MATED RECT P/N WAS 859527-1, NOTE 2.	10-22-76	Q.W.S.
	E	ADDED -4, -5, -6	6-29-77	M.S.
	F	REV. PER E.C.N. 8603	1-30-79	M.S.
	G	OBSOLETE -3, -5, -6	ECN 53615	R.S.
✓	H	REACTIVATE -5 PER ECN DFO269	12/16/87	MR M.S.
✓	J	OBS-2 ECN DFO376	2-2-89	T.W.
	K	REV PER 0414-120-03	10-04	CT

Unpublished copy not to be reproduced or distributed without written permission of AMP Incorporated.



CUSTOMER TO ATTACH LEADS & PROTECT AGAINST ARC-OVER & BREAKDOWN BY POTTING.

NOTE:

1. PLUG WILL WITHSTAND WITHOUT BREAKDOWN 27 KVDC PIN TO PIN & 27 KVDC PIN TO GND. WHEN MATED WITH OPT. # 859527-1
2. PLUG & PINS, SHIPPED SEPARATELY.
3. TYPE II PINS TO ACCEPT ONE 20 AWG, (O) 22 AWG, OR (1) 24 AWG STRANDED WIRE
4. TYPE II PINS TO ACCEPT ONE 16 AWG, OR (U) 18 AWG STRANDED WIRE
5. TO REMOVE PINS, USE EXTRACTION TOOL # 8G1751-1
6. TYPE II PINS TO ACCEPT ONE (1) 14 AWG STRANDED WIRE.

AMP P/N	WIRE SIZE RANGE	HAND TOOL	COLOR CODING
860263-1	20, 22, 24	45099	YES
OBSOLETE	-2 16, 18	45098	YES
OBSOLETE	-3 14	45098	YES
	-4 20, 22, 24	45099	NO
	-5 16, 18	45098	NO
OBSOLETE	860263-6 14	45098	NO

ITEM NO.	DWG SIZE	PART OR IDENTIFYING NO.	NOMENCLATURE OR DESCRIPTION	SYMBOL
PARTS LIST				
UNLESS OTHERWISE SPECIFIED: DIMENSIONS ARE IN INCHES TOLERANCES .00 ± ANGLES = .000 ±		CONTRACT NO. DR <i>C. Stamer</i> 3-15-72 CHK APPD <i>M. Anderson</i> 3/15/72 APPD		
MATERIAL: MOLDED PLASTIC		AMP INCORPORATED CAPITRON DIVISION ELIZABETHTOWN, PENNSYLVANIA		
FINISH: BLACK		NAME PLUG ASS'Y 3 PIN. LGH.		
NEXT ASSY		DSGN APPD		SIZE
FINAL ASSY		OTHER APPD		CODE IDENT NO.
QTY REQD	APPLICATION	SCALE NONE		NUMBER
		WT		REV
		SHEET 1 OF 1		K