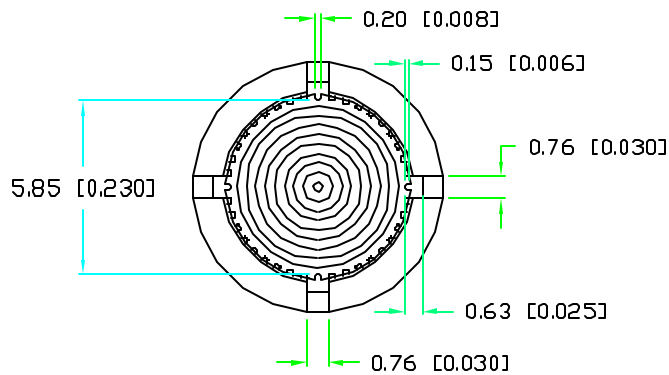
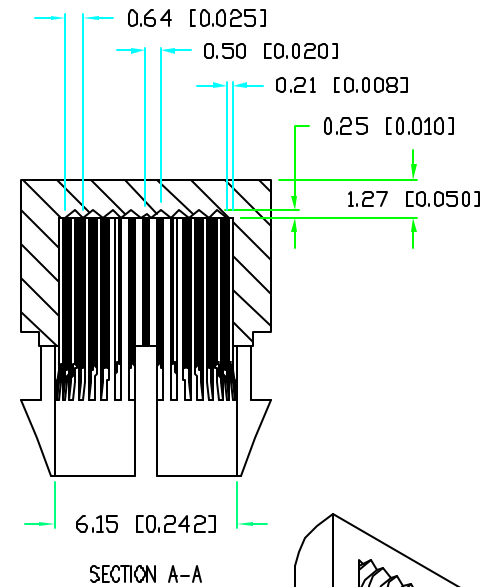
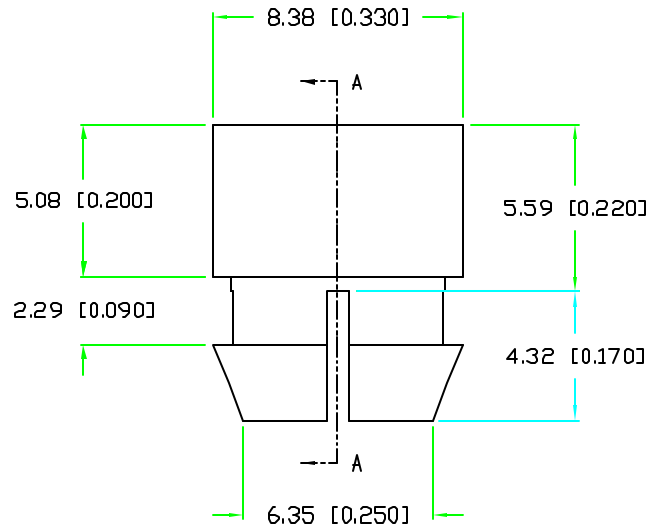
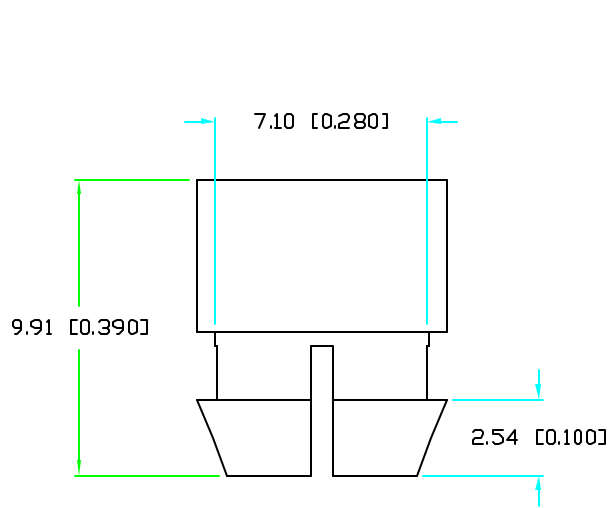


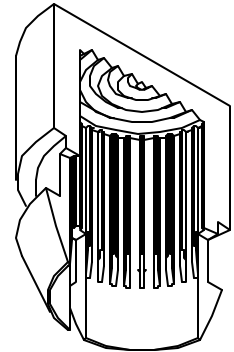
UNCONTROLLED DOCUMENT

PART NUMBER		REV.
SSN-LX13049L-RD		B
REV.	E.C.N. NUMBER AND REVISION COMMENTS	DATE
A	REDRAWN.	7-19-95
B	E.C.N. #10BRDR. & REDRAWN (MODELED).	3-2-99



NOTES:

1. MATERIAL: POLYCARBONATE LEXAN 123 OR SIMILAR.
2. COLOR: RED TRANSPARENT.
3. FINISH: OUTSIDE POLISHED, INSIDE AS MOLDED.
4. MOUNTING HOLE: 7.37 [0.290"] TO 7.95 [0.313"].



UNCONTROLLED DOCUMENT
 *UNLESS OTHERWISE SPECIFIED TOLERANCE IS ±0.25mm (±0.010")

REV.	PART NUMBER
B	SSN-LX13049L-RD
LED PANEL LENS CLIP IN RED POLYCARBONATE.	

CONFIDENTIAL INFORMATION
 THE INFORMATION CONTAINED IN THIS DOCUMENT IS THE PROPERTY OF LUMEX INC. EXCEPT AS SPECIFICALLY AUTHORIZED IN WRITING BY LUMEX INC., THE HOLDER OF THIS DOCUMENT SHALL KEEP ALL INFORMATION CONTAINED HEREIN CONFIDENTIAL AND SHALL PROTECT SAME IN WHOLE OR IN PART FROM DISCLOSURE AND DISSEMINATION TO ALL THIRD PARTIES.

RELIABILITY NOTE
 OUR MANY YEARS OF EXPERIENCE DATA ACCUMULATION INDICATE THAT SOLDER HEAT IS A MAJOR CAUSE OF EARLY AND FUTURE FAILURE. PLEASE PAY ATTENTION TO YOUR SOLDERING PROCESS.

LUMEX INCORPORATED		290 E. HELLEN ROAD PALATINE, ILLINOIS 60067 PHONE: 1-847-359-2790 WEB: HTTP://WWW.LUMEX.COM	
DRAWN BY:	CHECKED BY:	APPROVED BY:	DATE: 5-1-91
DU			PAGE: 1 OF 1 SCALE: N/A