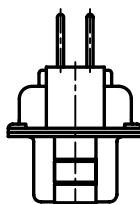
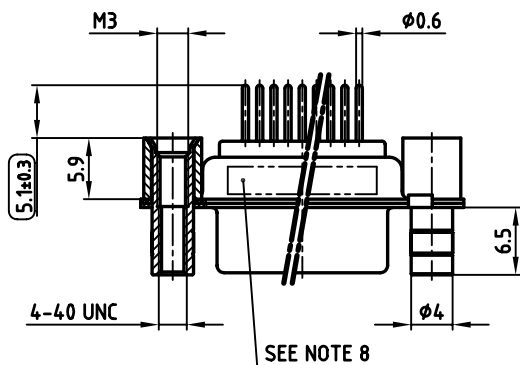
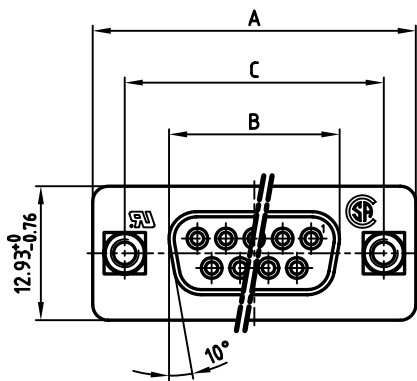
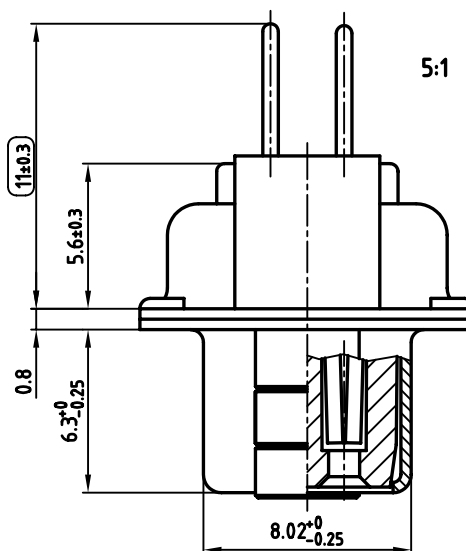


used for: D-SUB

No. of pos.	A ^{-0.76}	B ^{-0.25}	C	Part NO.
9	31.19	16.46	25.00 ^{+0.12} _{-0.13}	164A12919X
15	39.52	24.79	33.30 ^{+0.15} _{-0.1}	164A12929X
25	53.42	38.50	47.04 ^{+0.13}	164A12939X
37	69.70	54.96	63.50 ^{+0.13}	164A12949X



NOTES:

- METALSHELLS: STEEL; min. 320µ" TIN
- INSULATORS: PBT GF UL 94 V-0, BLACK
- CONTACTS: COPPER ALLOY
PLATING: 8µ" HARD GOLD OVER min. 50µ" NICKEL
- THREADED REAR SPACER/FRONT THREADED LOCK: COPPER ALLOY; min. 200µ" TIN over 80µ" NICKEL
- SLEEVE: COPPER ALLOY; min. 200µ" TIN over 80µ" NICKEL
- P.C.B. HOLE DRILLINGS ON SHEET 2
- MAXIMUM TORQUE VALUE FOR THREAD: 6" LBS
- CONNECTOR IS PART MARKED: PART-NO. CONEC ABC
- = CHECK DIMENSION



APPROVAL # FREIGABE # DEBLOCAGE # AUTORIZACION # APPROVAL

CUSTOMER APPROVAL DATE:

NAME: TITLE:

COMPANY NAME:

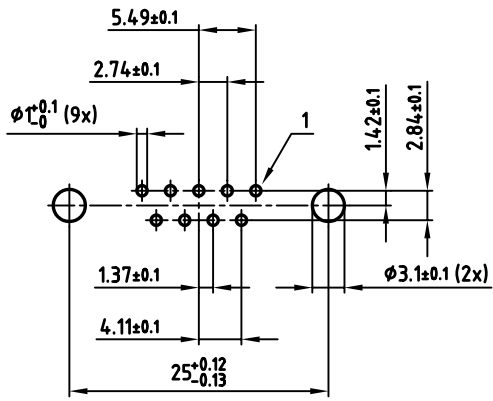
APPROVAL # FREIGABE # DEBLOCAGE # AUTORIZACION # APPROVAL

THIS DRAWING MAY NOT BE COPIED OR REPRODUCED IN ANY WAY, AND MAY NOT BE PASSED ON TO A THIRD PARTY, WITHOUT WRITTEN PERMISSION. OWNERSHIP AND COPYRIGHT OF CONEC GmbH DO NOT ALTER CAD DRAWING BY HAND

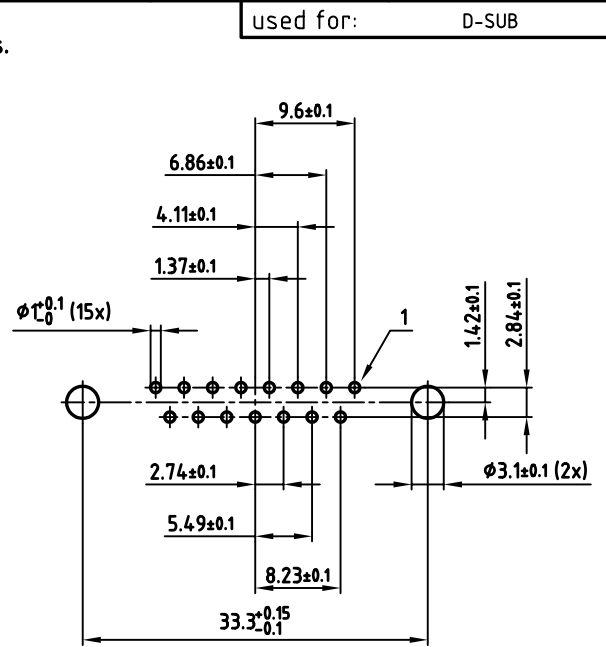
rev.	description	date	name
a	Origin		

tolerance	dim. in mm	scale: 2:1 (5:1)
material:	SEE NOTES	material:
2006	date	name
drawn	07.02.	Lehmenkühler
appd.	07.02.	Mickenbecker
norm	DIN 41652	
d-old		
CONEC		title: D-SUB FEMALE 9-37pos. SOLDER PIN STRAIGHT with threaded rear spacer, front threaded lock
		dwg no: AutoCAD 2004 DIN-A
		16K1A1728 3 sh:1/2
part no: SEE TABLE		

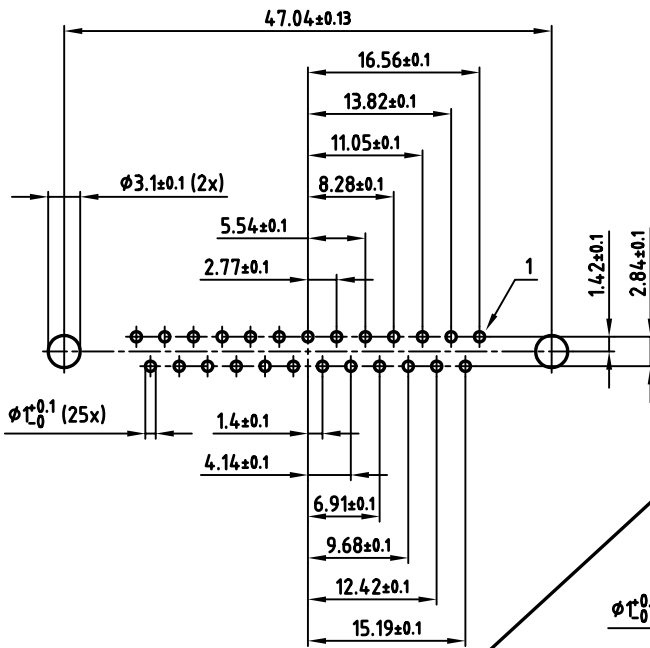
9 pos.



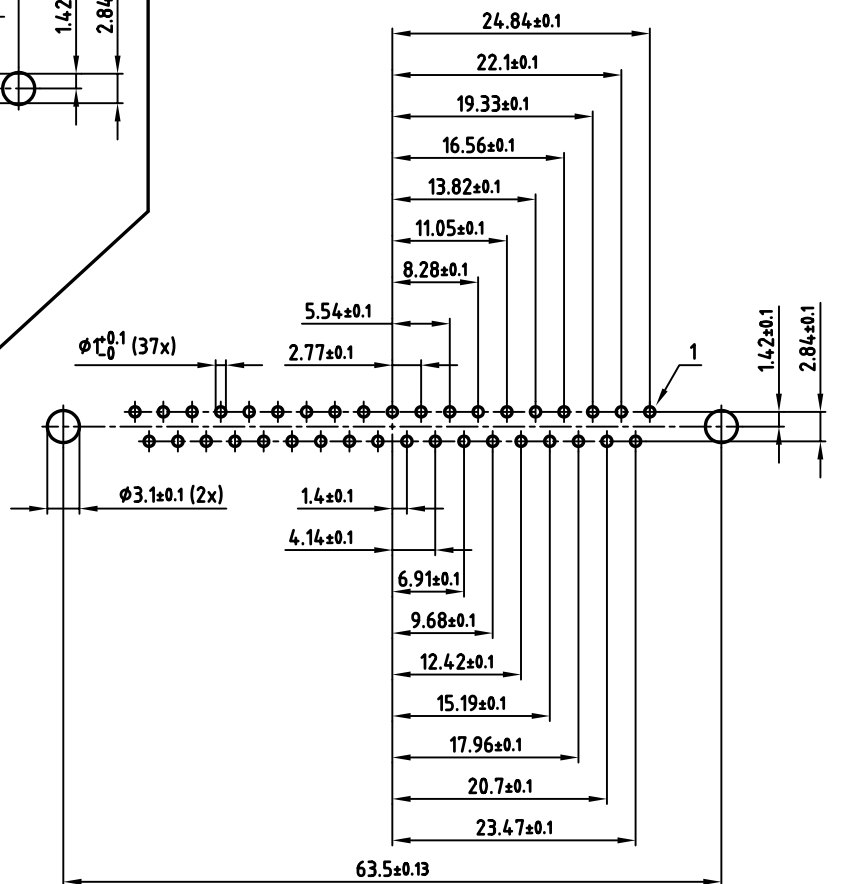
15 pos.



25 pos.



37 pos.



APPROVAL # FREIGABE # DEBLOCAGE # AUTORIZACION # APPROVAL

CUSTOMER APPROVAL DATE:

NAME: TITLE:

COMPANY NAME:

APPROVAL # FREIGABE # DEBLOCAGE # AUTORIZACION # APPROVAL

THIS DRAWING MAY NOT BE COPIED OR REPRODUCED IN ANY WAY, AND MAY NOT BE PASSED ON TO A THIRD PARTY, WITHOUT WRITTEN PERMISSION. OWNERSHIP AND COPYRIGHT OF CONEC Gmbh DO NOT ALTER CAD DRAWING BY HAND

rev.	description	date	name
a	Origin		

tolerance		scale:	2:1
	dim. in mm	material:	SEE SHEET 1
2006	date	name	
drawn	07.02.	Lehmenkühler	
appd.	07.02.	Mickenbecker	
norm	DIN 41652		
d-old			
CONEC			

title:

P.C.B. HOLE DRILLINGS
D-SUB FEMALE 9-37pos. SOLDER PIN
with threaded rear spacer, front threaded lock

dwg no: AutoCAD 2004 DIN-A

16K1A1728 3 sh:2/2

part no: SEE SHEET 1