



REED SWITCH DEVELOPMENTS CORP.

2524 Norwood Court
Racine, WI 53403
Ph: (262)883-9060

sales@reedswitchdevelopments.com

SPECIFICATION SHEET

2105-1091-400

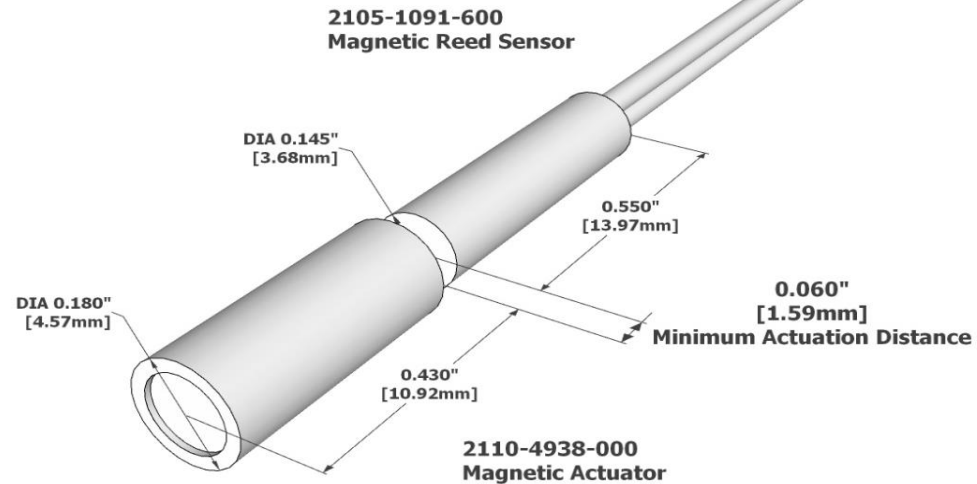
Alternate Part Number:
AM2105-1091-10K01

Active / Equivalent Part Numbers:

- 2105-1091-400 - KIT - Contains
 - (1) 2105-1091-600 - Magnetic Reed Sensor
 - (1) 2110-4902-000 - Magnetic Actuator
- AM2105-1091-10K01 - KIT - Contains
 - (1) AM2105-1091-60-01 - Magnetic Reed Sensor
 - (1) AM2110-4902-00-01 - Magnetic Actuator

Sensor (Reed) - Specifications		1091	
Physical	Configuration	SPST	
	Form	A	
	Contact Position	CENTER	
	Glass L	7.00	mm
	Glass D	1.80	mm
	Total L*	46.00	mm
	Wire D	0.45	mm
	Gap Location	CENTER	
	Mount Spec*	THRU	
	Contact Material	RUTHENIUM	
	Max Vibration Resistance	10	G
	Max Shock Resistance (11ms)	100	G
	Lead Tensile Strength	N/A	KG
	Operating	Pull in (+/- 2AT)*	7 - 12
Drop out*		3 - 16	AT
Operate Time		0.115	ms
Bounce Time		0.035	ms
Release Time		0.035	µs
Resonant Frequency		17900	Hz
Max Operating Frequency		N/A	Hz
Operating Temperature Range		-55 - 105	°C
Storage Temperature		N/A	°C
Electrical		DC Contact Rating	10
	AC Contact Rating	N/A	VA
	DC Switching Voltage	170	VDC
	AC Switching Voltage	120	VAC
	DC Switching Current	0.500	A
	AC Switching Current	0.500	A
	DC Max Carry Current	0.500	A
	AC Max Carry Current	0.500	A
	Min Breakdown Voltage	210	VDC
	Max Initial Contact Resistance	150	mOhm
	Typical Initial Contact Resistance	120	mOhm
	Max Contact Capacitance	0.350	pF
	Min Insulation Resistance	10 ⁶	Ohm

* Pre-processed, bare reed element



All measurements are in Inches [millimeters]

Sensor - Wire/Cable Characteristics (cont.)

Type	Wire
Conductor Count	2
Length	6.0"/152.4mm
Colors	BLK
Insulation Material	PVC
Gauge	24 AWG
Stranded Copper	7 STR-TC
Maximum Temp	105°C

Housing Characteristics 2105

Cylindrical Smooth	
Length / Thickness	0.550"/13.97mm
Diameter	0.145"/3.68mm
Material	Celanex 3316

Standard Actuator: 2110-4902-000

Specifications	Description	UM
Magnetic Orientation	Through Length	
Max Operating Temp.	176°/80°	°F/°C
Curie Temp.	536°/280°	°F/°C
BR max	11	kGauss
BH max	30	MGOe
Coercive Force Hc	10	kOe
Intrinsic Coercive Force Hci	18	kOe
Standard Sensor/Actuator - Min. Actuation Distance		
2110-4902-000	0.06"/1.6mm	
Assembly Certifications		
UL Recognized (File #: E102207)	N	
RoHS / Reach Compliant	Y	
Conflict Free Material	Y	

REV DATE: 10/06/2021

DISCLAIMER NOTICE: INFORMATION FURNISHED IS PROPRIETARY, AND IS BELIEVED TO BE ACCURATE AND RELIABLE, AND IS SUBJECT TO CHANGE WITHOUT NOTICE. IT SHALL BE THE RESPONSIBILITY OF THE BUYER TO ENSURE THAT THE GOODS ARE SUFFICIENT AND SUITABLE FOR THE PURPOSE OR PURPOSES INTENDED (WHETHER BY THE BUYER OR BY ANY THIRD PARTY) AND THAT THEIR CAPACITY AND PERFORMANCE IS NOT ADVERSELY AFFECTED BY ANY ITEMS USED IN THEIR INSTALLATION (WHERE RELEVANT) AND/OR IN CONNECTION WITH THEM.

WBE Certified - State of Wisconsin - MFR CAGE CODE: 32604

www.reedswitchdevelopments.com