

FSP3 Series

FSP3-277-20KA(NI) / FSP3-480-20KA(NI)

Patent-pending 3-Pole Fused In-Line Surge Protectors
For LED Drivers, with or without Operating Indicator LED

Rev 12-17-2018

Features

FSP3 Surge Protectors are designed for use in conjunction with LED Drivers to provide an additional level of protection against powerline disturbances in industrial or commercial applications.

- **UL Certified for Factory or Field Wiring**
- FSP3-277-20KA is a 4-leaded device primarily for universal input Phase to Neutral applications and provides protection that includes Line to Neutral, Line to Ground and Neutral to Ground possible couplings
- FSP3-480-20KA is a 5-leaded device for 480VAC Phase to Phase applications and provides protection that includes one Phase to a second Phase, one Phase to Ground, and second Phase to Ground possible couplings
- Provides a positive indication of End-of-Life by opening voltage to the load, and turning off the fixture
- Versions available with and without a green LED indicator - when on, it indicates that the FSP3 is fully functional and providing protection and when off, it indicates that the FSP3 has reached End-of-Life and needs to be replaced
- Protects against surges and transients per ANSI C62.41-2002 category C high (10KV, 1.2/50µS & 10KA, 8/20µS) standard Combo waves and (6KV, 100KHz) Ring wave
- Protects against surges and transients per new ANSI C82.77-5 2015 category C high (20KV, 1.2/50µS & 10KA, 8/20µS) standard Combo waves and (6KV, 100KHz) Ring wave
- UL Recognized Component in the United States and Canada (UL1449)
- Complies with IEC 61643-11; 8.3.4.3
- Patent Pending
- 277V Models: Protection for LED drivers capable of operating at 277V input voltage or with universal input range of 120V through 277V
- 480V Models: Protection for LED drivers capable of operating at 480V input voltage or with universal input ranges of 277V through 480V or 347V through 480V



Test qualified for Texas DOT,
Departmental Materials Specification
for LED Roadway Lighting



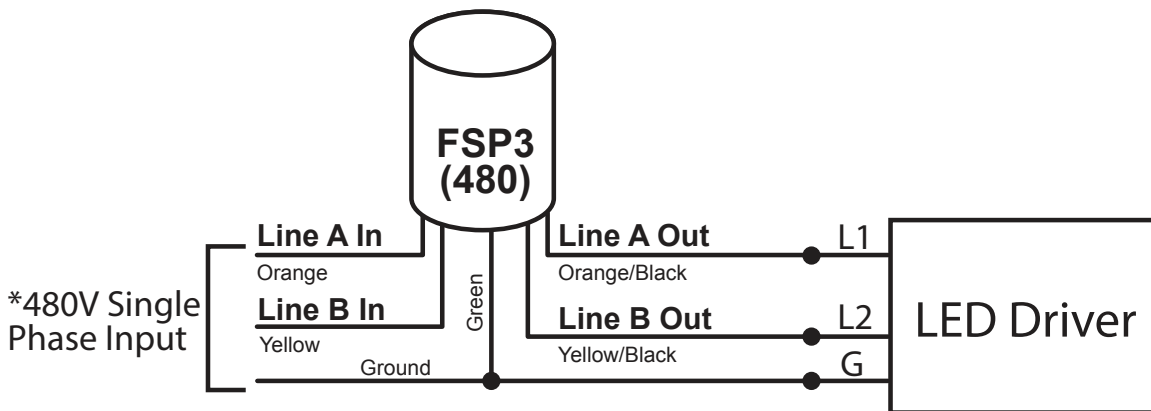
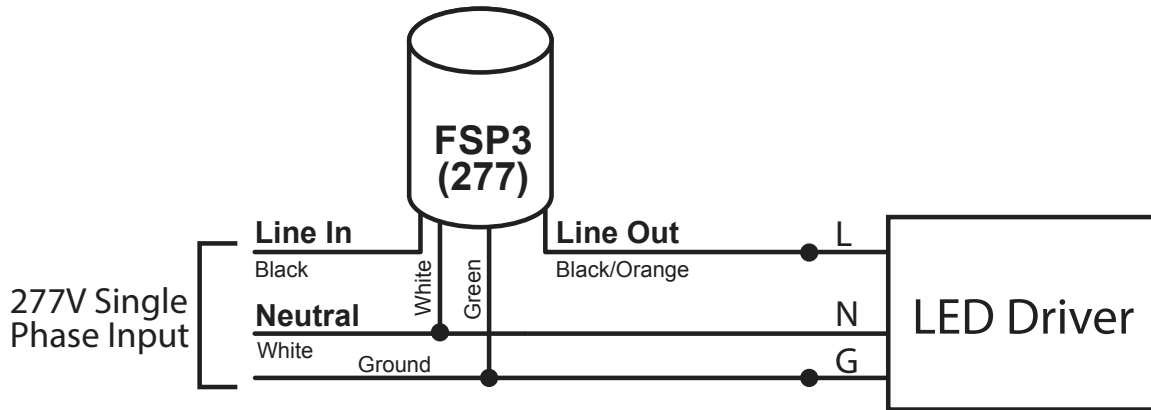
Model	AC Mains Voltage	Continuous Max Current Rating	Max Continuous Operating Voltage		Measured Limiting Voltage (MLV)	Nominal Current (In)	Max Clamping Voltage 8/20 µS @ 20kA	UL1449	LED Indicator
			AC	DC					
FSP3-277-20KA	277V	7.0A	320V	420V	L-N: 1470V L-G: 1340V N-G: 1340V	10kA	2100V	•	•
FSP3-277-20KA-NI	277V	7.0A	320V	420V	L-N: 1470V L-G: 1340V N-G: 1340V	10kA	2100V	•	
FSP3-480-20KA	480V	4.0A	550V	745V	L-L: 2140V L-G: 2140V L-G: 2140V	10kA	3800V	•	•
FSP3-480-20KA-NI	480V	4.0A	550V	745V	L-L: 2140V L-G: 2140V L-G: 2140V	10kA	3800V	•	

FSP3 Series

FSP3-277-20KA(NI) / FSP3-480-20KA(NI)

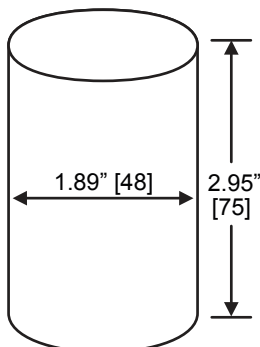
Patent-pending 3-Pole Fused In-Line Surge Protectors
For LED Drivers, with or without Operating Indicator LED

Wiring



*A single phase input from 3-phase system uses only 2-phase line connections (A-B, B-C or C-A)

Dimensions



Leads:
6", stripped 0.63"
Lead wire AWG #16
stranded

Weight:
0.5 lbs / 197g

Pulse rating (8 x 20 μSec)	
Strikes	Surge
1	20,000 A
2	15,000 A
15	10,000 A
120	3,000 A