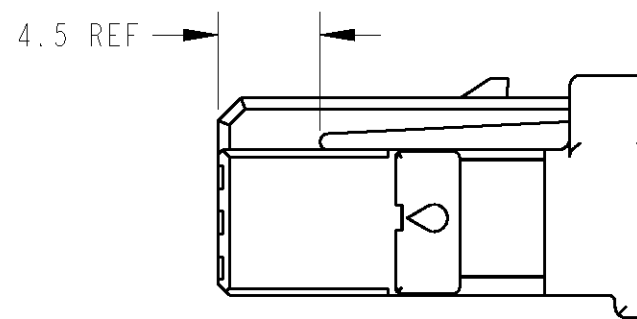
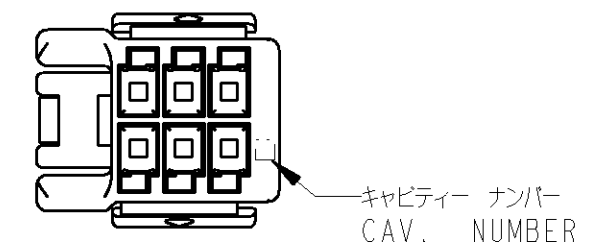
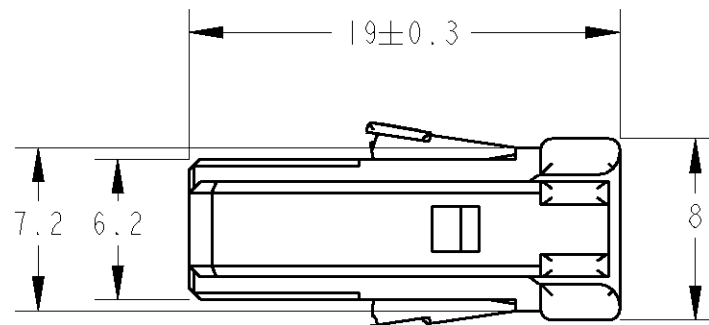
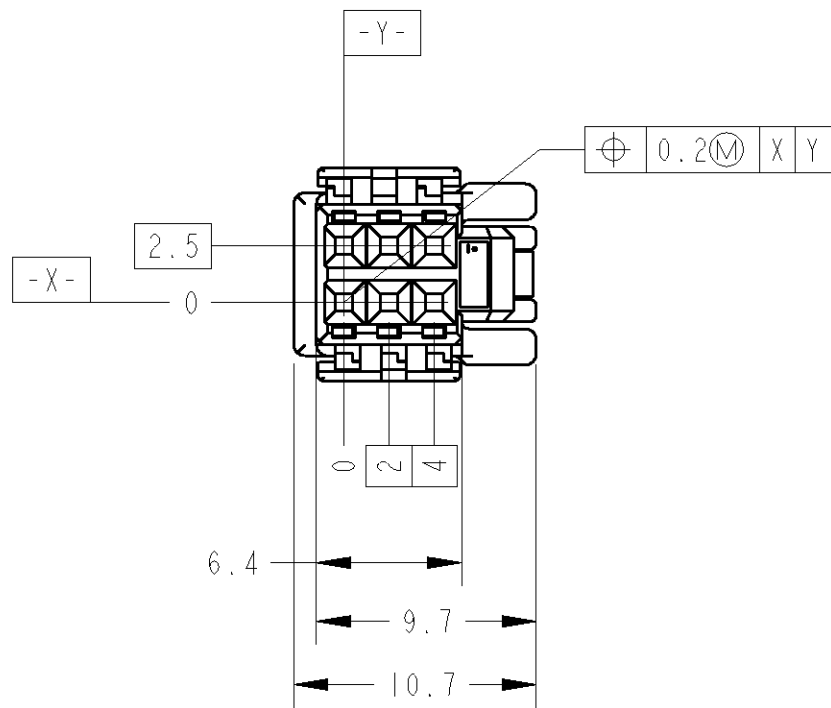


THIS DRAWING IS UNPUBLISHED. RELEASED FOR PUBLICATION
 © COPYRIGHT 19 BY TYCO ELECTRONICS CORPORATION. ALL RIGHTS RESERVED.

LOC	DIST	REVISIONS						
		P	LTR	DESCRIPTION	ECN	DATE	DWN	APVD
J	-		D	REVISED	ECR-06-024409	13NOV06	SK	SI



I. 取扱説明書; 411-5857

I. INSTRUCTION SHEET; 411-5857

BLACK	1318305-2
BLUE	1318305-1
COLOR	PART NUMBER

THIS DRAWING IS A CONTROLLED DOCUMENT FOR TYCO ELECTRONICS CORPORATION IT IS SUBJECT TO CHANGE AND THE CONTROLLING ENGINEERING ORGANIZATION SHOULD BE CONTACTED FOR THE LATEST REVISION.		DWN T. KOHNO 28OCT98 CHK N. SAI 28OCT98 APVD K. SHIMIZU 28OCT98		tyco Tyco Electronics AMP K.K. Electronics Kawasaki, Japan	
DIMENSIONS: 単位: 概 mm 		TOLERANCES UNLESS OTHERWISE SPECIFIED: 一般公差 = ± 0.15 0-PLC ± 1-PLC ±0.1 2-PLC ±0.01 3-PLC ±0.001 4-PLC ±0.000J ANGLES ±3		PRODUCT SPEC 108-5620 APPLICATION SPEC 114-5250 取付適用規格	
MATERIAL 材料 PBT FINISH 仕上 SEE TABLE		WEIGHT 0.7g CUSTOMER DRAWING		NAME 名称 .025 ライトセンサ 6極 プラグハウジング .025 LIGHT SENSOR 6POS. PLUG HOUSING SIZE A3 CAGE CODE 00779 DRAWING NO. 番号 1318305 RESTRICTED TO - SCALE 尺度 3:1 SHEET 1 OF 1 REV D	