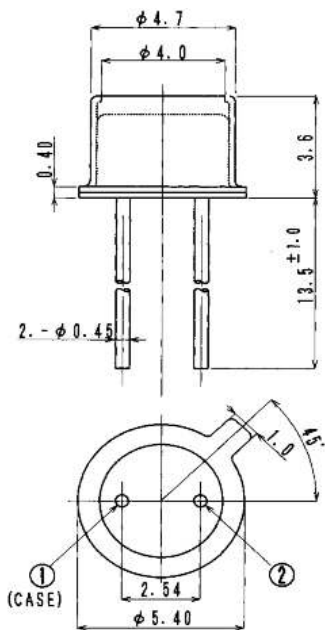


Peak Emission Wavelength: 1050nm



1- cathode, 2 -anode, all dimensions in mm,
tolerance: ± 0.2

Description

- TO-46 with flat glass lens cap
- Type: InGaAs/InP, MQW
- High power
- High speed
- Wide beam angle
- High reliability



Application

- Optical switches
- Optical communication
- Safety equipment
- Automation
- Applications requiring high output and precise optical / mechanical axis alignment.

Absolute Maximum Ratings (Ta=25°C)



| ITEMS | TEST CONDITIONS | SYMBOL | RATINGS | UNIT |
|------------------------------|---------------------------|--------|-------------|------|
| Forward DC Current | | If | 100 | mA |
| Peak Forward Current (pulse) | pulse width=10us, duty=1% | Ifp | 200 | mA |
| Reverse Voltage | Ir=100uA | Vr | 5 | V |
| Power Dissipation | | Pd | 150 | mW |
| Operating Temperature Range | | Top | -25 to +85 | °C |
| Storage Temperature Range | | Tst | -30 to +100 | °C |
| Lead Soldering Temperature | t<5sec, 3mm from case | Tslg | 260 | °C |
| Junction Temperature | | Tj | 100 | °C |

Electrical & Optical Characteristics (Ta = 25°C)

| ITEMS | SYMBOL | CONDITIONS | MIN | TYP | MAX | UNIT |
|---------------------------|-----------------------|------------|------|-------|------|-----------|
| Forward Voltage | Vf | If=20mA | -- | 1.15 | -- | V |
| Forward Voltage | Vf | If=50mA | -- | 1.2 | 1.4 | V |
| Forward Voltage | Vf | If=100mA | -- | 1.25 | -- | V |
| Reverse Current | Ir | Vr=5V | -- | 10 | -- | uA |
| Radiant Power | Φ_e | If=20mA | -- | 5 | -- | mW |
| Radiant Power | Φ_e | If=50mA | -- | 12 | -- | mW |
| Radiant Power | Φ_e | If=100mA | -- | 19 | -- | mW |
| Peak Wavelength | λ_p | If=50mA | 1000 | 1050 | 1100 | nm |
| Spectral Bandwidth at 50% | $\Delta\lambda_{0.5}$ | If=50mA | -- | 100 | -- | nm |
| Viewing Angle | φ | If=50mA | -- | +/-20 | -- | deg |
| Switching Time | tr, tf | If=50mA | -- | 10 | -- | ns |

Radiation Pattern

