

CombiCard 5000-7000



Detailed product information can be found on www.bopla.de



- 3 widths
- The depth can be varied by combining the components
- Easy mounting of the system components
- Hinge and access position freely selectable in the whole system
- Various fronts
- Optional rear element with separate terminal compartment (also on both sides)
- Definable access protection
- Installation of 19" components possible
- Comprehensive range of accessories

Colour:

Lateral trims, front and base elements light grey, similar to RAL 7035; front lid FD...G, crystal-clear, rear elements agate grey, similar to RAL 7038; special colours on request.

Protection class:

IP 66/DIN EN 60529; with air vents IP 30/DIN EN 60529

Enclosure material:

ABS; PC (only FD...G), seal made of CR; for details see Technical Information

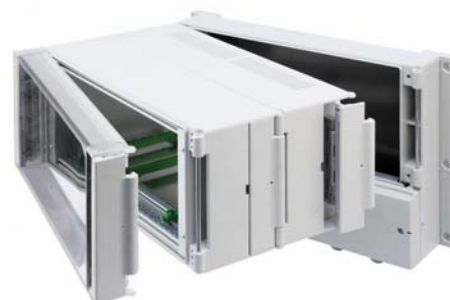
This modular enclosure system offers adaptability and protection class IP 66



All front, basic and rear elements can be combined in one basic size. The combination of "front with rear lid" can be created even without a basic element.



With a suitable enclosure size, the base elements with air vents can be positioned according to the convection requirements.



The integrated hinged quick-release catches allow left-hand or right-hand opening between each system component.



Fitting of the enclosure does not require tools. Dismantling is possible with a slotted-head screwdriver.



Each hinged catch can be protected against unauthorised access by lock bolts or a lead seal. The fronts can be closed by means of a cylinder catch.



Circuit boards are fixed either by screw bosses in the rear lid or in guide grooves in the basic element.



19" subracks according to DIN EN 60297-3-101 can be fitted in suitable enclosure configurations.



Wall mounting is easy with the use of optional wall brackets.



The handle – available as an accessory – can be used to tip up the enclosure.

CombiCard 5000-7000 | Fronts



Front lid for accommodating membrane keypads

Model	Order no.	A	B	C	a1	a2	U	HP
FD 5000	79002800	175,7	146,7	34	128,6	131,8	3	20
FD 6000	79002900	226,5	146,7	34	179,4	182,6	3	30
FD 7000	79003000	323	146,7	34	275,9	279,1	3	49

Scope of delivery: Front lid with seal, 2 mounted locks, 1 blind plug (to close the lock opening on the opening side), 1 catch (to close the lock opening and one-time definition of the hinge side on the front lid)

Note: IP protection class is only guaranteed when the front lid is closed.

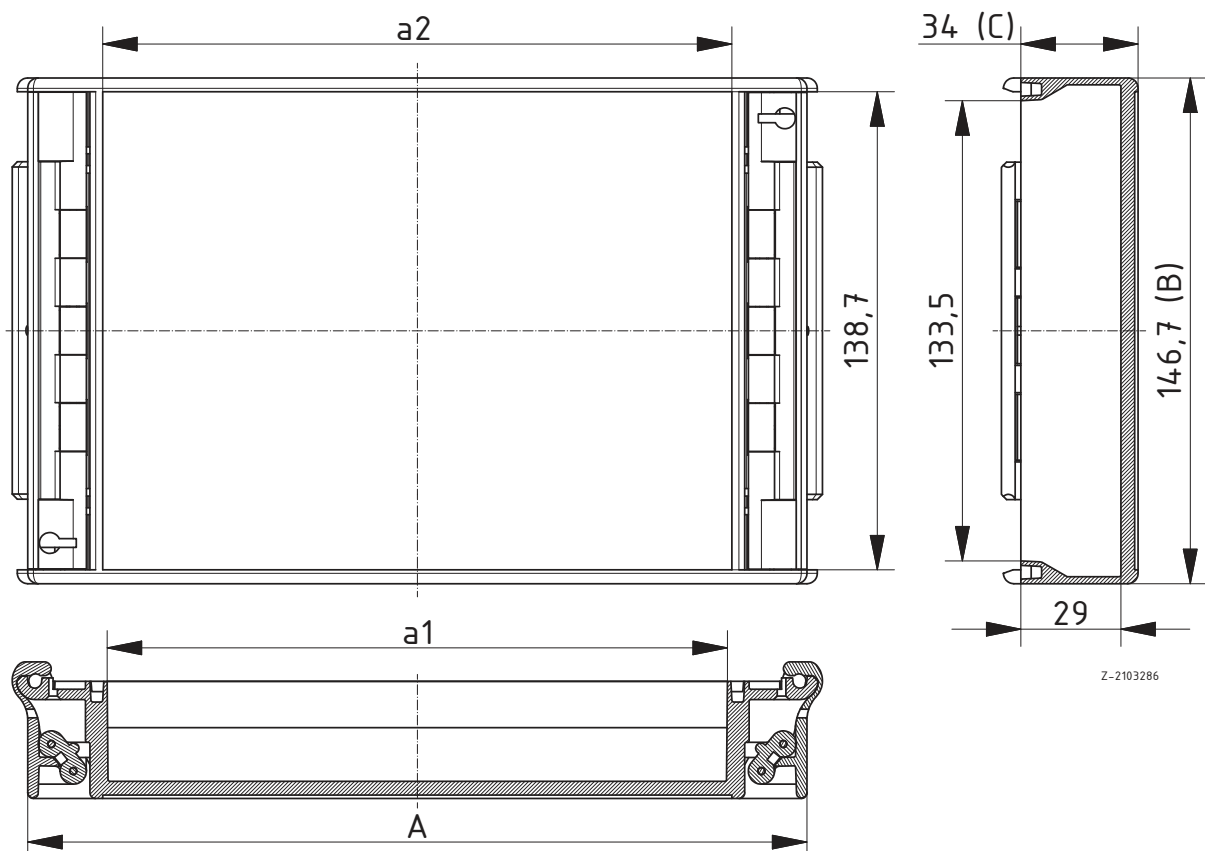


Front lid, crystal-clear

Model	Order no.	A	B	C	a1	a2	U	HP
FD 5000 G	79003100	175,7	146,7	34	128,6	131,8	3	20
FD 6000 G	79003200	226,5	146,7	34	179,4	182,6	3	30
FD 7000 G	79003300	323	146,7	34	275,9	279,1	3	49

Scope of delivery: Front lid with seal, 2 mounted locks, 1 blind plug (to close the lock opening on the opening side), 1 catch (to close the lock opening and one-time definition of the hinge side on the front lid)

Note: IP protection class is only guaranteed when the front lid is closed.



Z-2103286

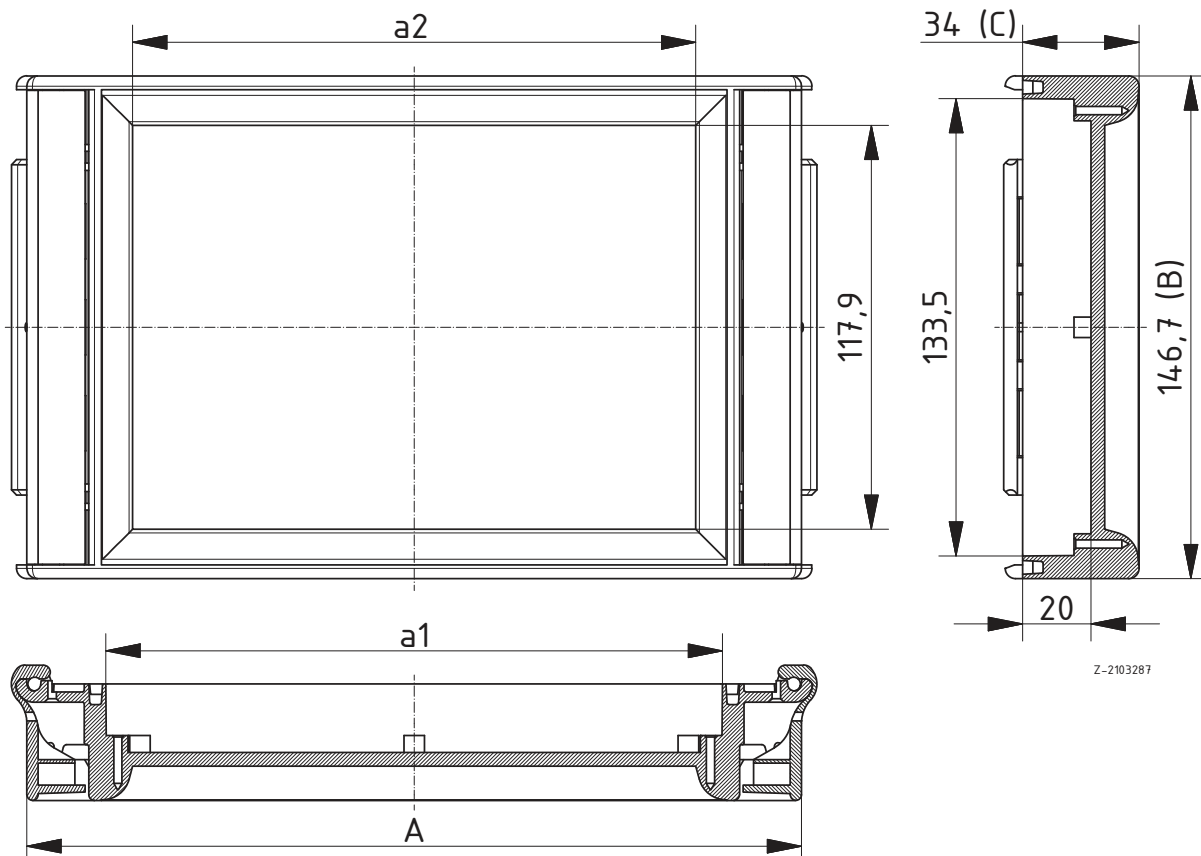
CombiCard 5000-7000 | Fronts

Closed front frame for accommodating membrane keypads, screw-on

Model	Order no.	A	B	C	a1	a2	U	HP
FR 5000	79003700	175,7	146,7	34	128,6	113,6	3	20
FR 6000	79003800	226,5	146,7	34	179,4	164,4	3	30
FR 7000	79003900	323	146,7	34	275,9	260,9	3	49

Scope of delivery: Front frame with seal, 2 snap-on covers, 4 fixing screws

Note: If required, retrofitting of a hinged quick-release fastener is possible using accessory SV 5670.



For accessories, please see the end of the chapter

CombiCard 5000-7000 | Fronts



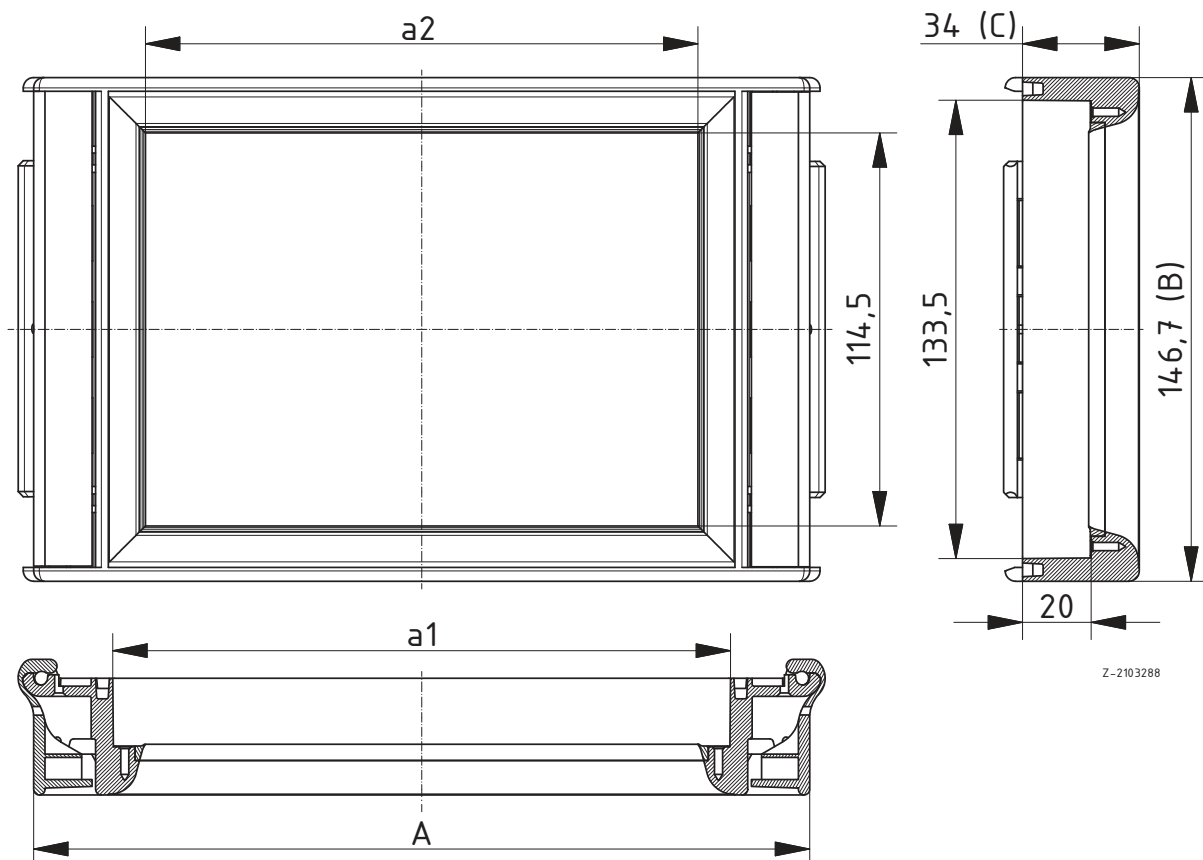
Open front frame with integrated seal, screw-on

Model	Order no.	A	B	C	a1	a2	U	HP
F0 5000	79003400	175,7	146,7	34	128,6	109,6	3	20
F0 6000	79003500	226,5	146,7	34	179,4	160,4	3	30
F0 7000	79003600	323	146,7	34	275,9	256,9	3	49

Scope of delivery: Front frame with seal, 2 snap-on covers, 4 fixing screws, 10 front panel fixing screws

Note: On request, retrofitting with a hinged quick-release fastener is possible with accessory SV 5670.

Front panels as accessories



Z-2103288

CombiCard 5000-7000 | Basic elements

Basic element 0.5 (51.51 mm deep)

Model	Order no.	A	B	C	a1	U	HP
BC 5000 -0,5	79001000	175,7	146,7	51,51	127,1	3	20
BC 6000 -0,5	79001100	226,5	146,7	51,51	177,9	3	30
BC 7000 -0,5	79001200	323	146,7	51,51	274,4	3	49

Scope of delivery: Base element with seal, 2 mounted locks



Basic element 1 (88.25 mm deep)

Model	Order no.	A	B	C	a1	U	HP
BC 5000 -1	79001600	175,7	146,7	88,25	127,1	3	20
BC 6000 -1	79001700	226,5	146,7	88,25	177,9	3	30
BC 7000 -1	79001800	323	146,7	88,25	274,4	3	49

Scope of delivery: Base element with seal, 2 mounted locks



Basic element 1.5 (139.76 mm deep)

Model	Order no.	A	B	C	a1	U	HP
BC 5000 -1,5	79002200	175,7	146,7	139,76	127,1	3	20
BC 6000 -1,5	79002300	226,5	146,7	139,76	177,9	3	30
BC 7000 -1,5	79002400	323	146,7	139,76	274,4	3	49

Scope of delivery: Base element with seal, 2 mounted locks



Basic element 0.5 (51.51 mm deep) with air vents

Model	Order no.	A	B	C	a1	U	HP
BC 5000 L-0,5	79001300*	175,7	146,7	51,51	127,1	3	20
BC 6000 L-0,5	79001400*	226,5	146,7	51,51	177,9	3	30
BC 7000 L-0,5	79001500*	323	146,7	51,51	274,4	3	49

Scope of delivery: Base element with air vents without seal, 2 mounted locks



Basic element 1 (88.25 mm deep) with air vents

Model	Order no.	A	B	C	a1	U	HP
BC 5000 L-1	79001900	175,7	146,7	88,25	127,1	3	20
BC 6000 L-1	79002000	226,5	146,7	88,25	177,9	3	30
BC 7000 L-1	79002100	323	146,7	88,25	274,4	3	49

Scope of delivery: Base element with air vents without seal, 2 mounted locks

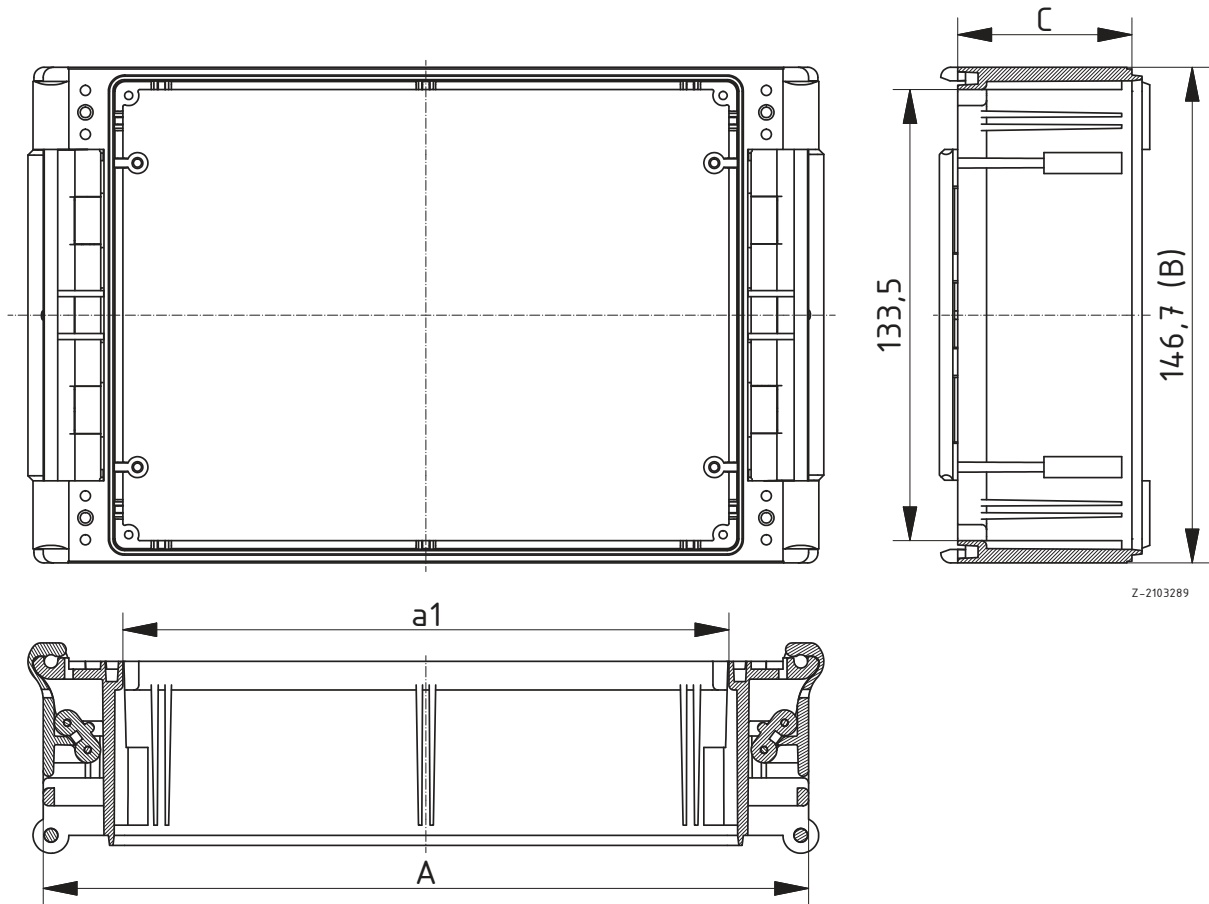


Basic element 1.5 (139.76 mm deep) with air vents

Model	Order no.	A	B	C	a1	U	HP
BC 5000 L-1,5	79002500	175,7	146,7	139,76	127,1	3	20
BC 6000 L-1,5	79002600	226,5	146,7	139,76	177,9	3	30
BC 7000 L-1,5	79002700	323	146,7	139,76	274,4	3	49

Scope of delivery: Base element with air vents without seal, 2 mounted locks





CombiCard 5000-7000 | Basic elements

Basic element for control panel mounting

Model	Order no.	A	B	C	a1	U	HP
BC 5000 NG	79001610	203,7	169,7	68,01	133,3	3	20
BC 6000 NG	79001710	254,5	169,7	68,01	184,1	3	30
BC 7000 NG	79001810	351	169,7	68,01	280,6	3	49

Scope of delivery: Base element with mounted assembly kit for control panel mounting

Note: When these base elements are used, front lids must be used on both sides to close the enclosure. Tightening torque for the fixing elements = 80 Ncm

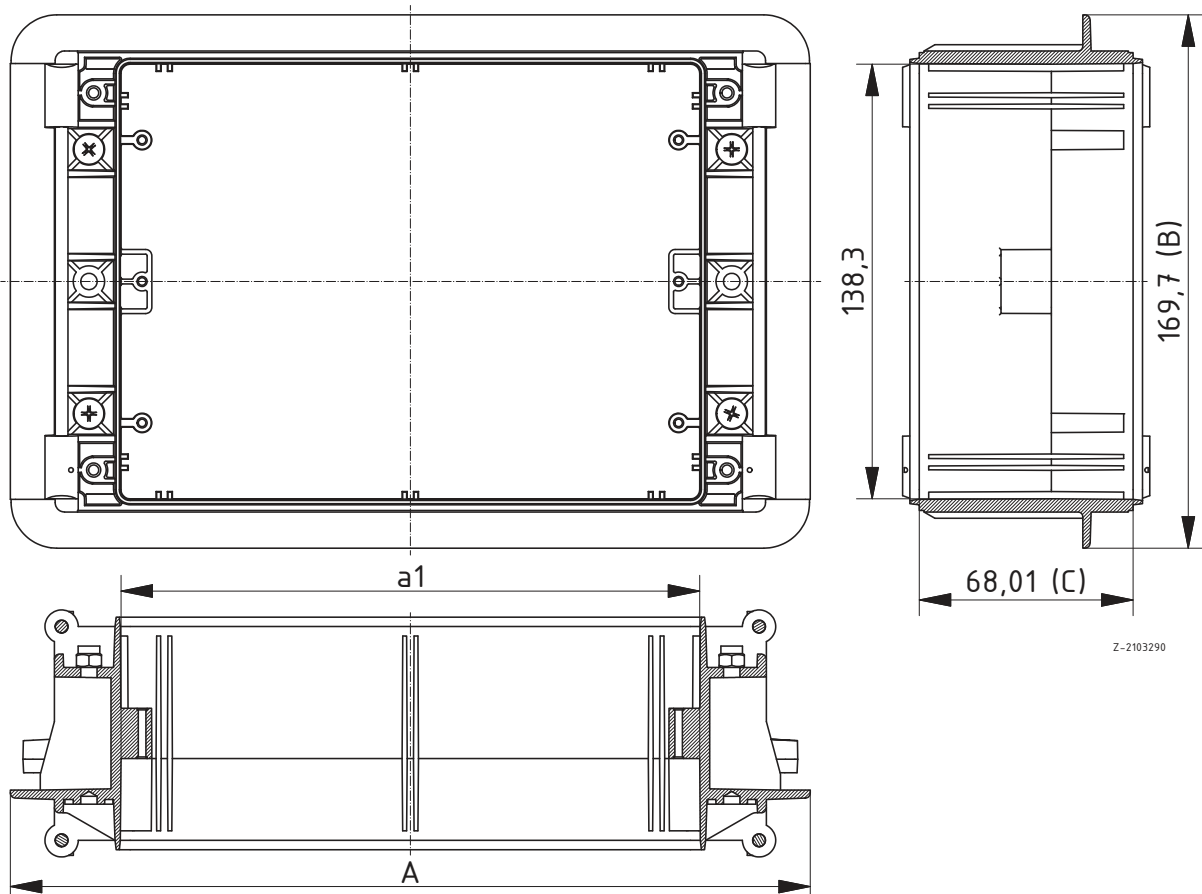


Basic element for control panel mounting, with air vents

Model	Order no.	A	B	C	a1	U	HP
BC 5000 NG-L	79001910*	203,7	169,7	68,01	133,3	3	20
BC 6000 NG-L	79002010*	254,5	169,7	68,01	184,1	3	30
BC 7000 NG-L	79002110*	351	169,7	68,01	280,6	3	49

Scope of delivery: Base element with mounted assembly kit for control panel mounting

Note: When these base elements are used, front lids must be used on both sides to close the enclosure. Tightening torque for the fixing elements = 80 Ncm



For accessories, please see the end of the chapter

CombiCard 5000-7000 | Rear lids

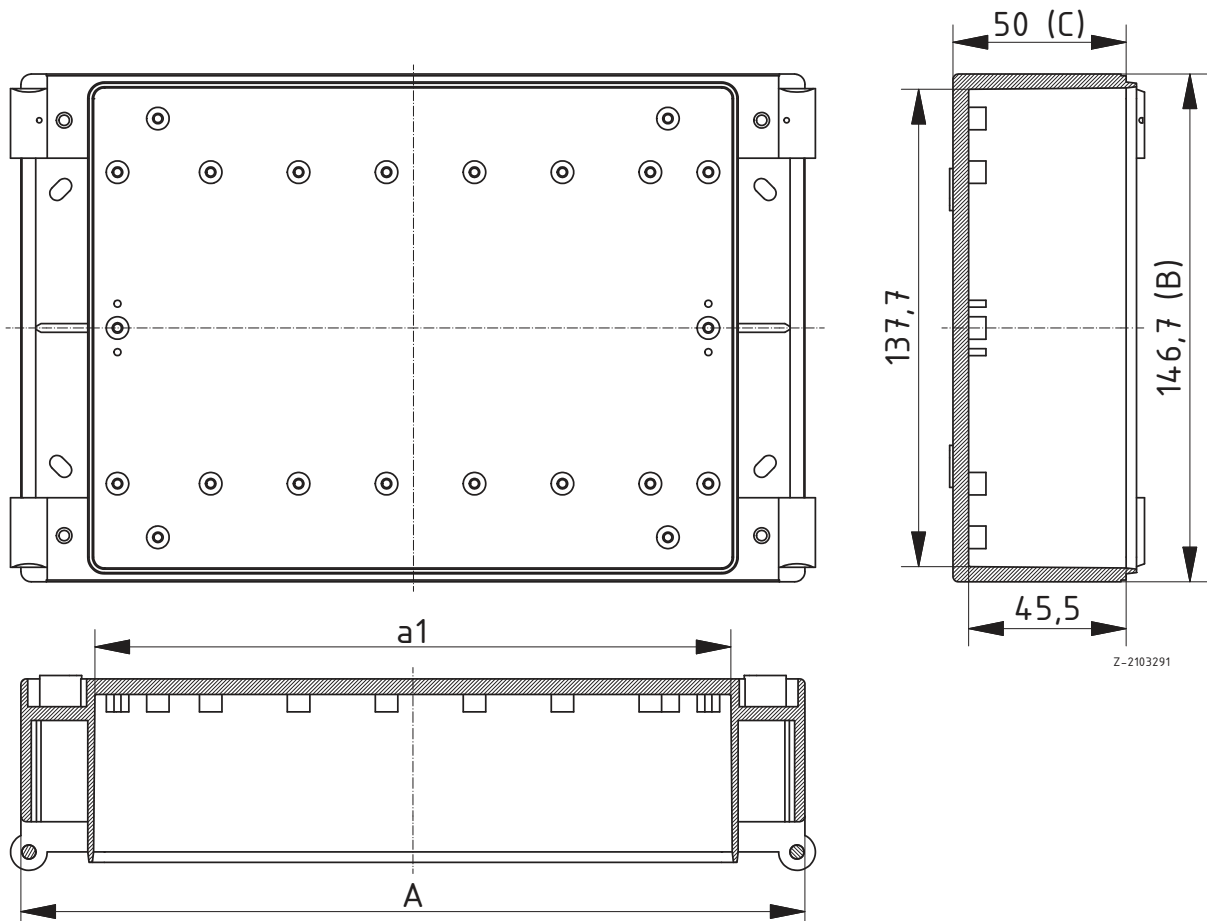


Rear lid

Model	Order no.	A	B	C	a1	U	HP
RD 5000	79000100	175,7	146,7	50	132,7	3	20
RD 6000	79000200	226,5	146,7	50	183,5	3	30
RD 7000	79000300	323	146,7	50	280	3	49

Scope of delivery: Rear lid

Note: A fixing kit BS 5670 is also required for fitting front panels FP..000 I in the rear lid. This elevates the front panel in the rear lid.



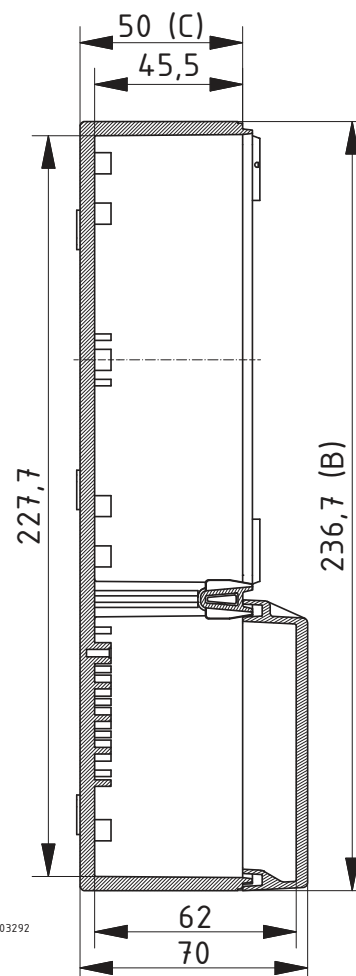
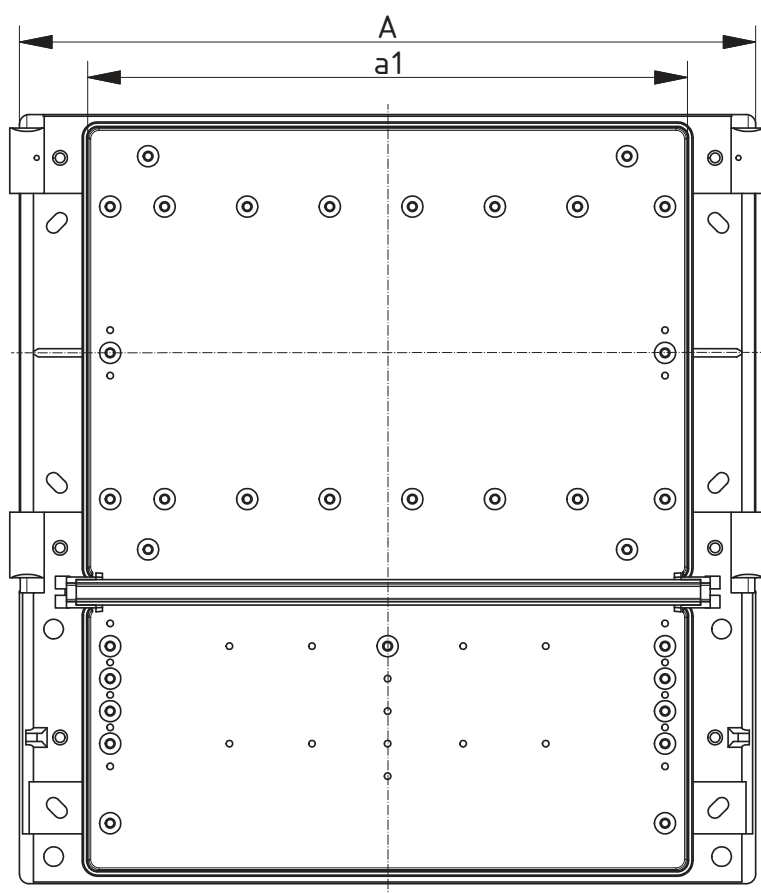
CombiCard 5000-7000 | Rear lids

Rear lid with terminal compartment

Model	Order no.	A	B	C	a1	U	HP
RD 5000 K	79000400	175,7	236,7	50	132,7	3	20
RD 6000 K	79000500	226,5	236,7	50	183,5	3	30
RD 7000 K	79000600	323	236,7	50	280	3	49

Scope of delivery: Rear lid, terminal compartment bar, terminal compartment lid including seal and fixing screws

Note: A fixing kit BS 5670 is also required for fitting front panels FP..000 I in the rear lid. This elevates the front panel in the rear lid.



Z-2103292

CombiCard 5000-7000 | Rear lids

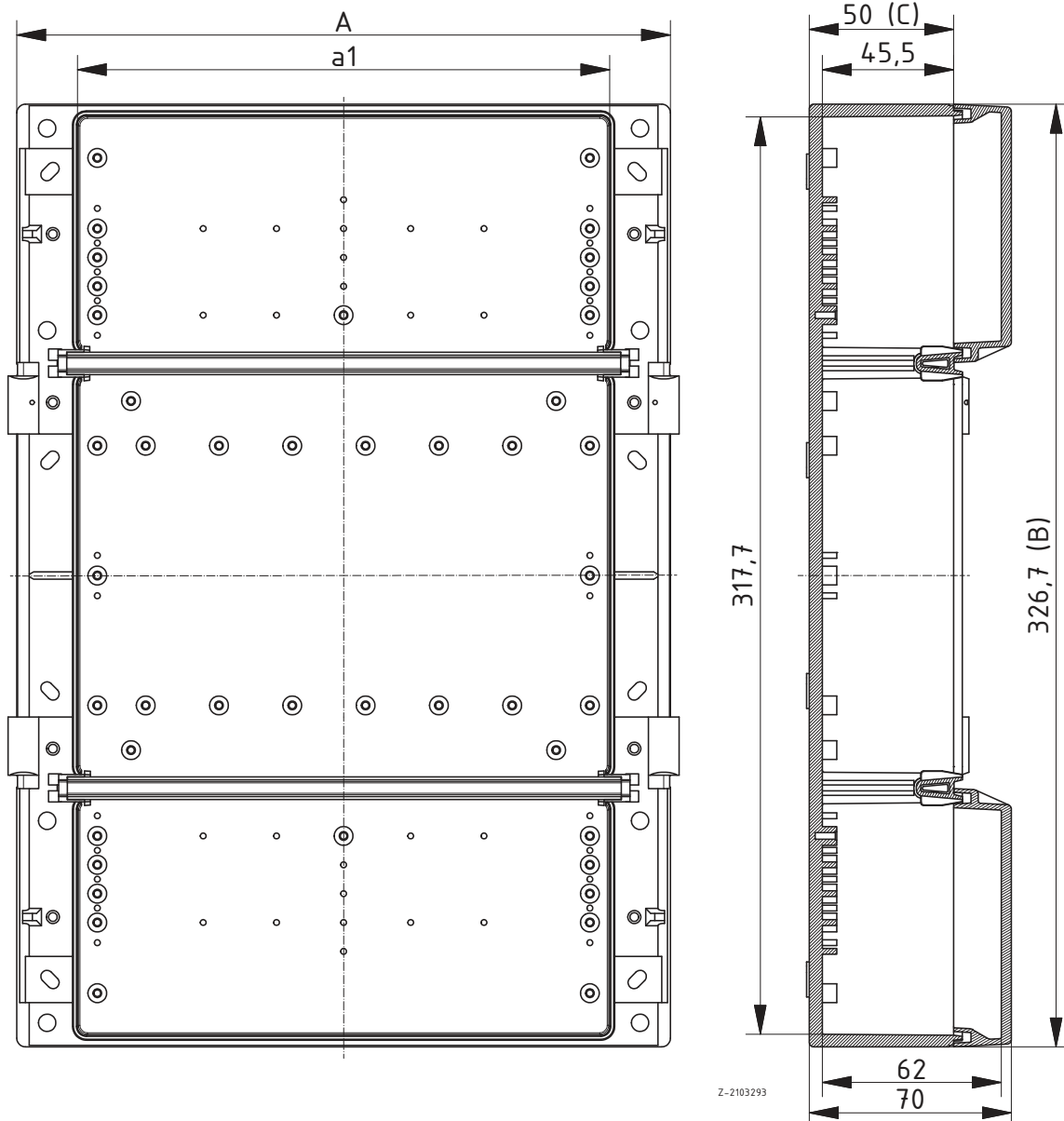


Rear lid with terminal compartment on both sides

Model	Order no.	A	B	C	a1	U	HP
RD 5000 BK	79000700	175,7	326,7	50	132,7	3	20
RD 6000 BK	79000800	226,5	326,7	50	183,5	3	30
RD 7000 BK	79000900	323	326,7	50	280	3	49

Scope of delivery: Rear lid, 2 terminal compartment bars, 2 terminal compartment lids including seal and fixing screws

Note: A fixing kit BS 5670 is also required for fitting front panels FP..000 I in the rear lid. This elevates the front panel in the rear lid.



Z-2103293

CombiCard 5000-7000 | Accessories

Wall brackets for rear lid, ABS

Model	Order no.	Note
WL 5670	79004600	For RD...
WL 5670 K	79004700	For RD... K
WL 5670 BK	79004800	For RD... BK

Scope of delivery: 2 wall brackets including fixing material for screwing the brackets to the rear lid



Internal front panels for basic elements and rear lid, 2 mm, natural-coloured anodised aluminium

Model	Order no.	Note
FP 5000 I	79004000	
FP 6000 I	79004100	
FP 7000 I	79004200	
BS 5670	79005500	Assembly kit for FP ... I in RD

Scope of delivery: 1 front panel

Note: For fixing screws for mounting on BC... , see General Accessories, order no. 59006217.



Front panels for FO front, 2 mm, natural-coloured anodised aluminium

Model	Order no.	Note
FP 5000 AI	79004300	
FP 6000 AI	79004400	
FP 7000 AI	79004500	

Scope of delivery: 1 front panel

Note: Fixing screws included in scope of delivery for the fronts.



Handle

Model	Order no.	Note
HS 5000	79605020	
HS 6000	79606020	
HS 7000	79607020	

Scope of delivery: Handle side parts (PA6), profile (aluminium), seals, screws

Note: Processing of the enclosure on request. The maximum load is 300 N.



Lock bolt for basic elements for blocking locking function, polyamide

Model	Order no.	Note
SR 5670 -0,5	79004900	For BC...(L)-0,5
SR 5670-1	79005010	For BC...(L)-1
SR 5670 -1,5	79005100	For BC...(L)-1,5

Scope of delivery: 2 pieces

Note: The lock bolts can be used to ensure that the hinged quick-release fasteners cannot be opened when the enclosure is closed. The lock bolt can only be moved and the fastener opened after the front-fitted enclosure system part has been opened. This protects a unit against unauthorized access, or restricts the hinged quick-release fastener to the hinge function.



CombiCard 5000-7000 | Accessories



Cover for hinged quick-release fastener, ABS

Model	Order no.	Note
VA 5670	79005300	For FD...(G)

Scope of delivery: 2 pieces

Note: For snapping onto the hinge side of the front lid FD... (G).



Hinged quick-release fastener for retrofitting of FO and FR fronts, ABS

Model	Order no.	Note
SV 5670	79005400	For FO/FR

Scope of delivery: 2 hinge parts, 1 catch, 1 blind plug



Cylinder lock for FD fronts

Model	Order no.	Note
SHLO-302	21008310	Cylinder lock

Scope of delivery: 1 lock, 2 keys



Mounting panel for rear lid RD.. (K,BK) and basic elements, laminated paper

Model	Order no.	
M 5000	80050000	
M 6000	80060000	
M 7000	80070000	

Scope of delivery: 1 mounting panel

Note: For fixing screws (order no. 59006217), see General Accessories.



Mounting panel for rear lid with terminal compartment RD..K (BK), laminated paper

Model	Order no.	
M 5000 K	80050100	
M 6000 K	80060100	
M 7000 K	80070100	

Scope of delivery: 1 mounting panel

Note: For fixing screws (order no. 59006217), see General Accessories.

CombiCard 5000-7000 | Accessories

Mounting panel for rear lid with terminal compartment on both sides RD..BK, laminated paper

Model	Order no.
M 5000 BK	80050200
M 6000 BK	80060200
M 7000 BK	80070200

Scope of delivery: 1 mounting panel

Note: For fixing screws (order no. 59006217), see General Accessories.



DIN rails

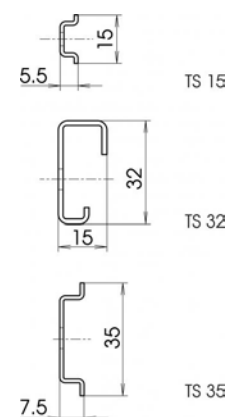
Model	Order no.	C	Note
TS 155000.1	22151301*	130	Top hat rail DIN EN 60715 TH 15 for CC 5000
TS 156000.1	22151801*	180	Top hat rail DIN EN 60715 TH 15 for CC 6000
TS 157000.1	22152801*	280	Top hat rail DIN EN 60715 TH 15 for CC 7000
TS 325000.1	22321301*	130	Top hat rail DIN EN 60715 G 32 for CC 5000
TS 326000.1	22321801*	180	Top hat rail DIN EN 60715 G 32 for CC 6000
TS 327000.1	22322801*	280	Top hat rail DIN EN 60715 G 32 for CC 7000
TS 355000.1	22351301*	130	Top hat rail DIN EN 60715 TH 35 for CC 5000
TS 356000.1	22351801*	180	Top hat rail DIN EN 60715 TH 35 for CC 6000
TS 357000.1	22352801*	280	Top hat rail DIN EN 60715 TH 35 for CC 7000

Scope of delivery: 1 DIN rail

Note: For fixing screws see General Accessories.

C = DIN rail length in mm.

Matching terminals and terminal mounting on request.



19" subrack acc. to DIN EN 60297-3-101, aluminium

Model	Order no.	U	HP
BGT 5000.PI	53215000	3	20
BGT 6000.PI	53216000	3	30
BGT 7000.PI	53217000	3	49

Scope of delivery: 1 subrack, mounting material

Note: For accessories, see Interzoll accessories chapter.



Closed 19" subrack acc. to DIN EN 60297-3-101 (aluminium) with cover plates

Model	Order no.	U	HP
BGT 5000.PI-AD	53215100	3	20
BGT 6000.PI-AD	53216100	3	30
BGT 7000.PI-AD	53217100	3	49

Scope of delivery: 1 subrack, mounting material

Note: For accessories, see Interzoll accessories chapter.

