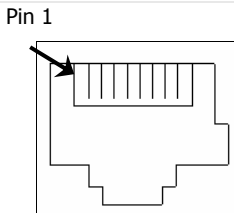


Digi TS, RJ-45 to DB-9 Console Adapter

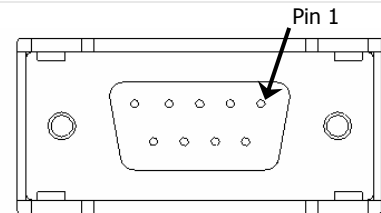
For use with Digi One TS, Portserver TS 2/4/8/16, and Multi-Port Serial Cards with RJ45 connectors

Digi Cable Adapters allow you to connect your serial devices using commercially available CAT 5 cable of any length. Simply plug standard CAT 5 cable into your Digi Product, connect a Cable Adapter to the other end and plug the adapter into your device.

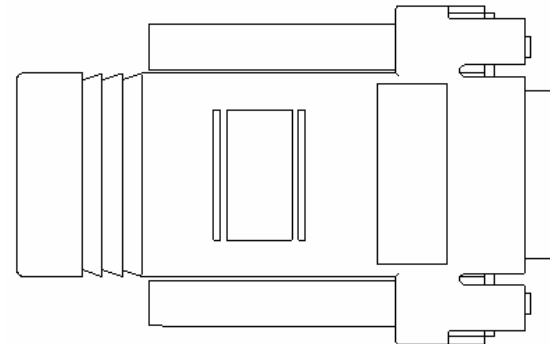
From RJ-45	Signal	Direction	Signal	To DB-9
1	DCD	←	DTR	4
2	RTS	→	CTS	8
3	Ground	↔	Ground	Shell
4	TxD	→	RxD	2
5	RxD	←	TxD	3
6	SG	↔	SG	5
7	CTS	←	RTS	7
8	DTR	↔	DCD	1
			DSR	6



Female RJ-45
8-pin



Female DB-9



Cable Adapter not to scale

* Arrows indicate which direction the signal is flowing

Notes:

- All RJ45 cable adapters are 8-pin.
- Altpin should be turned on when using this cable adapter so that DTR will drive DCD (standard usage).
- If altpin is turned off, the hardware signal on RJ45 pin 1 becomes DSR instead of DCD. This alternative can be used if DCD is not required, and DSR is needed instead.
- This cable adapter utilizes the RTS signal of the serial device for hardware flow control (RTS/CTS).

Digi Part Number 76000697 Digi TS DB9F Console Adapter (4-pack)