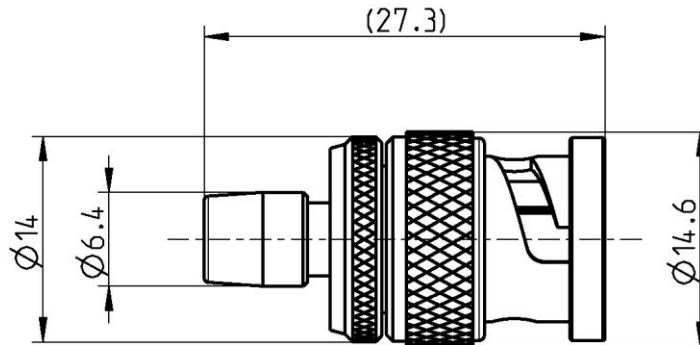


SMB
BNC

Adaptor
SMB Jack – BNC Plug

59K151-S00L5



All dimensions are in mm; tolerances according to ISO 2768 m-H

Interface

According to SMB side: IEC 60169-10, CECC 22130, MIL-PRF-39012
BNC side: DIN EN 61169-8

Documents

N/A

Material and plating

Connector parts

Center contact
Outer contact SMB side
Outer contact BNC side
Dielectric
Gasket

Material

CuBe
CuBe
Brass
PTFE
NeopreneCR 50C6

Plating

AuroDur®, gold plated
AuroDur®, gold plated
Nickel, 2.5-5 µm

Technical Data Sheet

Rosenberger

SMB
BNC

Adaptor
SMB Jack – BNC Plug

59K151-S00L5

Electrical data

Impedance	50 Ω
Frequency	DC to 4 GHz
Return loss	≥ 33 dB, DC to 1 GHz ≥ 29 dB, 1 to 4 GHz
Insertion loss	≤ 0.05 x $\sqrt{f(\text{GHz})}$ dB
Insulation resistance	≥ 1x10 ³ MΩ
Center contact resistance	≤ 5 mΩ, SMB side ≤ 1.5 mΩ, BNC side
Outer contact resistance	≤ 2.5 mΩ, SMB side ≤ 1 mΩ, BNC side
Test voltage	750 V rms, 50 Hz, at sea level
Working voltage	≤ 250 V rms, 50 Hz, at sea level
Contact current	1.5 A DC typ.
RF-leakage	≥ 55 dB up to 1 GHz

Mechanical data

	SMB side	BNC side
Mating cycles	min. 500	min. 500
Center contact captivation: axial	≥ 10 N	≥ 10 N
Engagement force	≤ 63 N	N/A
Disengagement force	8 N min. to 63 N max.	N/A

Environmental data

Temperature range	-55°C to +155°C
Thermal shock	MIL-STD-202, Meth. 107, Cond. B
Vibration	MIL-STD-202, Meth. 204, Cond. B
Corrosion	MIL-STD-202, Meth. 101, Cond. B
Moisture resistance	MIL-STD-202, Meth. 106
RoHS	compliant

Tooling

N/A

Suitable cables

N/A

Weight

Weight 8.6 g/pce

While the information has been carefully compiled to the best of our knowledge, nothing is intended as representation or warranty on our part and no statement herein shall be construed as recommendation to infringe existing patents. In the effort to improve our products, we reserve the right to make changes judged to be necessary.

For the installation of the electrotechnical equipment, particular electrotechnical expertise is required.



Draft	Date	Approved	Date	Rev.	Engineering change number	Name	Date
Inge Mühlauer	14.12.04	Chr. Janßen	04.02.21	g00	20-1927	S. Huber-Siegl	04.02.21
Rosenberger Hochfrequenztechnik GmbH & Co. KG P.O.Box 1260 D-84526 Tittmoning Germany www.rosenberger.com				Tel. : +49 8684 18-0 Email : info@rosenberger.com			Page 2 / 2