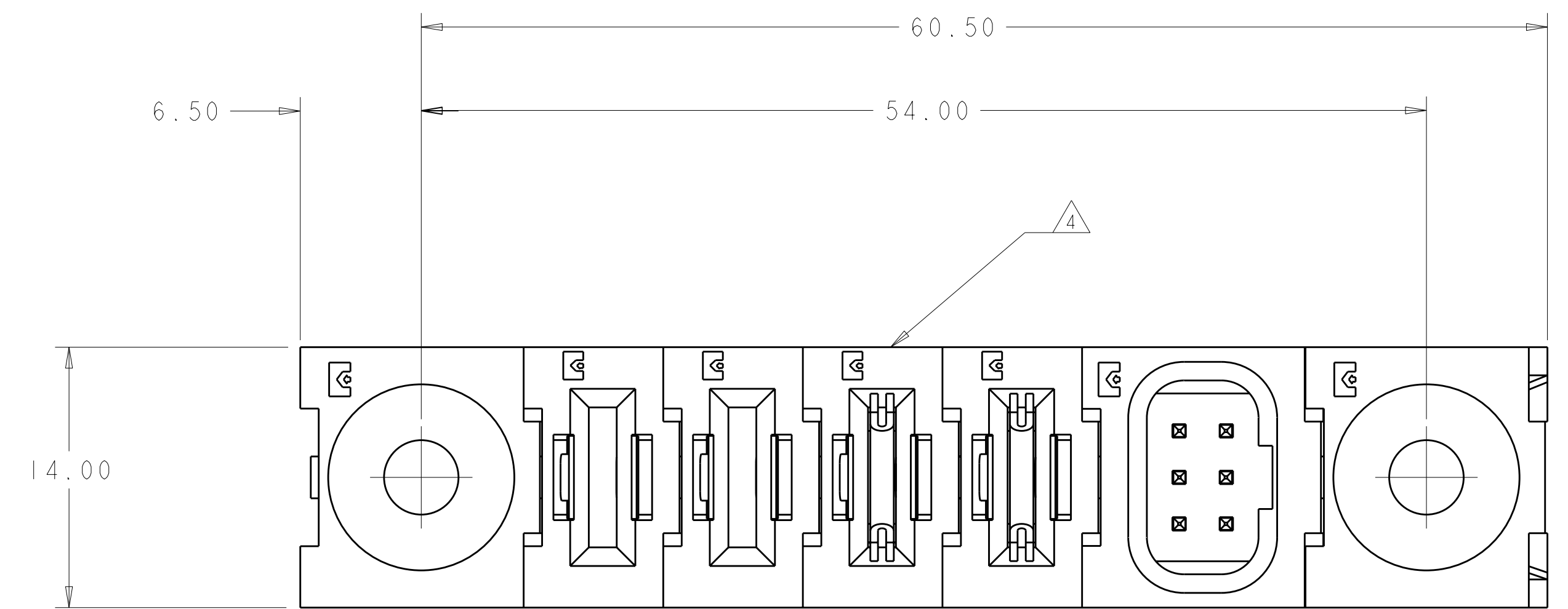


LOC	DIST	REV	DATE	BY	CHK	APPV
-	-	A	14OCT2008	C. ROHLER	P. DAMATO	M. PERCHERKE
-	-	A1	22JAN2010	-	-	-
-	-	B	12SEP2011	-	-	-



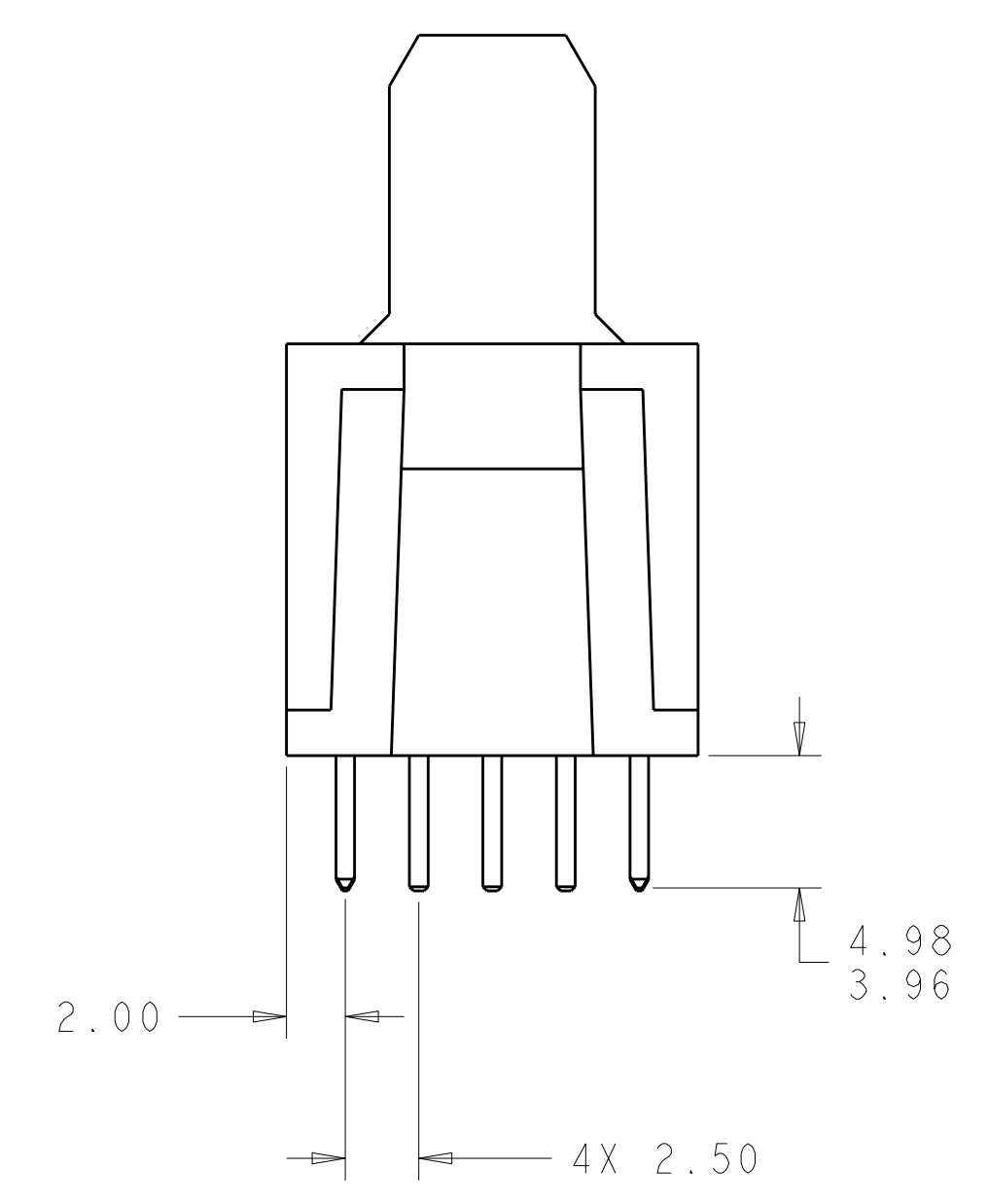
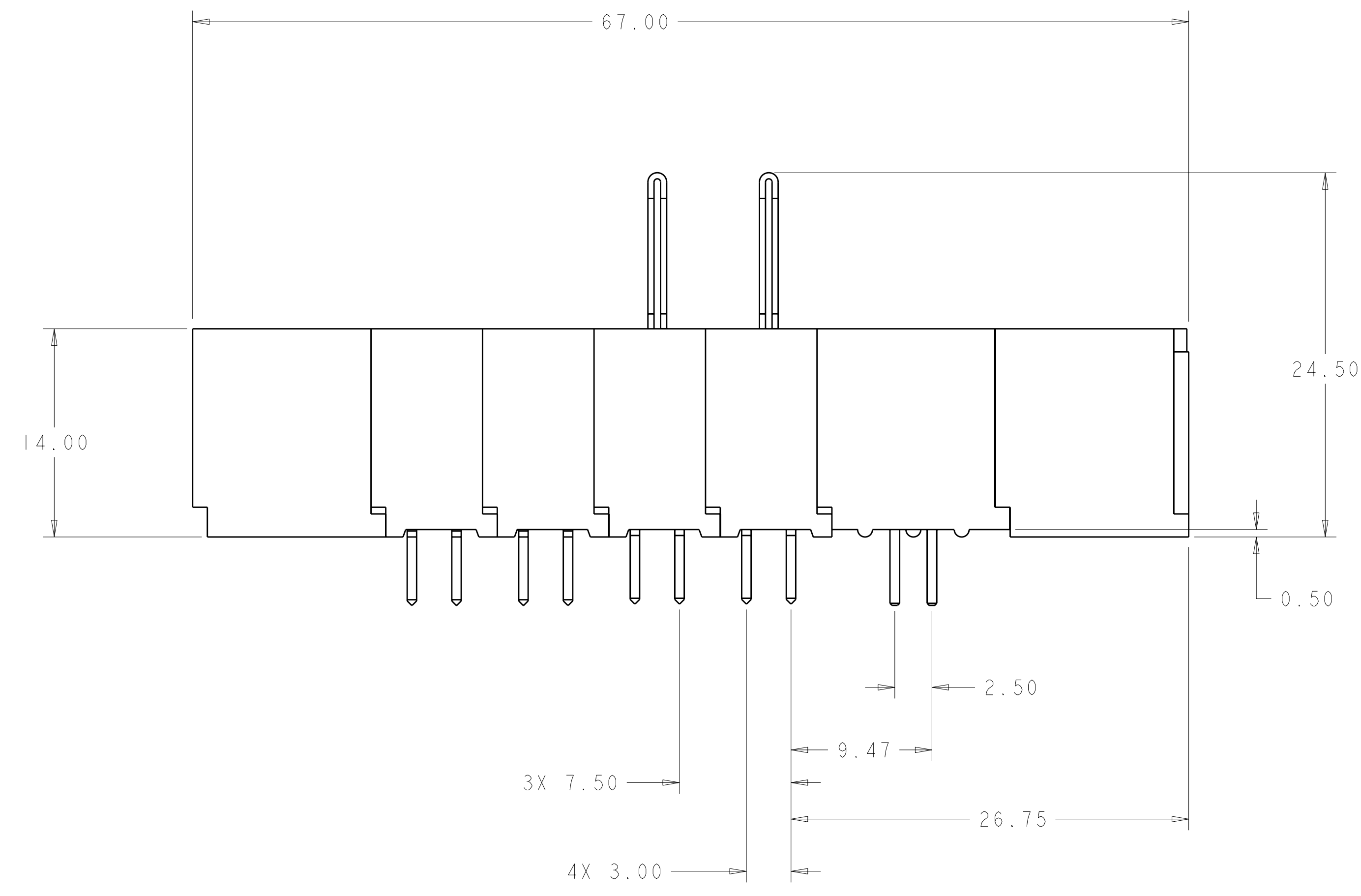
- PART NUMBER CHANGES AND OR DESIGN CHANGES AFFECTING ITEM INTERCHANGEABILITY REQUIRE PRIOR TYCO ELECTRONICS APPROVAL AND AUTHORIZATION BY REVISION TO THIS DRAWING.
- MATERIAL:
  - INSULATORS: THERMOPLASTIC, GLASS REINFORCED, COLOR: BLACK, UL94V-0 FLAMMABILITY RATED.
  - POWER CONTACTS: PHOSPHOR BRONZE ALLOY, COPPER ALLOY
  - CROWN BAND: BERYLLIUM COPPER ALLOY
- FINISH:
  - CONTACTS: GOLD PLATE 0.76µm MIN. THK., OVER NICKEL 1.27µm MIN. THK
  - SOLDER TAILS: TIN 3.05µm MIN. THK. OVER NICKEL 1.27µm MIN THK.

△ ITEMS PROVIDED TO THIS SPECIFICATION TO BE PERMANENTLY IDENTIFIED PER THE FOLLOWING IDENTIFIER LABEL

YEAR 1 WEEK 1

TYCO ELECTRONICS P/N      DATE CODE (e.g. 0106)

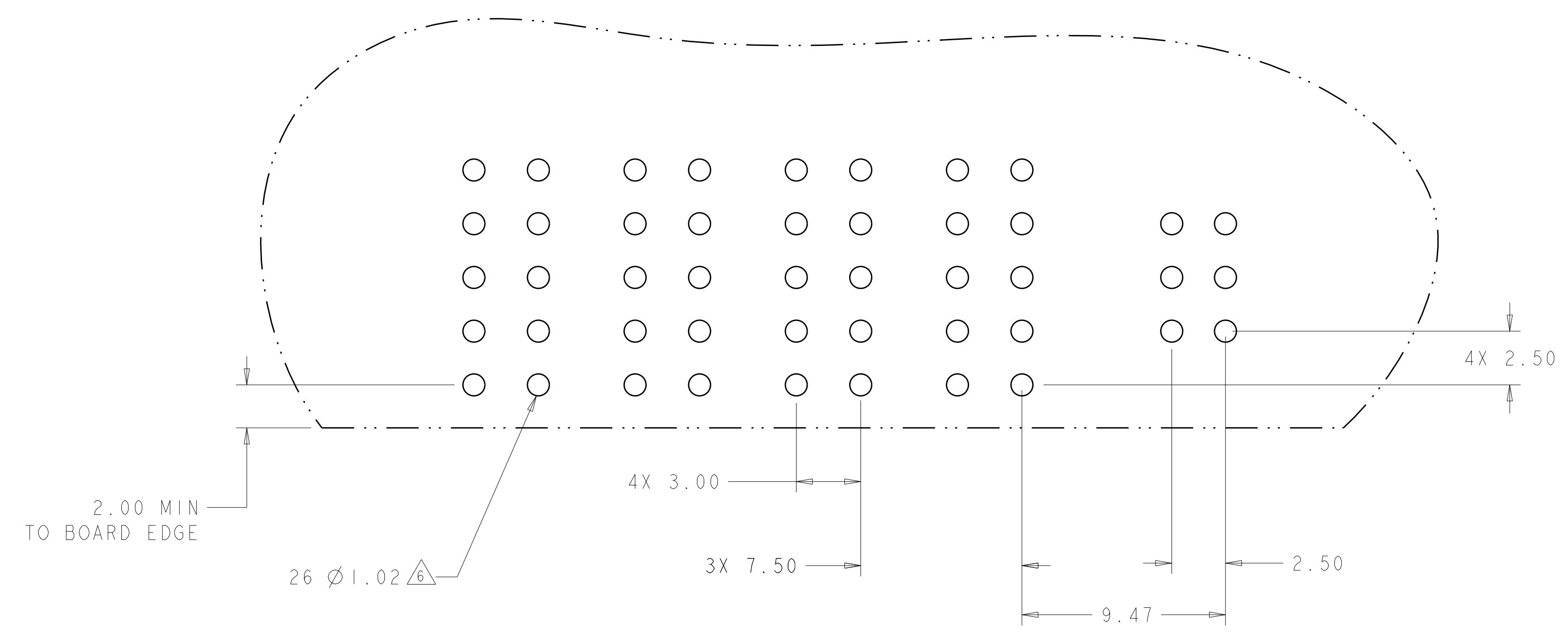
XXXXXXXX-X                  XXXX



**ELCON** **FLATPAQ**

AS SHOWN		2085011-1	
DESCRIPTION		PART NO.	
DIMENSIONS: mm TOLERANCES UNLESS OTHERWISE SPECIFIED: 9 PLC ±.50 1 PLC ±.50 2 PLC ±.25 3 PLC ±.25 4 PLC ±.25 ANGLES ±.5 FINISH		DWN: C. ROHLER 14OCT2008 CHK: P. DAMATO 14OCT2008 APPV: M. PERCHERKE 14OCT2008 PRODUCT SPEC APPLICATION SPEC WEIGHT CUSTOMER DRAWING	
Tyco Electronics Harrisburg, PA 17105-3608		NAME: SOCKET CONNECTOR ASSEMBLY FLATPAQ SIZE: A   00779   C=2085011 SCALE: 1:1 SHEET 1 OF 3 REV B	

LOC	DIST	REV	DATE	BY	APPD
-	-	1	-	-	-
DESCRIPTION			DATE	DWN	APPD
SEE SHEET 1			-	-	-

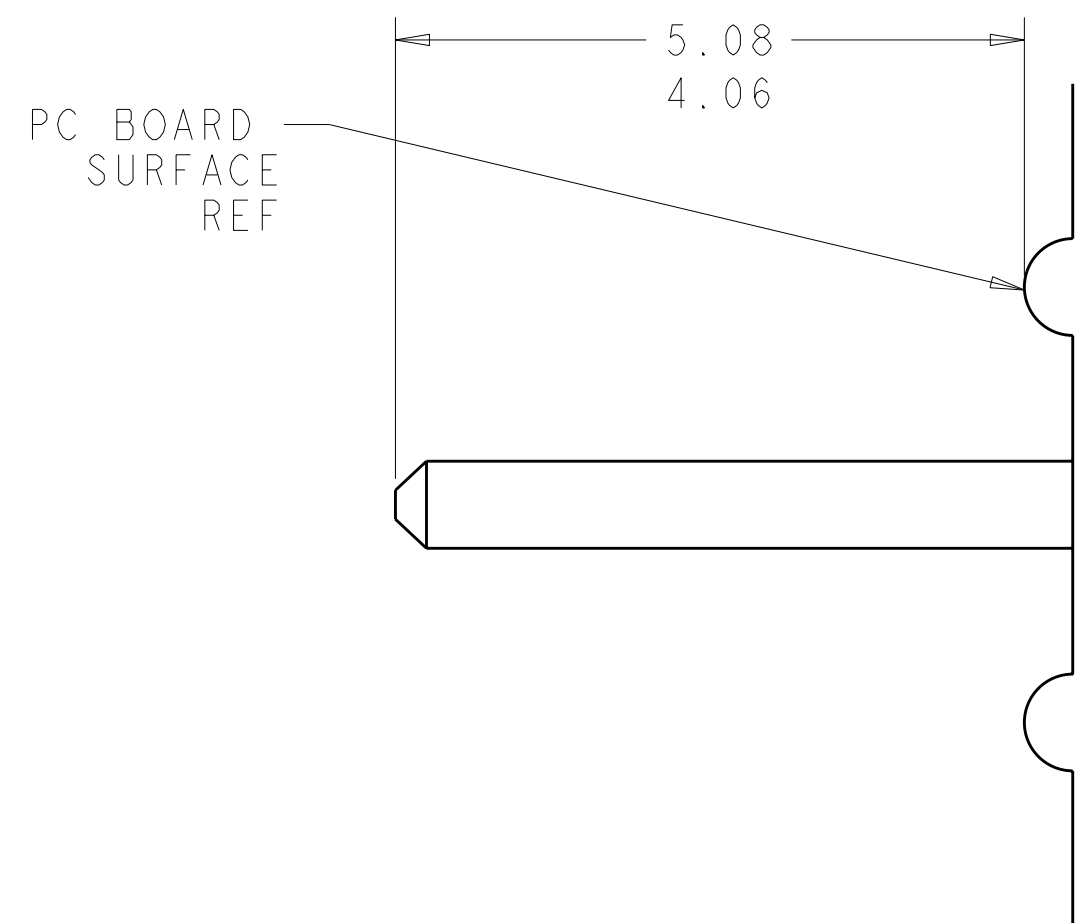


PRINTED CIRCUIT LAYOUT  
 SCALE 6:1

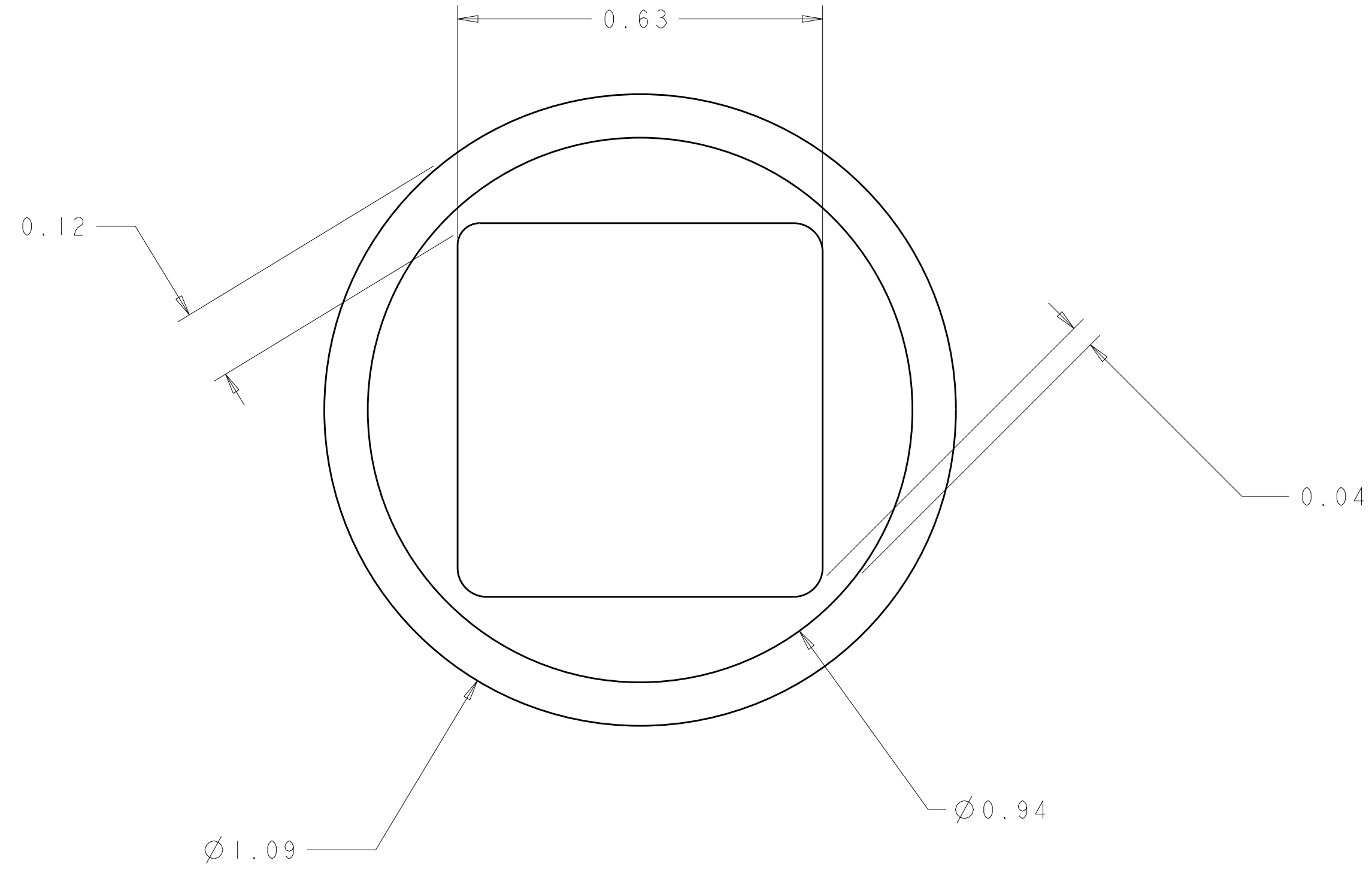
CONNECTOR	CATALOG MODULE #	QTY	SIZE NO.	CONTACT QTY	MATING PIN	MAX. CURRENT (PER CONTACT)	CONTACT SPACING	VOLTAGE RATING
SOCKET	FP100	2	8	2	1.25 X 7.00 [.049 X .276]	35 amps	7.50 [.2953]	250 VOLTS
	FP101	2	8	2	1.25 X 7.00 [.049 X .276]	35 amps	7.50 [.2953]	250 VOLTS
	FP312	1	22	6	.64 SQ.	3 amps	2.5	125 VOLTS
	FP502	2	STRAIGHT GUIDE SOCKET					

<small>THIS DRAWING IS UNPUBLISHED. RELEASED FOR PUBLICATION BY TYCO ELECTRONICS CORPORATION. ALL RIGHTS RESERVED.</small> <small>THIS IS SUBJECT TO CHANGE WITHOUT NOTICE. THE USER SHALL BE RESPONSIBLE FOR VERIFYING THE DIMENSIONS AND TOLERANCES OF CONTACTS FOR THE LATEST REVISION.</small>		DWN C. ROHLER 14OCT2008 CHK P. DAMATO 14OCT2008 APPD M. PERCHERKE 14OCT2008	Tyco Electronics Harrisburg, PA 17105-3608
DIMENSIONS: mm 	TOLERANCES UNLESS OTHERWISE SPECIFIED: 9 PLC ±.50 8 PLC ±.25 5 PLC ±.25 4 PLC ±.25 ANGLES ±.5 FINISH	NAME SOCKET CONNECTOR ASSEMBLY FLATPAQ SIZE CAGE CODE DRAWING NO A 100779 C-2085011 WEIGHT CUSTOMER DRAWING	RESTRICTED TO SCALE 1:1 SHEET 2 OF 3 REV B

LOC	DIST	REV	DATE	BY	APPD
-	-	1	-	-	-
DESCRIPTION			DATE	DWN	APPD
SEE SHEET 1			-	-	-



5. SOLDER TAIL DETAIL  
SCALE: 10:1



6. SOLDER TERMINATION AREA

SCALE 40:1  
 RECOMMENDED PRINTED CIRCUIT SOLDER HOLE  
 FINISHED HOLE: Ø1.02 [ .040 ] ±.08 [ .003 ]  
 DRILLED HOLE: Ø1.15 [ .0453 ] ±.013 [ .0005 ]  
 COPPER PLATE: .025 [ .0010 ] MIN  
 TIN PLATE: .008 [ .0003 ] MIN. (PER SURFACE)

<small>THIS DRAWING IS UNPUBLISHED. RELEASED FOR PUBLICATION. IT IS SUBJECT TO CHANGE WITHOUT NOTICE AND WITHOUT OBLIGATION. SHOULD BE CONTACTED FOR THE LATEST REVISION.</small>		DWN C. ROHLER 14OCT2008 CHK P. DAMATO 14OCT2008 APPD M. PERCHERKE 14OCT2008	Tyco Electronics Harrisburg, PA 17105-3608
DIMENSIONS: mm 		TOLERANCES UNLESS OTHERWISE SPECIFIED: 0 PLC ±.00 1 PLC ±.50 2 PLC ±.25 3 PLC ±.13 4 PLC ±.08 ANGLES ±.5 FINISH	NAME SOCKET CONNECTOR ASSEMBLY FLATPAQ SIZE CAGE CODE DRAWING NO A100779C-2085011 RESTRICTED TO
MATERIAL - -		WEIGHT - - CUSTOMER DRAWING	SCALE 4:1 SHEET 3 OF 3 REV B