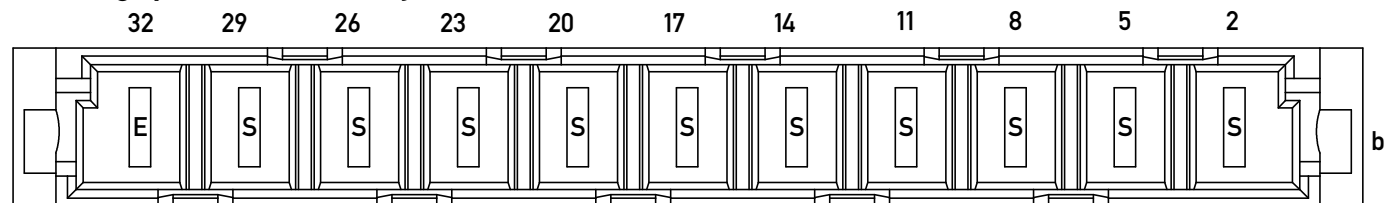
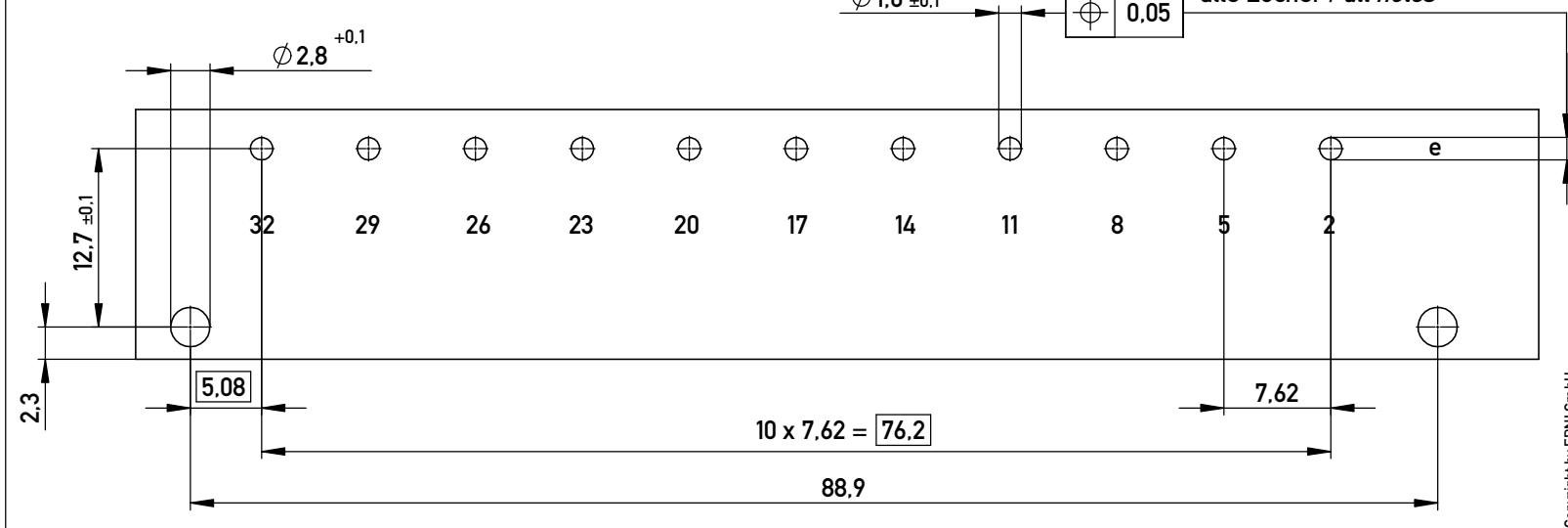


Bestückungsplan / contact layout



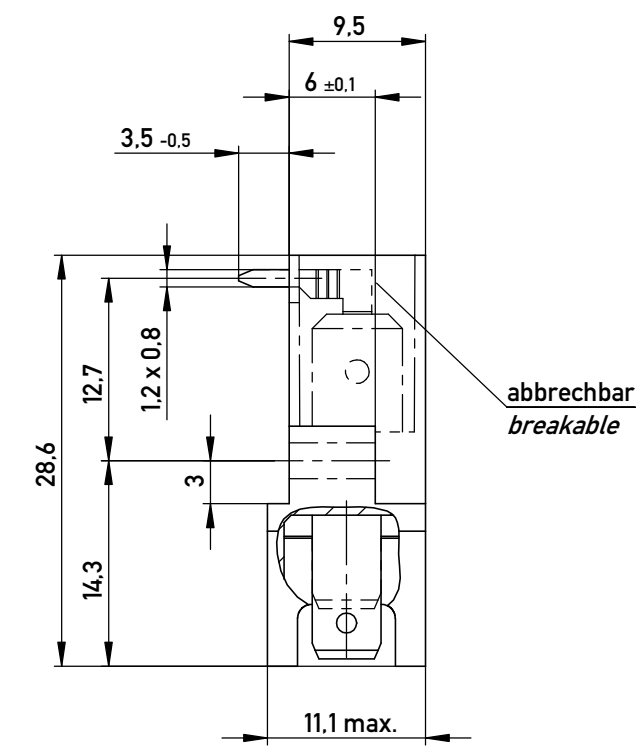
Leiterplatten-Layout / PCB drillhole pattern



Copyright by ERNI GmbH
Proprietary notice pursuant to ISO 16016 to be observed.

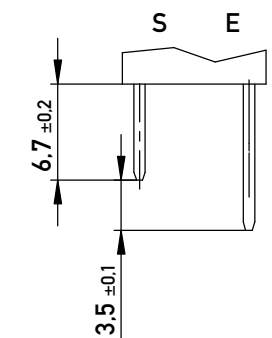
Information:		Tolerances	Scale 2:1
All rights reserved. Only for Information. To ensure that this is the latest version of this drawing, please contact one of the ERNI companies before using.		All Dimensions in mm	Designation
		Subject to modification without prior notice. Drawing will not be updated.	Messerleiste H11 Löt Male Connector H11 Solder
		www.ERNI.com	233230
d	20.09.2017		I
Index	Date		A3
Class			STVH11

Stecklänge
mating length



abbrechbar
breakable

Stecklänge / mating length



E = early mate, late break / voreilend

S = standard

Lötanschluss 0,8 x 1,2 mm / solder terminal 0,8 x 1,2 mm
Anforderungsstufe 1 = 500 Steckzyklen / performance class 1 = 500 mating cycles
Bauart 3 / type 3

Fehlende Masse und Angaben nach DIN EN 60603-2 /
Missing information and dimensions according to DIN EN 60603-2