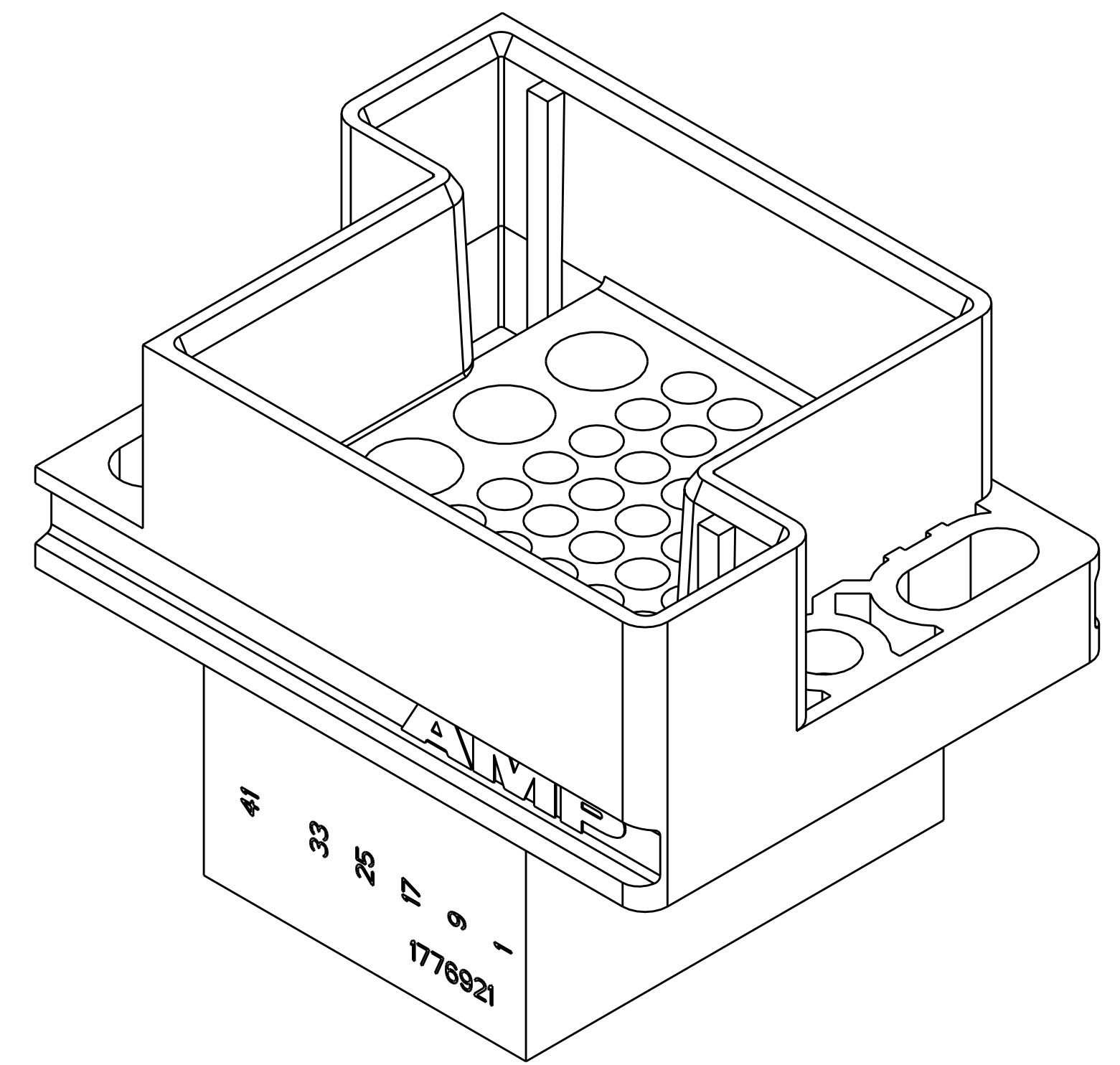
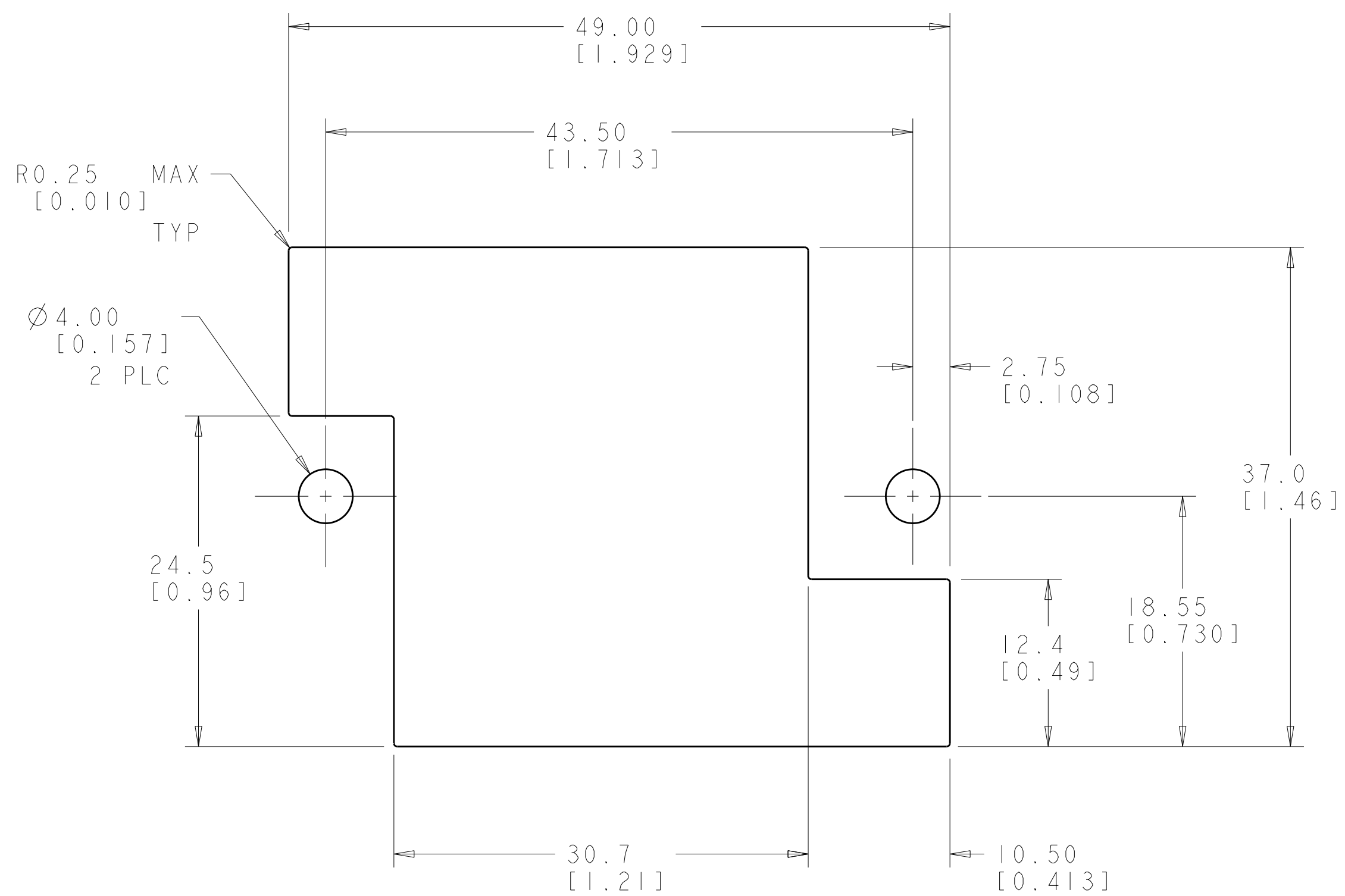
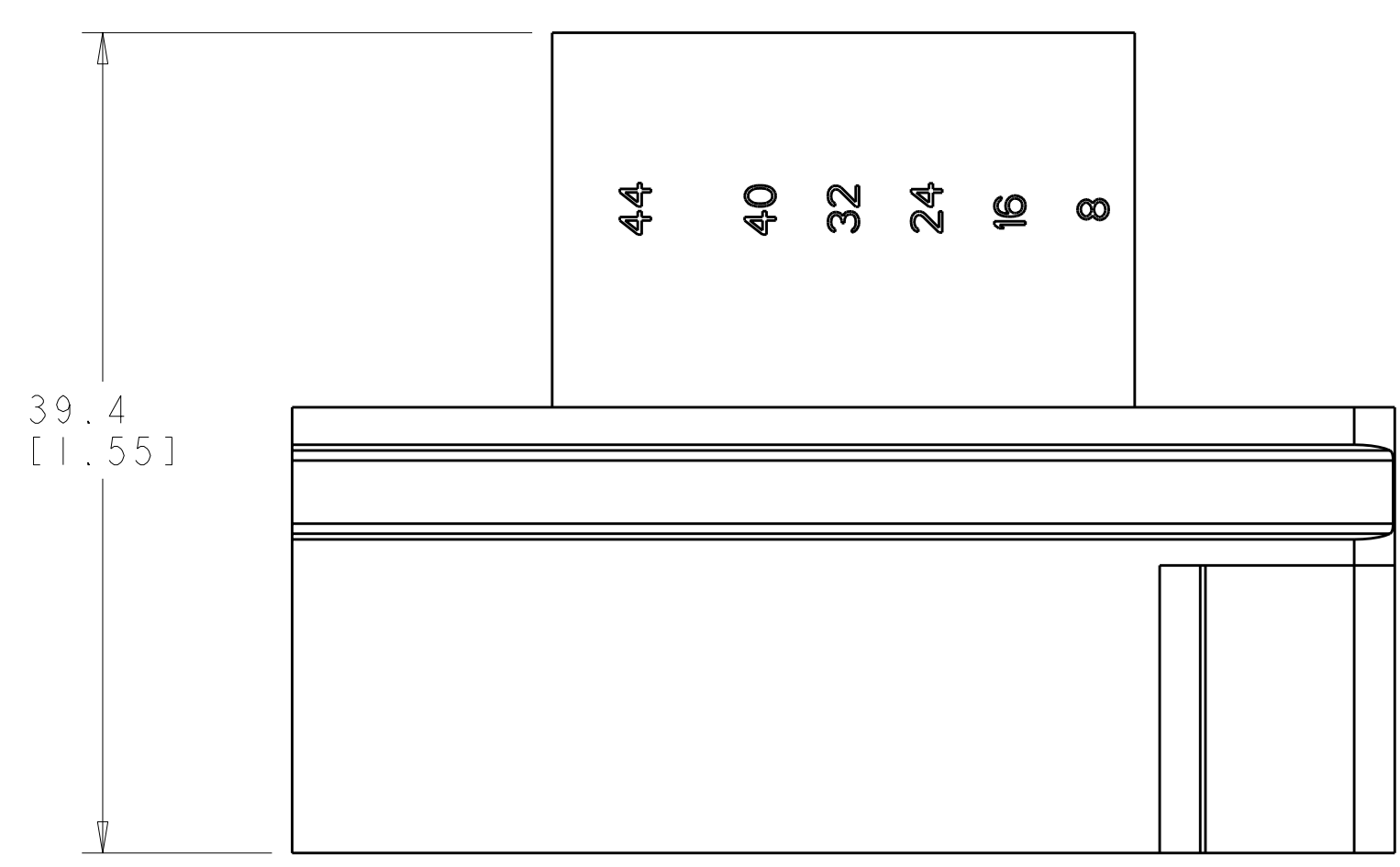
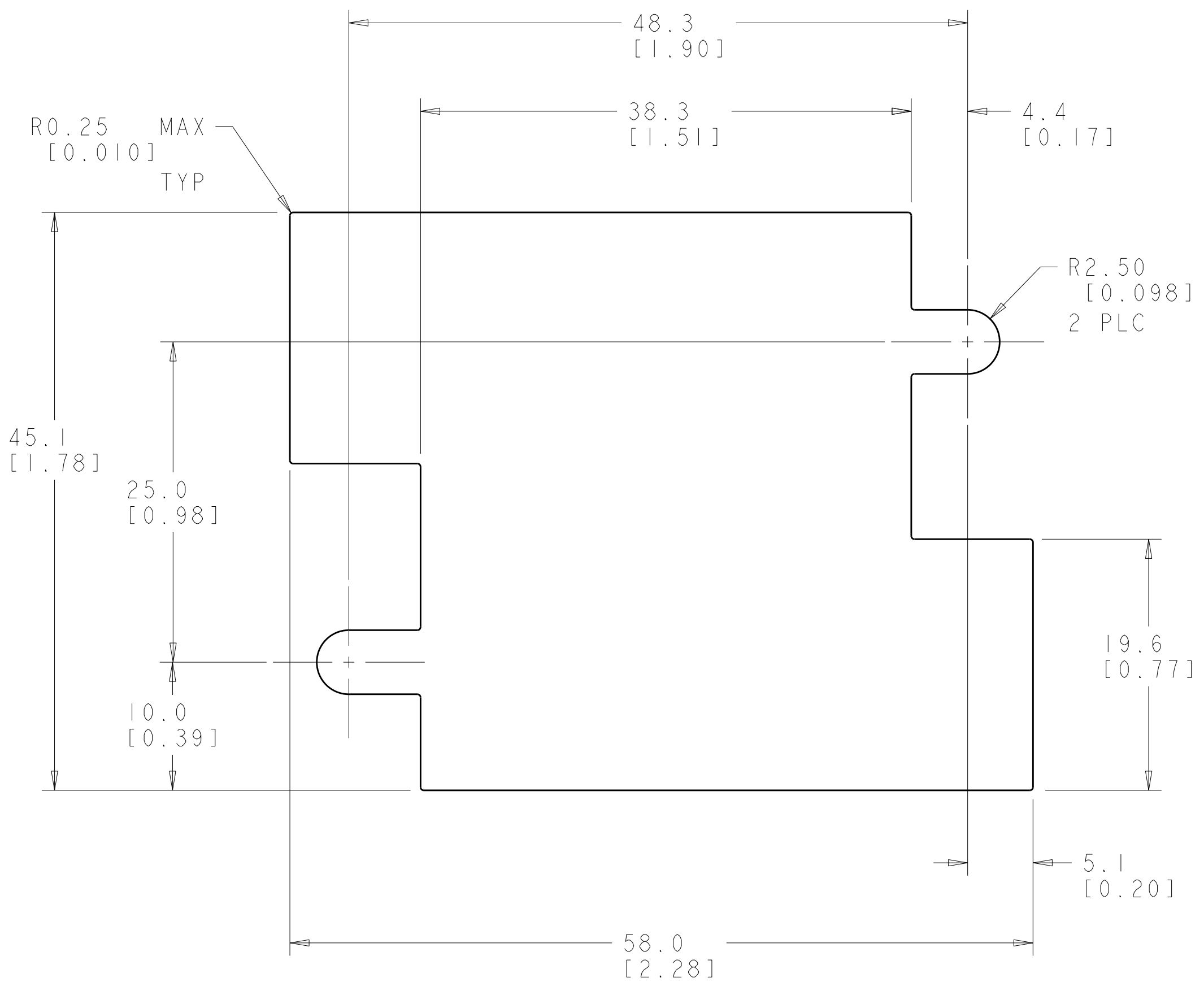
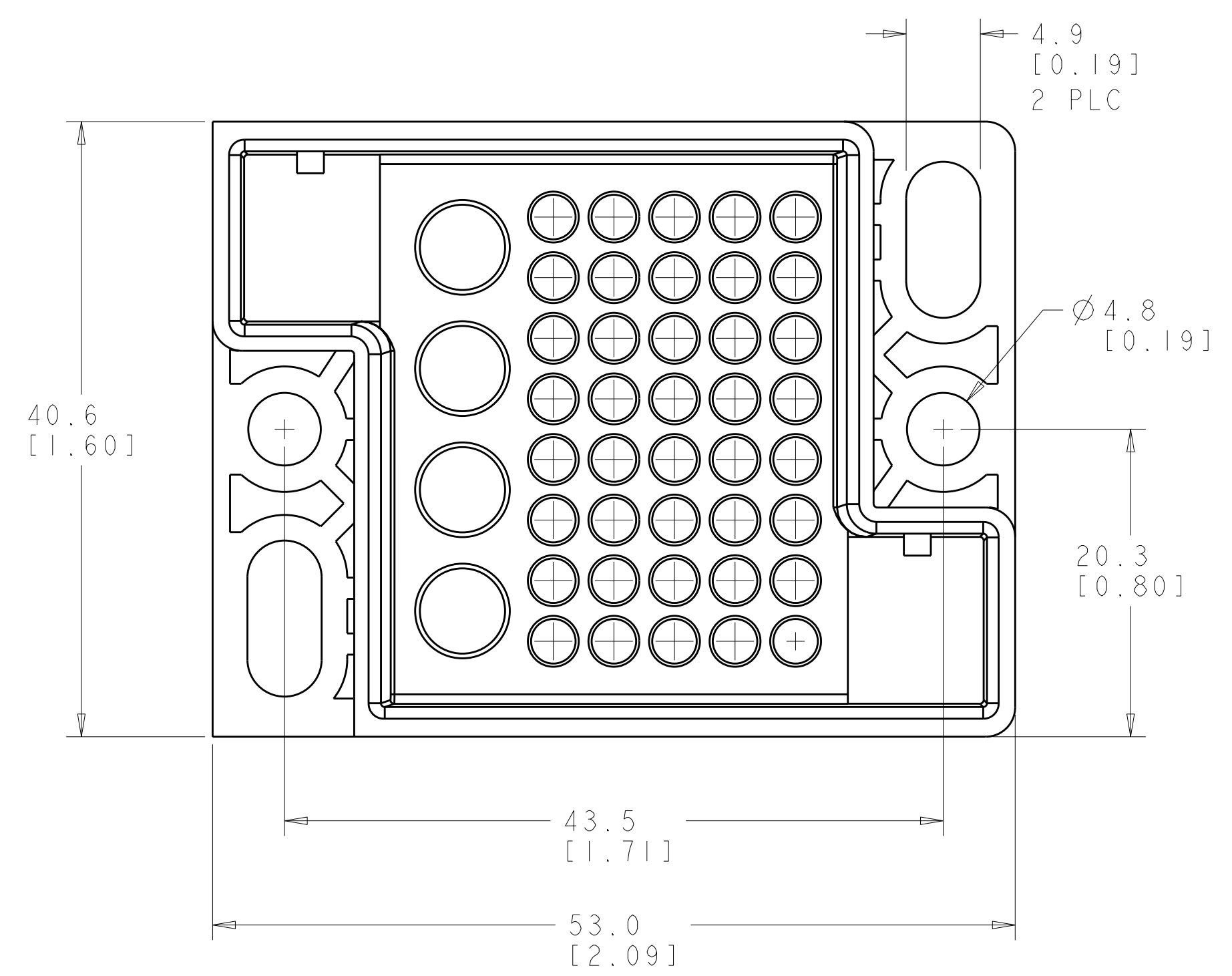


LOC	DIST	REV	DESCRIPTION	DATE	DWN	APVD
FT	0	A	RELEASED	200CT2006	SW	GS

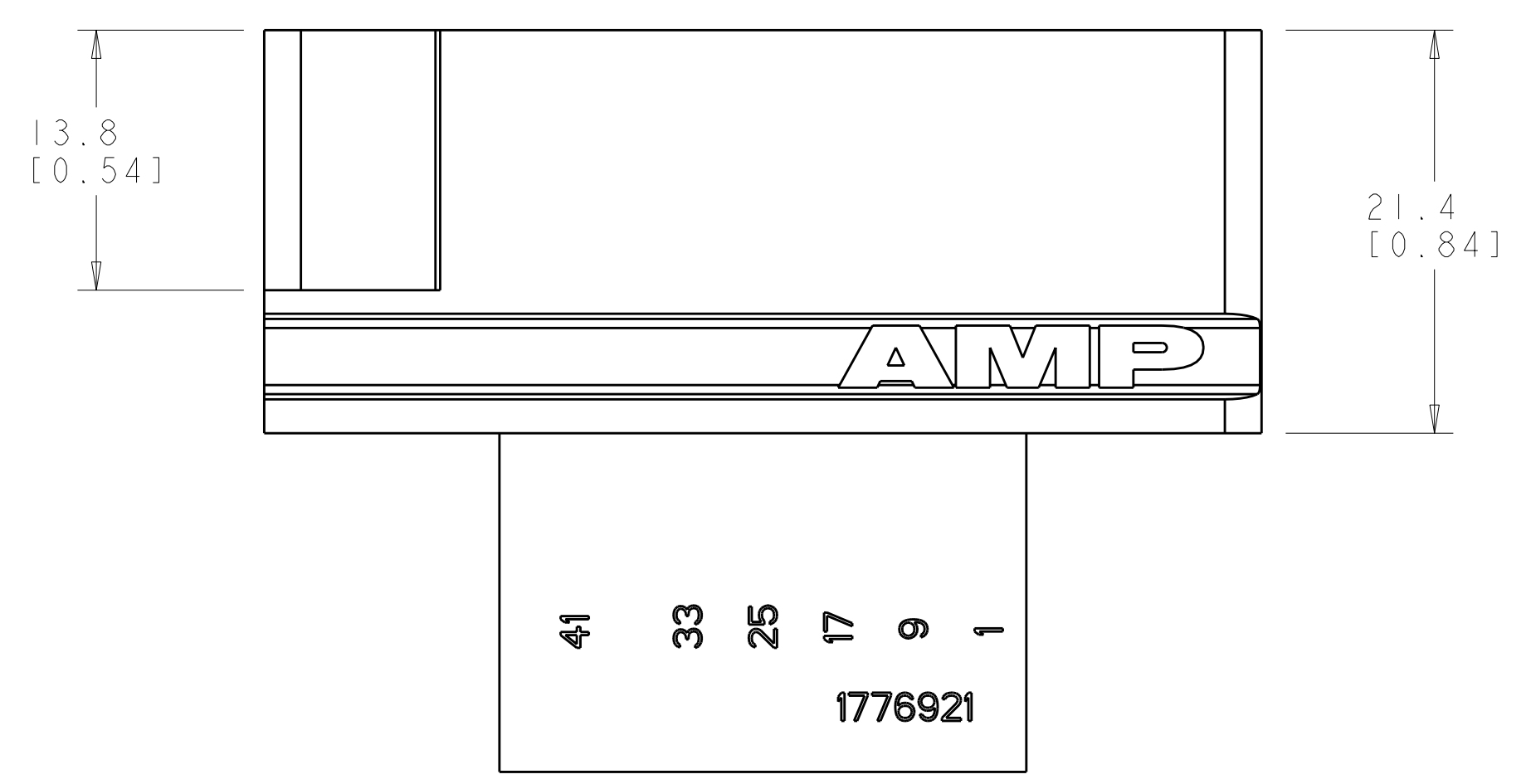


RECOMMENDED STATIONARY MOUNT PANEL CUTOUT  
EXTERNAL VIEW  
SCALE 4:1



RECOMMENDED FLOAT MOUNT PANEL CUTOUT  
EXTERNAL VIEW  
SCALE 4:1

1. POSITIONS 1-40 ARE FOR SIZE 16 CONTACTS.
2. POSITIONS 40-44 ARE FOR 3mm CONTACTS.
3. INSERTS ARE NOT REQUIRED WHEN FLOAT MOUNTING.
4. ALL DIMENSIONS EXCEPT PANEL CUTOUTS ARE REFERENCE ONLY.



1776921-1  
PART NUMBER

<small>THIS DRAWING IS UNPUBLISHED. RELEASED FOR PUBLICATION. BY TYCO ELECTRONICS CORPORATION, ALL RIGHTS RESERVED.</small>		DWN S. WELDON 200CT2006 CHK G. STEINHÄUER 200CT2006 APVD G. STEINHÄUER 200CT2006	Tyco Electronics Harrisburg, PA 17105-3608
DIMENSIONS: mm [INCHES]	TOLERANCES UNLESS OTHERWISE SPECIFIED: 0 PLC ± 1 PLC ± 2 PLC ± 3 PLC ± 4 PLC ± ANGLES ±	NAME RECEPTACLE HOUSING, 44 POSITION, Multi Pin Plus, AMPower PRODUCT SPEC APPLICATION SPEC	SIZE CAGE CODE DRAWING NO RESTRICTED TO A 00779 C-1776921
MATERIAL	FINISH	WEIGHT	CUSTOMER DRAWING
SCALE 3:1		SHEET 1 OF 1	REV A