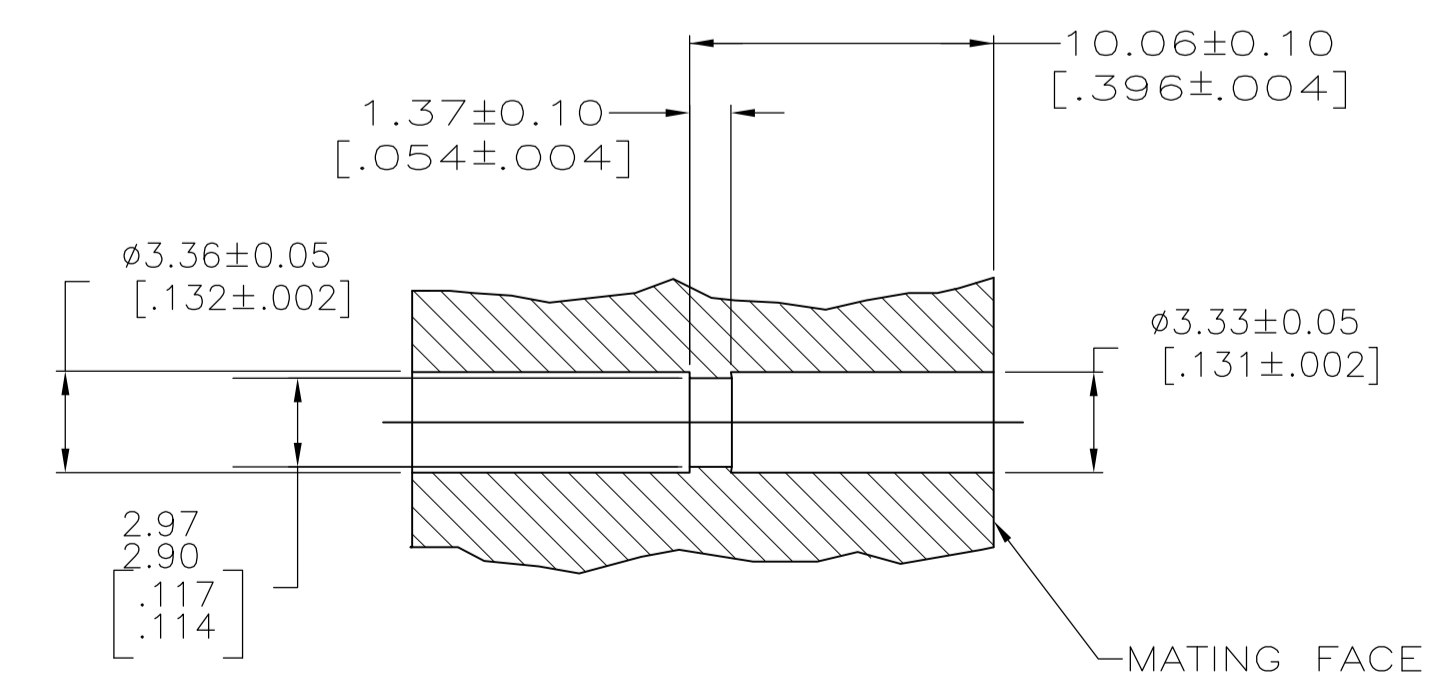
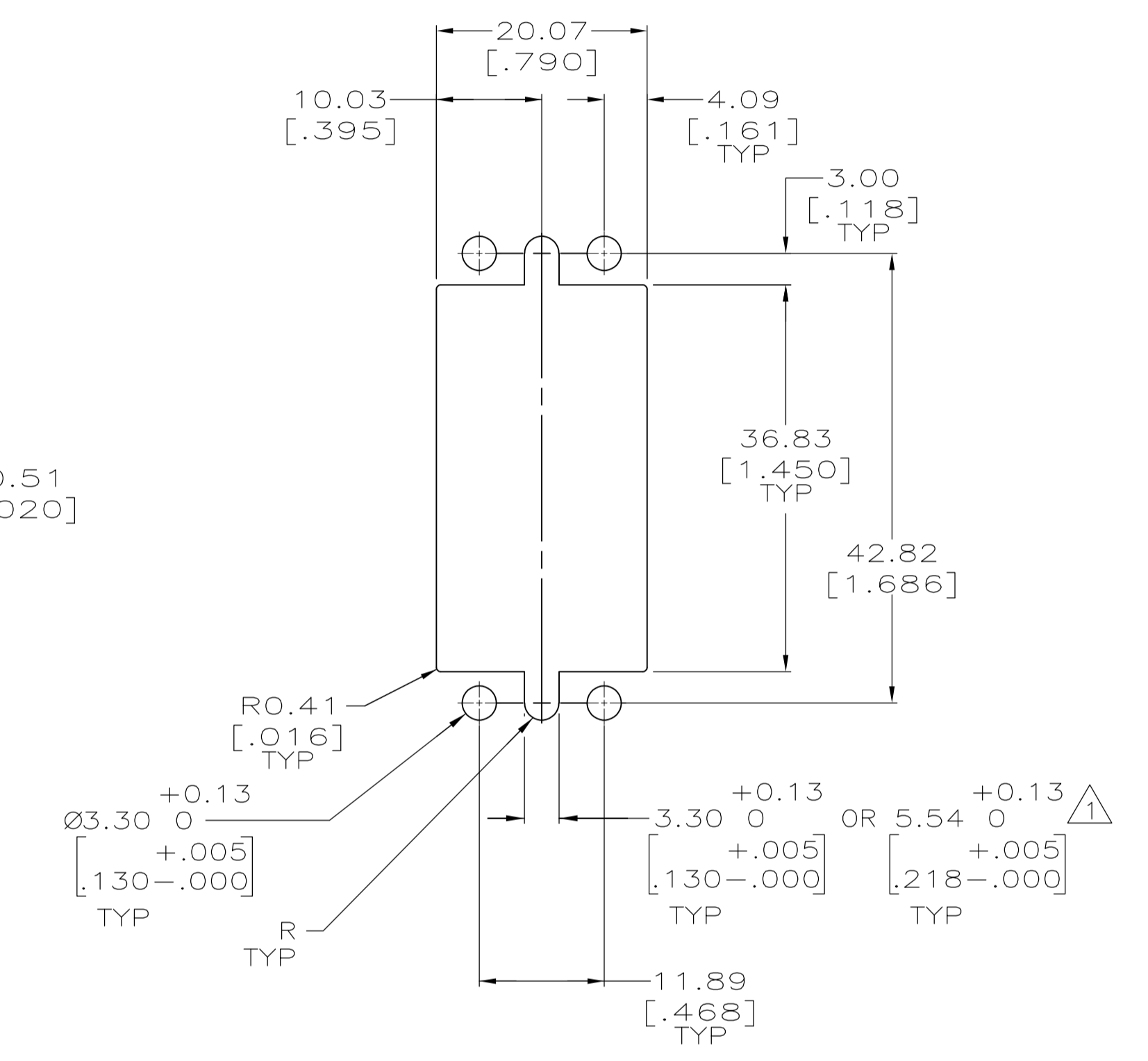
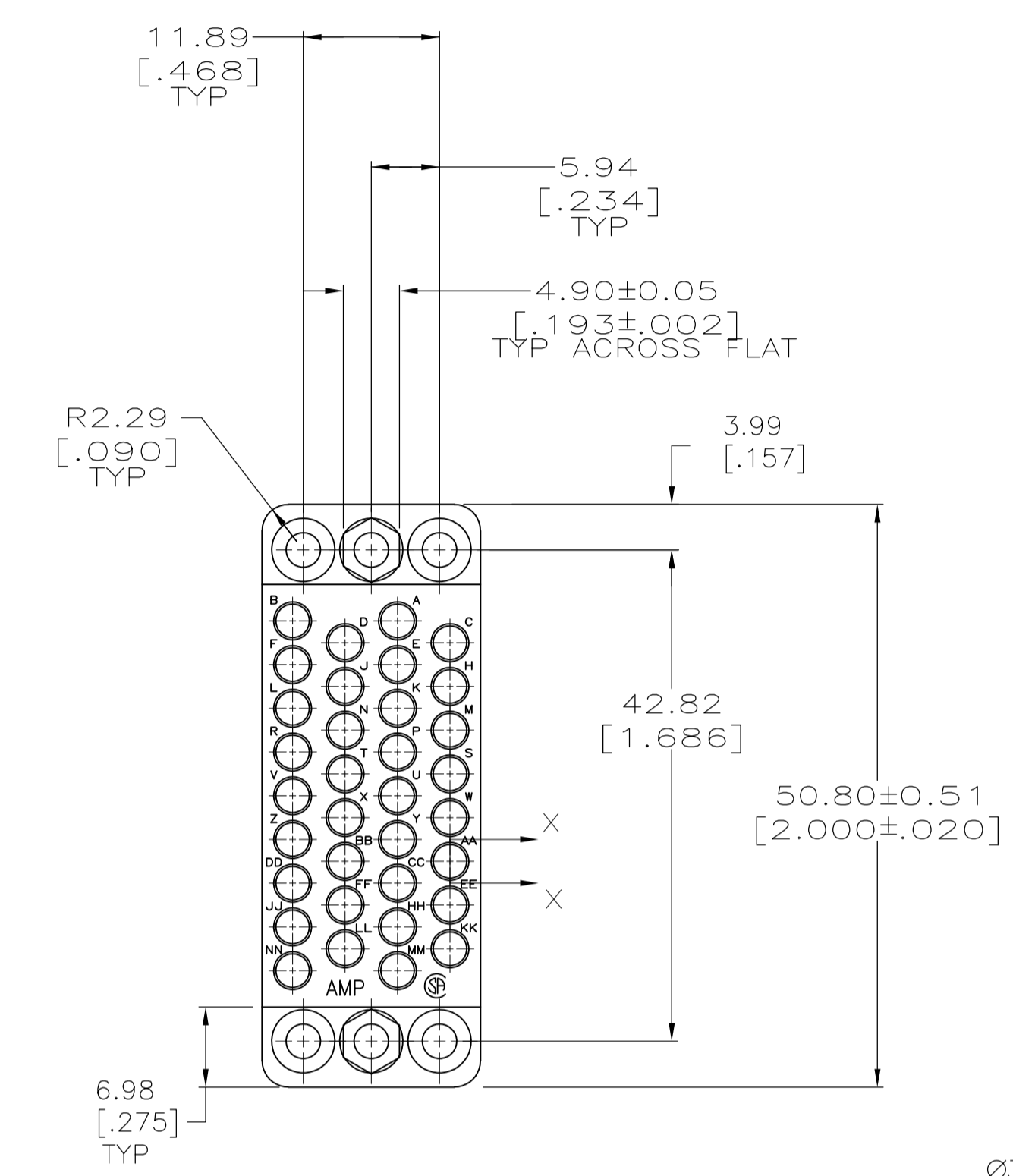
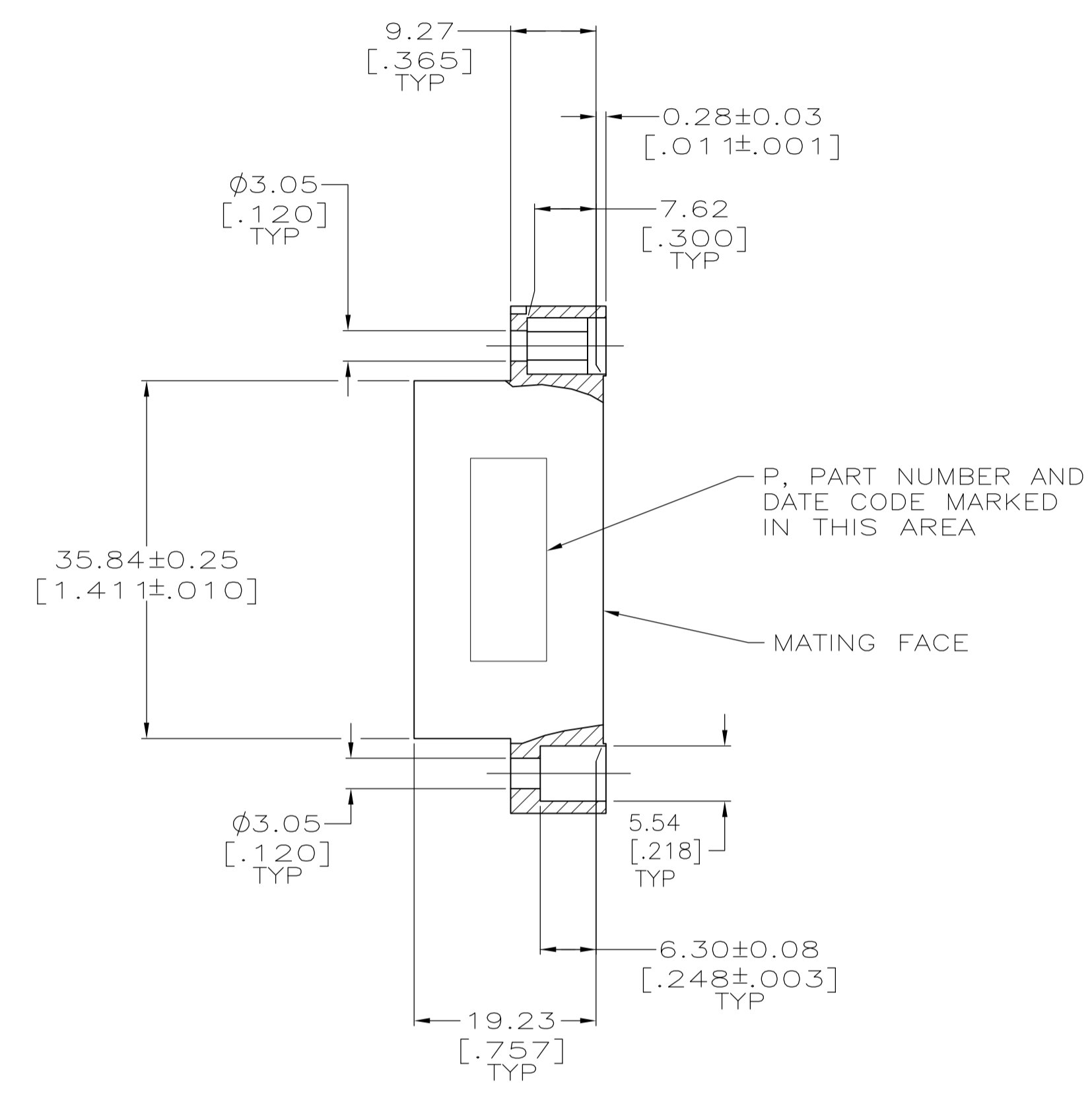
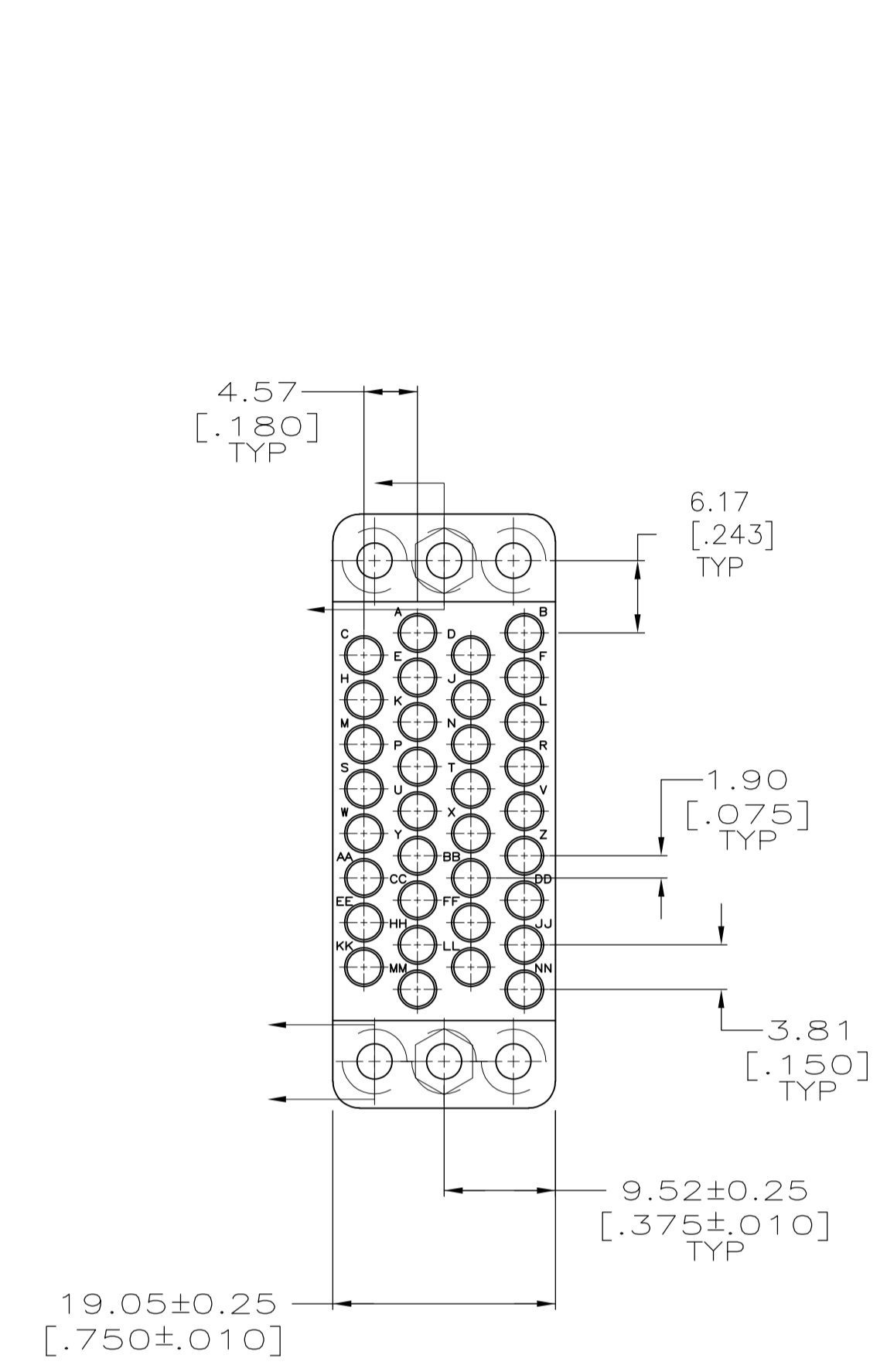


LOC		DIST		REVISIONS			
P	LTR	DESCRIPTION	DATE	DN	APVD		
Z		REVISED PER ECO-07-029096	12/11/07	SS	GS		



⚠ 5.54[.218] IS REQUIRED WHEN JACKSCREWS ARE USED.
 2. MATES WITH BLOCK 200838 AND ACCOMMODATES TYPE II #20 CONTACTS.

200837-2
 PART NUMBER

THIS DRAWING IS A CONTROLLED DOCUMENT.		DN C. OBERMAN 14 OCT 97	Tyco Electronics Corporation Harrisburg, PA 17105-3608	
DIMENSIONS: mm [INCHES]		CHK R. STONE 15 OCT 97	NAME G. STEINHÄUER 09 JAN 98	
TOLERANCES UNLESS OTHERWISE SPECIFIED:		PRODUCT SPEC		
0 PLC ± - 1 PLC ± - 2 PLC ± 0.13 [.005] 3 PLC ± - 4 PLC ± - ANGLES ± -		APPLICATION SPEC		
MATERIAL PHENOLIC, BLACK	FINISH -	WEIGHT -	SIZE A1	RESTRICTED TO -
CUSTOMER DRAWING		SCALE 2:1	SHEET 1 OF 1	REV Z