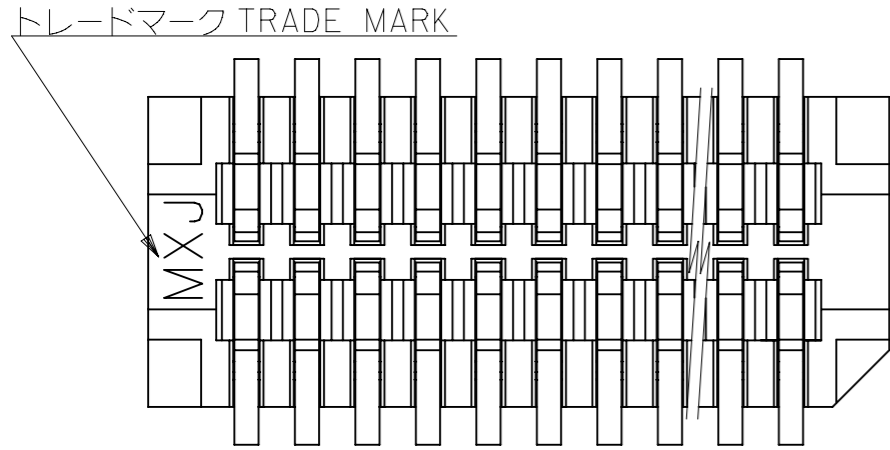


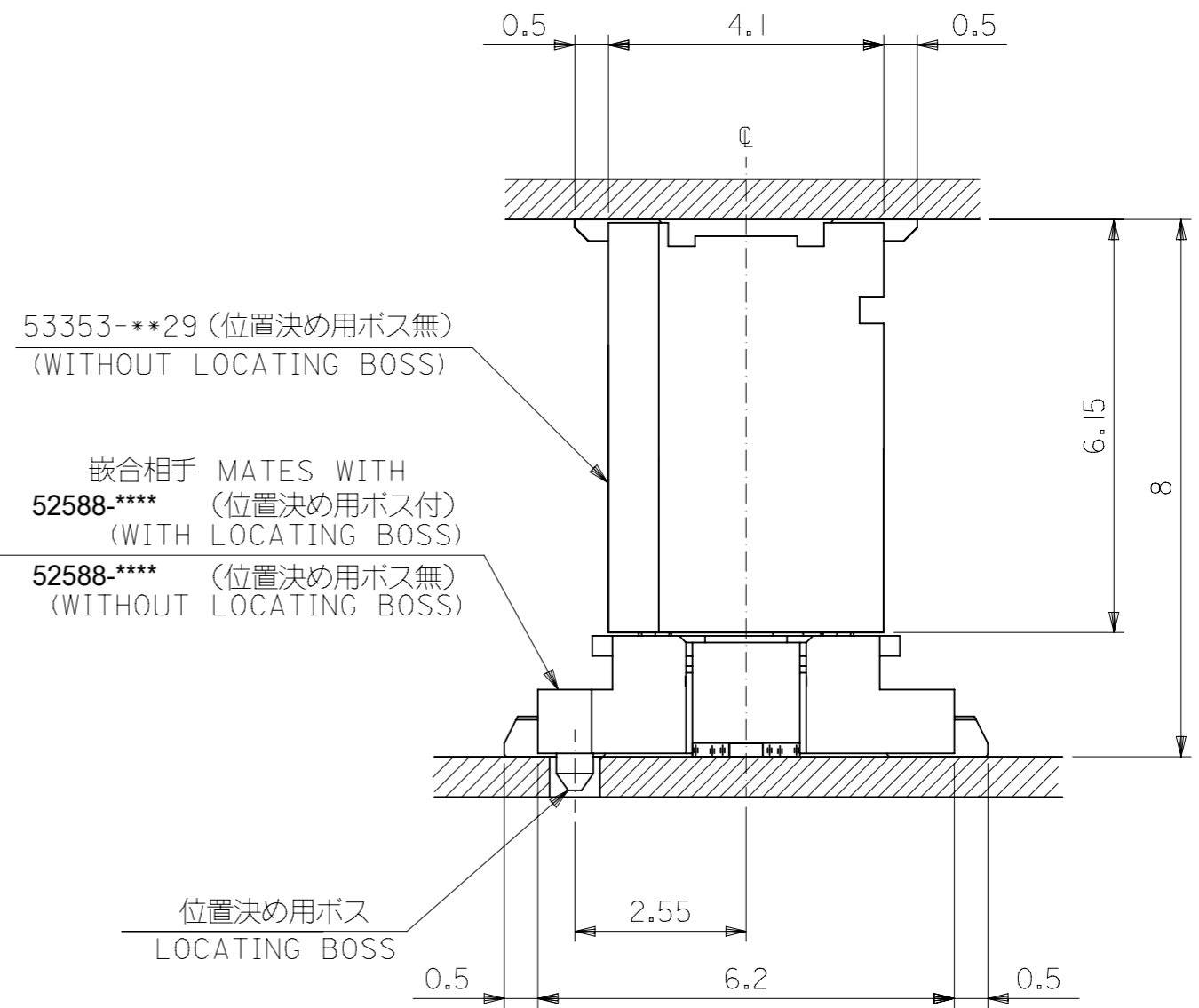
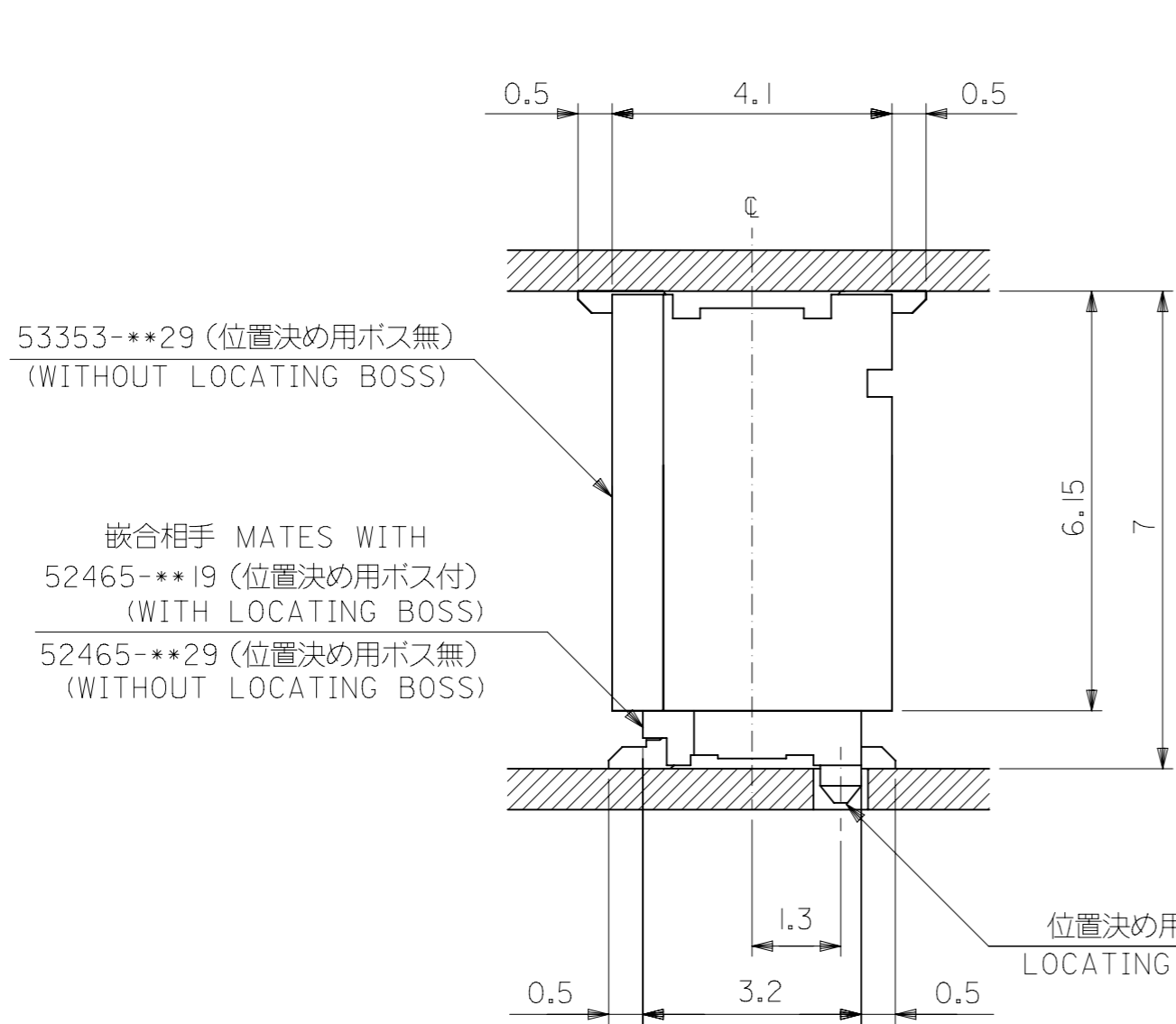
- 注記 NOTES
1. 嵌合相手: 52465, 52588 シリーズ  
MATES WITH: 52465, 52588 SERIES
  2. ウェハーの  $\phi$  から隣接するピンの  $\phi$  迄の位置を示す。  
SHOW POSITION FROM  $\phi$  OF WAFER TO  $\phi$  OF ADJACENT PINS.
  3. ELV 及び RoHS 適合品。  
ELV AND RoHS COMPLIANT.
  4. テール平坦度: 0.1MAX .  
COPLANARITY: 0.1MAXIMUM



0.8	5.8	4.9	3.2	53353-1071	10
D	C	B	(A)	EMBOSSED PACKAGE オーダー番号 ORDER NO. CONNECTOR SERIES No. : 53353-**29	極数 CIRCUIT

THIS DRAWING CONTAINS INFORMATION THAT IS PROPRIETARY TO MOLEX ELECTRONIC TECHNOLOGIES, LLC AND SHOULD NOT BE USED WITHOUT WRITTEN PERMISSION

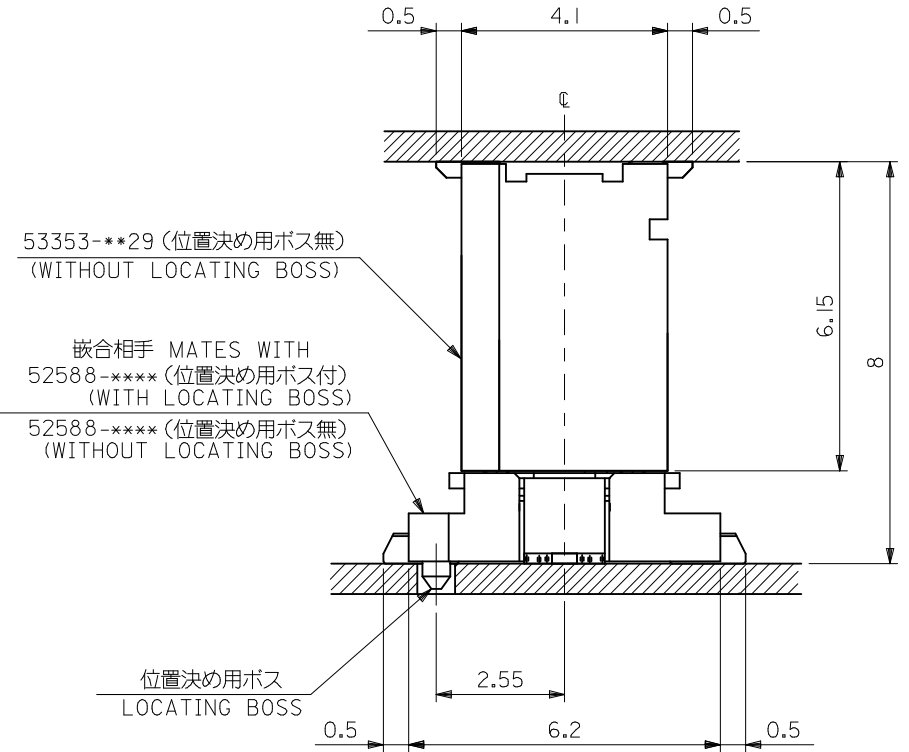
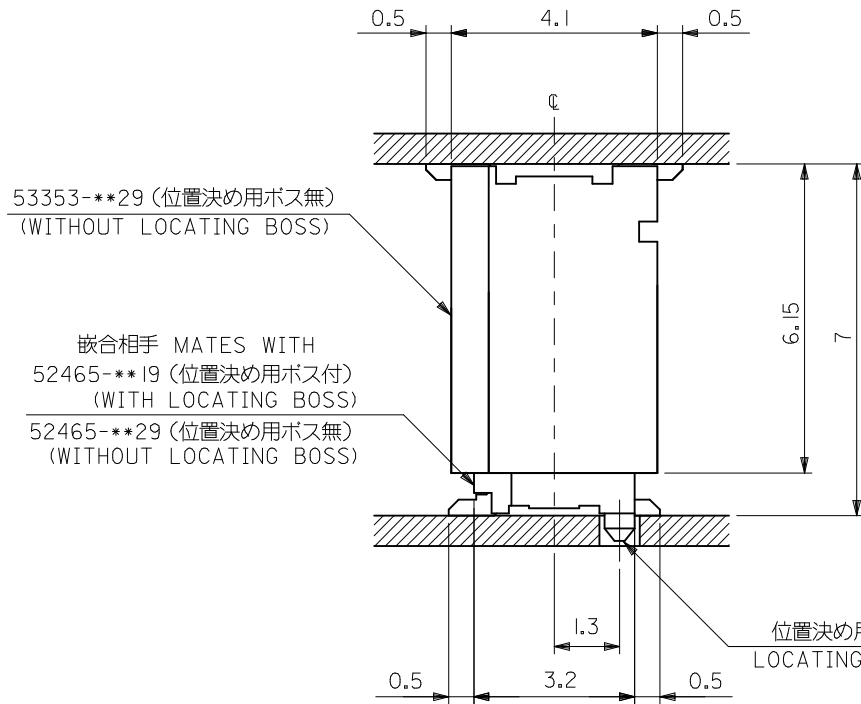
DIMENSION UNITS	SCALE	CURRENT REV DESC: REMOVED OBSOLETE PART NUMBERS AS PER PCN#510812	<b>molex</b>		
mm	NTS				
GENERAL TOLERANCES (UNLESS SPECIFIED)			0.8 B/B CONN. WAFER ASSY ST. SMT(WITHOUT BOSS)		
ANGULAR TOL	± 3.0°	EC NO: 728320	PRODUCT CUSTOMER DRAWING		
4 PLACES	± 0.2	DRWN: LIKITV 2022/11/10	DOCUMENT NUMBER		
3 PLACES	± 0.25	CHK'D: GGA 2022/12/12	DOC TYPE DOC PART REVISION		
2 PLACES	± 0.3	APPR: GGA 2022/12/12	SD-53353-003 PSD 001 C1		
1 PLACE	±	INITIAL REVISION:	MATERIAL NUMBER		
0 PLACES	±	DRWN: YWADA 2004/03/05	CUSTOMER		
DRAFT WHERE APPLICABLE MUST REMAIN WITHIN DIMENSIONS		APPR: MSASAO 2004/03/11	A3-SIZE	SERIES 53353	SHEET NUMBER 1 OF 2



嵌合状態図 (参考)  
MATED DRAWING (REF.)

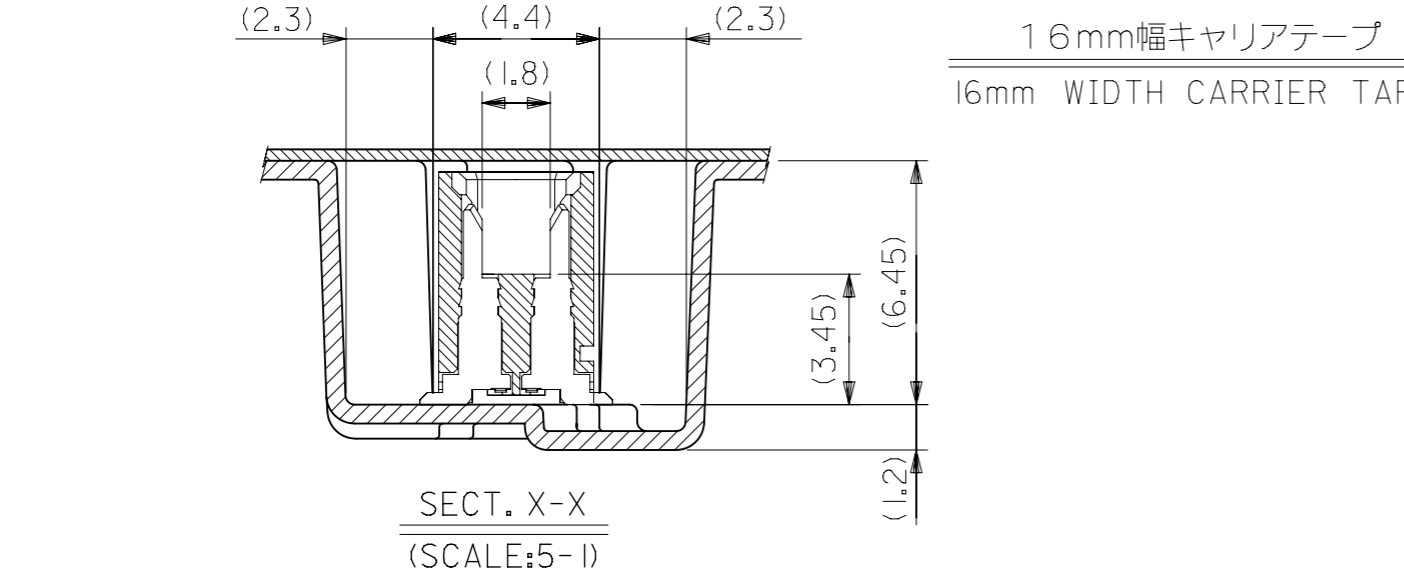
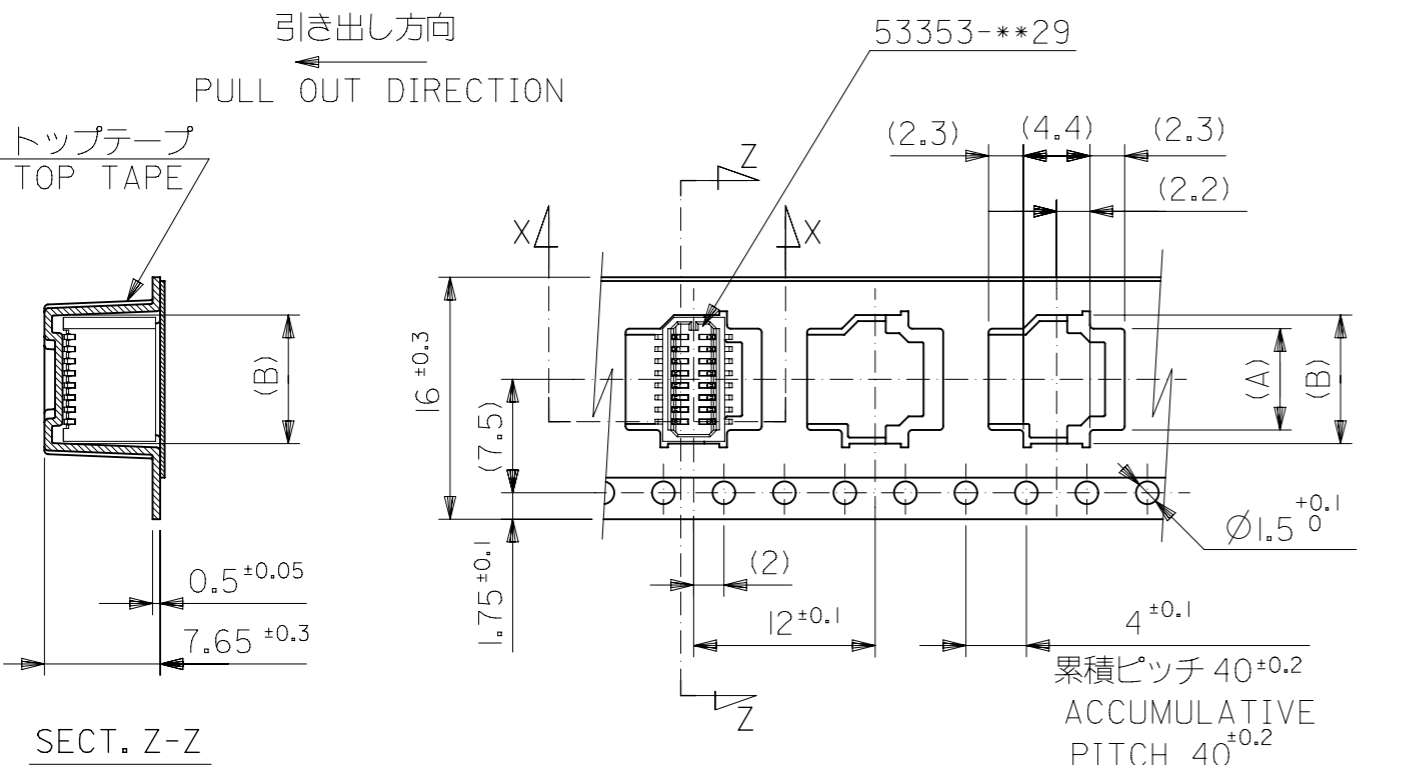
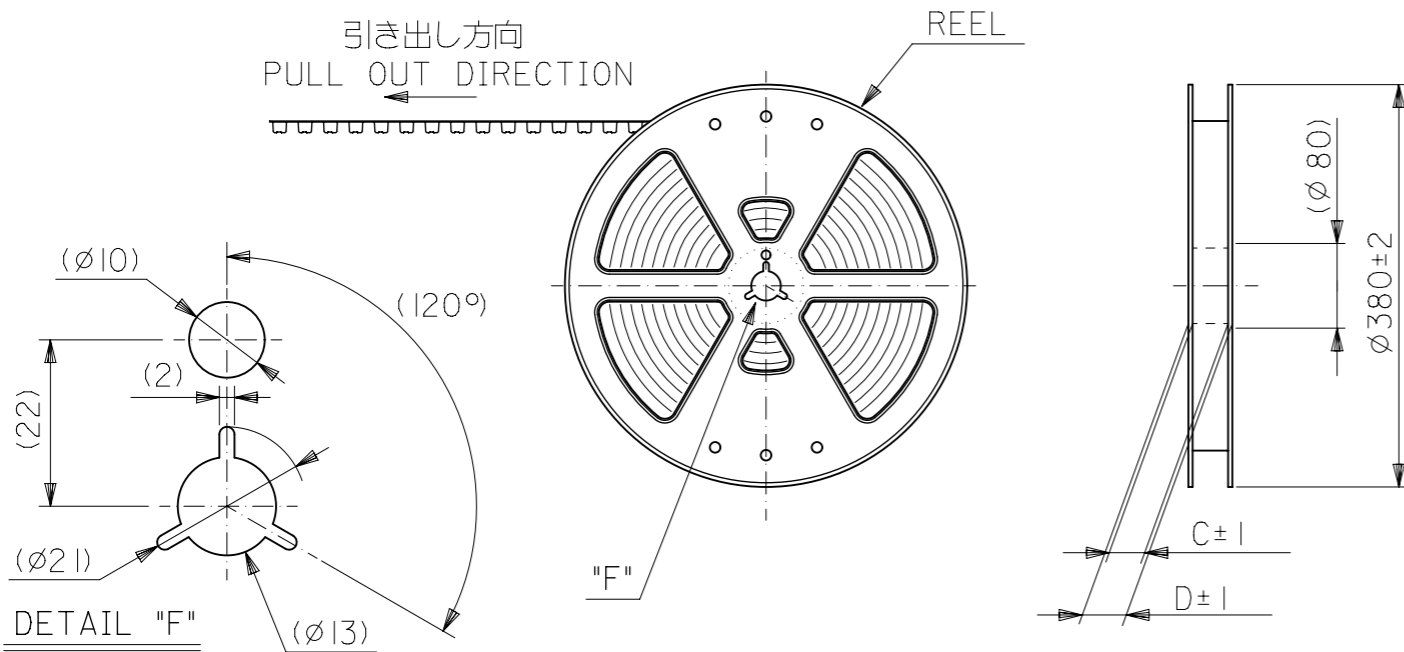
CONNECTOR SERIES No. : 53353-\*\*-29

THIS DRAWING CONTAINS INFORMATION THAT IS PROPRIETARY TO MOLEX ELECTRONIC TECHNOLOGIES, LLC AND SHOULD NOT BE USED WITHOUT WRITTEN PERMISSION									
DIMENSION UNITS	SCALE	CURRENT REV DESC: REMOVED OBSOLETE PART NUMBERS AS PER PCN#510812							
mm	NTS								
GENERAL TOLERANCES (UNLESS SPECIFIED)									
ANGULAR TOL	± 3.0 °	EC NO: 728320 DRWN: LIKITV 2022/11/10 CHK'D: GGA 2022/12/12 APPR: GGA 2022/12/12							
4 PLACES	± 0.2								
3 PLACES	± 0.25	INITIAL REVISION: DRWN: YWADA 2004/03/05 APPR: MSASAO 2004/03/11							
2 PLACES	± 0.3								
1 PLACE	±	DOCUMENT NUMBER		DOC TYPE	DOC PART	REVISION			
0 PLACES	±	SD-53353-003		PSD	001	C1			
DRAFT WHERE APPLICABLE MUST REMAIN WITHIN DIMENSIONS		THIRD ANGLE PROJECTION	DRAWING	SERIES	MATERIAL NUMBER	CUSTOMER	SHEET NUMBER		
			A3-SIZE	53353	SEE CHART	GENERAL MARKET	2 OF 2		



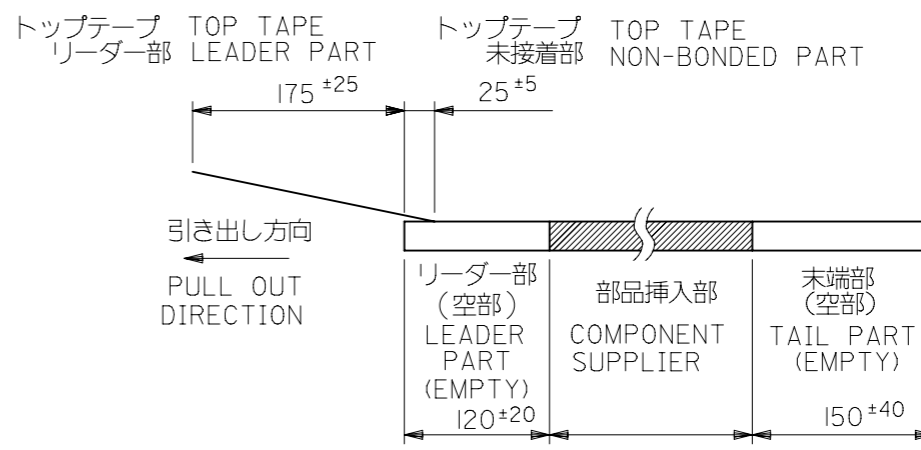
嵌合状態図 (参考)  
MATED DRAWING (REF.)

REVISED EC NO: J2018-0012 DRWNGES 2017/07/24 CHKD: APPR:MSASAO 2017/07/28	GENERAL TOLERANCES (UNLESS SPECIFIED)		DIMENSION STYLE		CONNECTOR SERIES No. : 53353-**29		
	0.25 UNDER		MM ONLY		SCALE	DESIGN UNITS	THIRD ANGLE PROJECTION
	0.25 OVER		DRAWN BY		---	METRIC	TITLE 0.8 B/B CONN. WAFER ASSY ST. SMT(WITHOUT BOSS)
	0.5 UNDER		DATE				
	0.5 OVER		Y.WADA				
	1.0 UNDER		DATE				
	10 UNDER		M.SASAO				
	30 UNDER		CHECKED BY				DOCUMENT NO. SD-53353-003
	ANGULAR		M.SASAO				
	DRAFT WHERE APPLICABLE MUST REMAIN WITHIN DIMENSIONS		APPROVED BY				SHEET NO. 2 OF 2
		M.SASAO					
		MATERIAL NO.					
		SEE CHART					
		SIZE A3					
		THIS DRAWING CONTAINS INFORMATION THAT IS PROPRIETARY TO MOLEX ELECTRONIC TECHNOLOGIES, LLC AND SHOULD NOT BE USED WITHOUT WRITTEN PERMISSION					

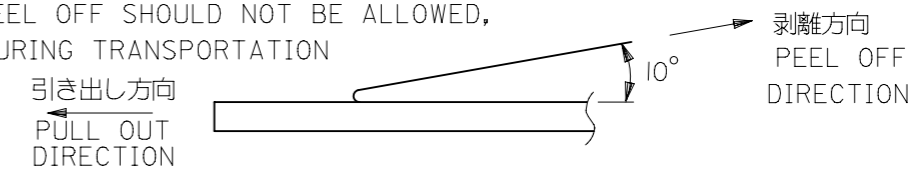


注記 NOTES

1. 梱包数量：1000個/リール NUMBER OF CONNECTORS:1000PCS/REEL
2. リードテープ長さ LEAD TAPE LENGTH



3. トップテープの剥離強度：(剥離方向は下図参照)  
 0. 1~1. 3N {10~130gf} 尚、本規格値は、出荷時に適用。  
 (但し、輸送時に剥離が発生しない事。)  
 PEELING OFF FORCE OF TOP TAPE  
 0. 1~1. 3N {10~130gf} (PEELING DIRECTION AS SHOWN IN FOLLOWING FIG.)  
 THIS REQUIREMENT SHOULD BE APPLIED AT SHIPMENT  
 PEEL OFF SHOULD NOT BE ALLOWED,  
 DURING TRANSPORTATION



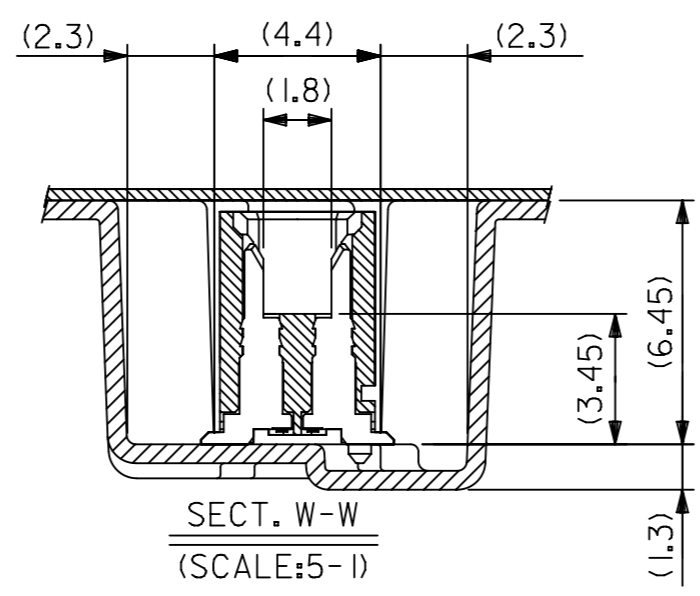
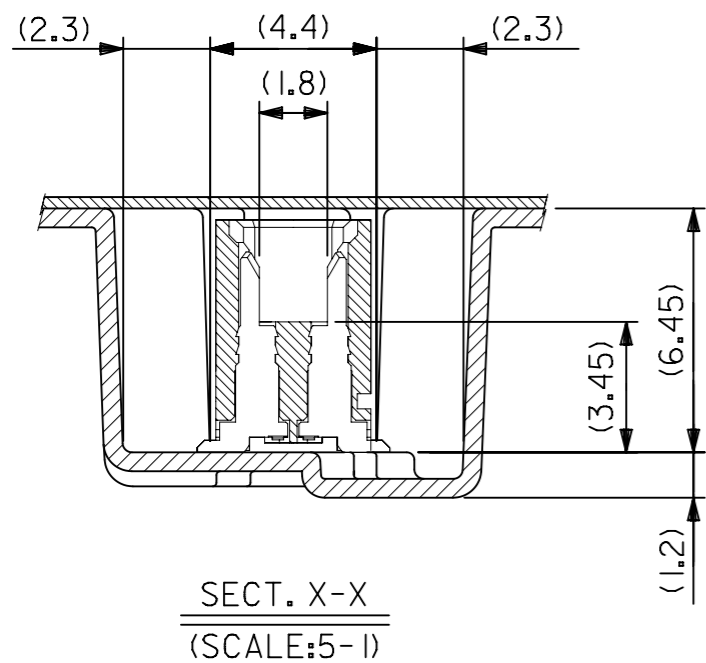
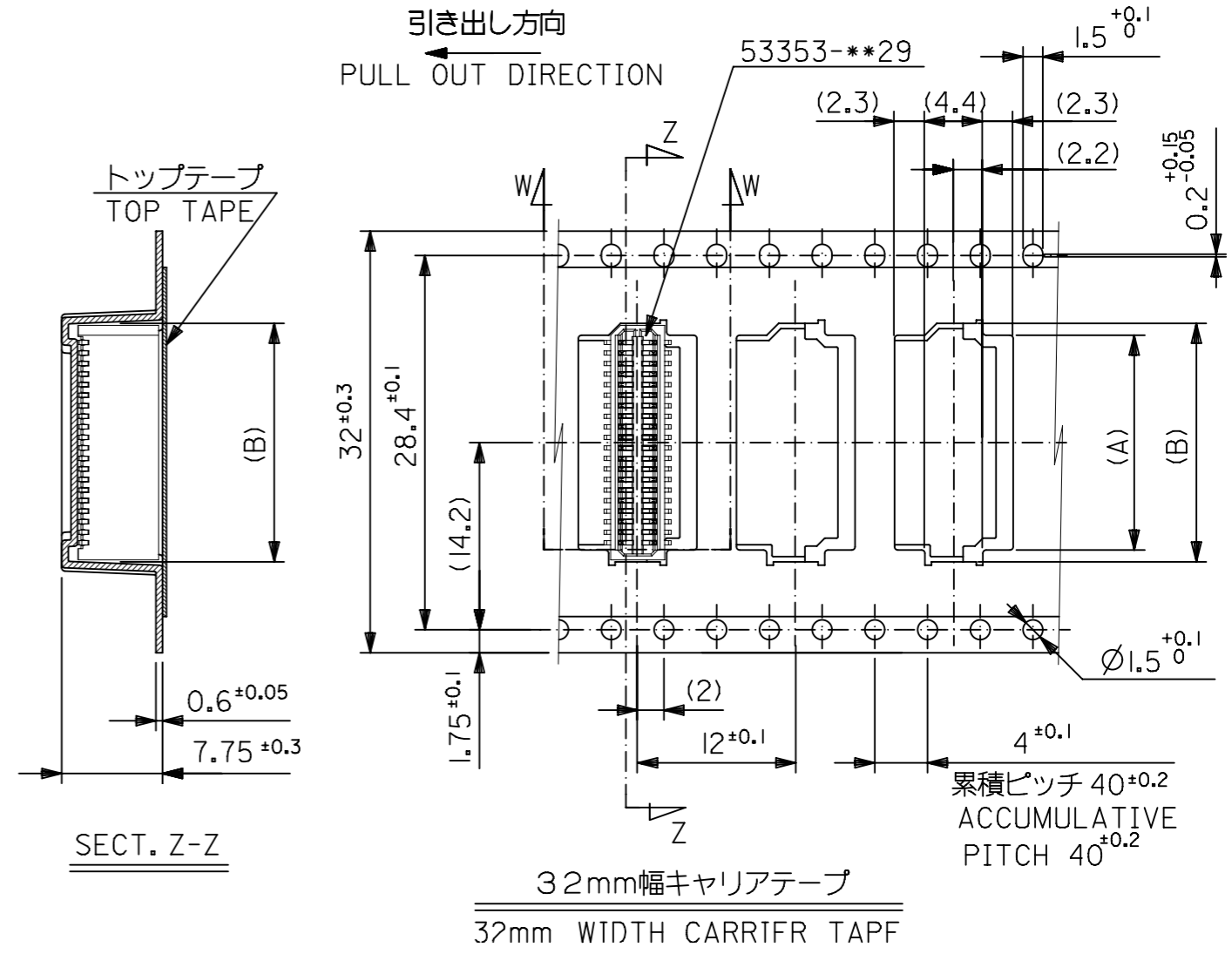
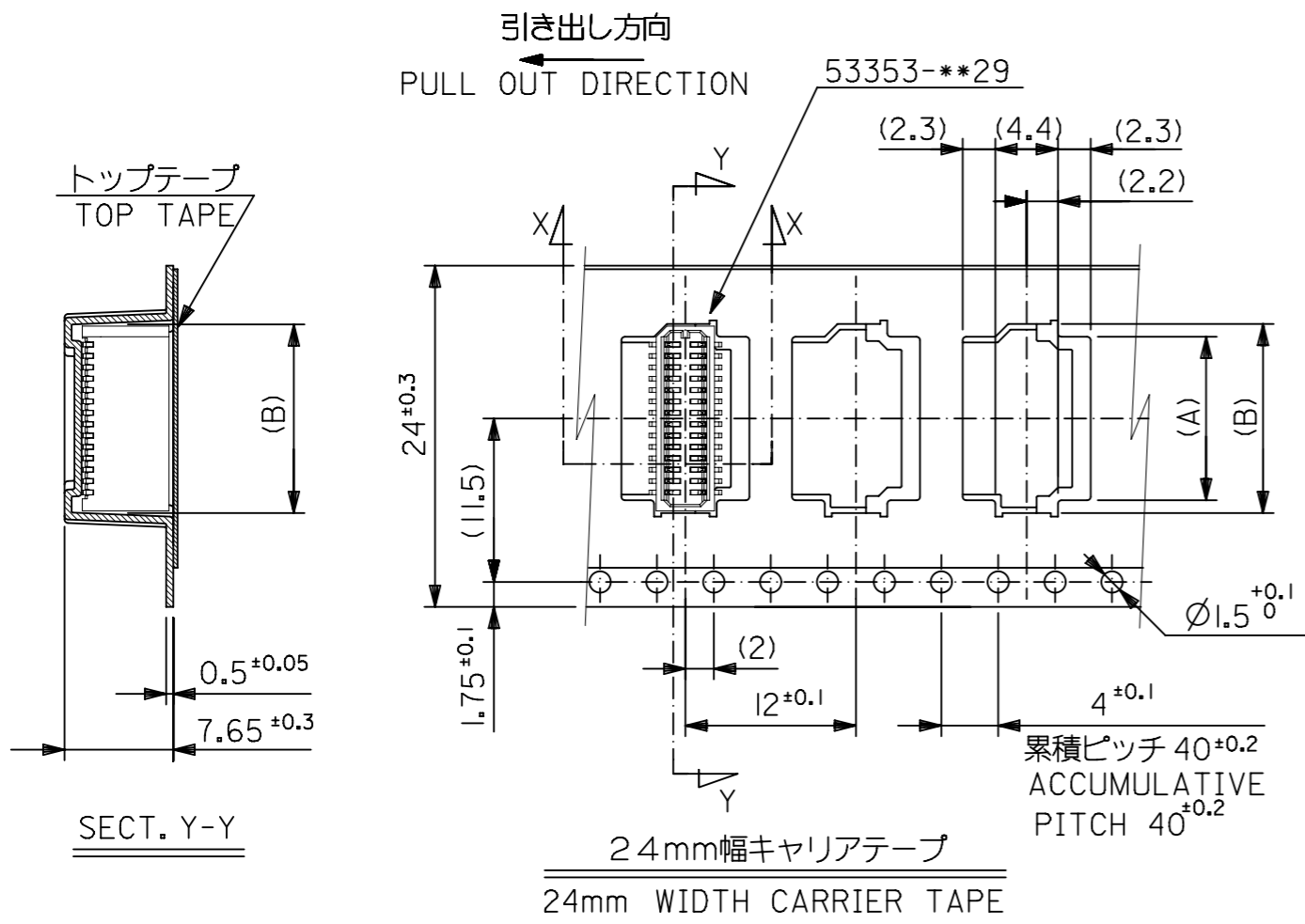
4. 材料 MATERIAL  
 キャリアテープ：ポリプロピレン (PP) CARRIER TAPE:POLYPROPYLENE  
 トップテープ：PET, PE, PEF TOP TAPE:PET,PE,PEF  
 リール：ポリスチレン (PS) REEL:POLYSTYRENE(PS)  
 <リサイクル材を含む> <RECYCLE MATERIAL CONTAINED>

5. 本製品は53353-\*\*\*91の鉛フリー品である。  
 THIS PRODUCT IS LEAD FREE OF 53353-\*\*\*91.

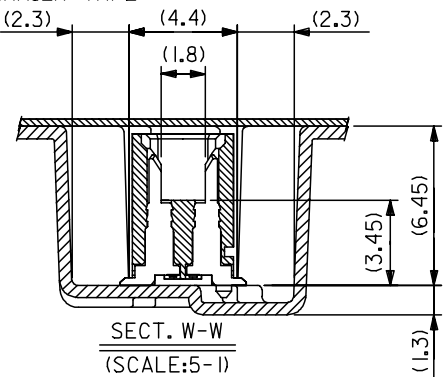
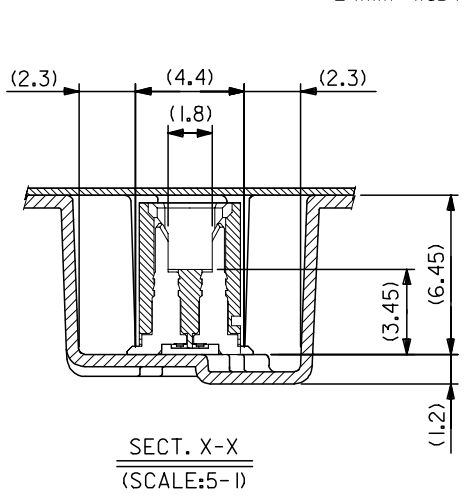
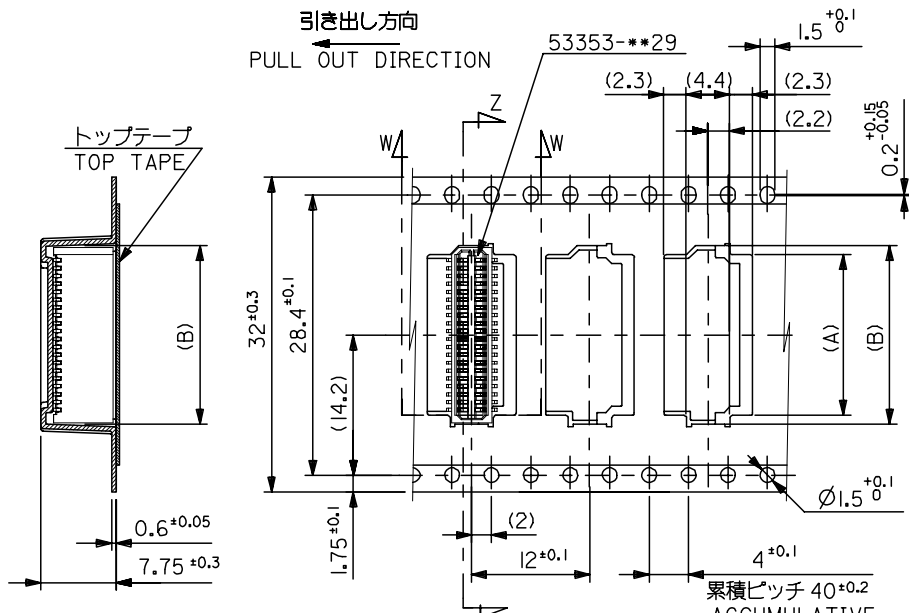
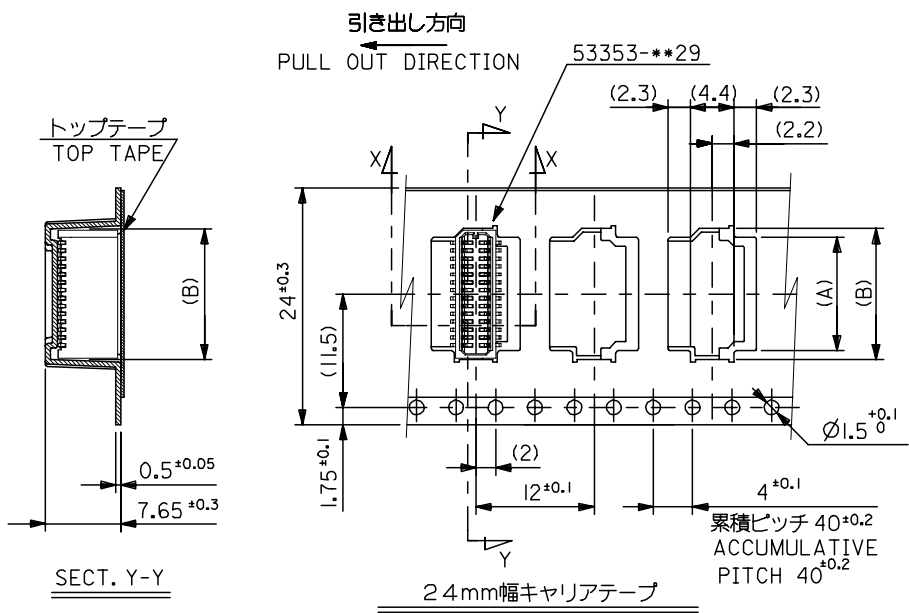
16	21.4	17.4	6.1	4.3	53353-1071	10
キャリアテープ幅 CARRIER TAPE WIDTH	D	C	(B)	(A)	MATERIAL NO.	極数 CIRCUIT

MODEL NO. 53353-\*\*\*71

THIS DRAWING CONTAINS INFORMATION THAT IS PROPRIETARY TO MOLEX ELECTRONIC TECHNOLOGIES, LLC AND SHOULD NOT BE USED WITHOUT WRITTEN PERMISSION							
DIMENSION UNITS	SCALE	CURRENT REV DESC: REMOVED OBSOLETE PART NUMBERS AS PER PCN#510812.					
mm	NTS						
GENERAL TOLERANCES (UNLESS SPECIFIED)							
ANGULAR TOL	± 3.0°	0.8 BTB CONN WAFER ASSY ST SMT WITHOUT BOSS EMBTP PKG -LEAD FREE-					
4 PLACES	± 0.2	PRODUCT CUSTOMER DRAWING					
3 PLACES	± 0.25	DOCUMENT NUMBER					
2 PLACES	± 0.3	DOC TYPE					
1 PLACE	±	DOC PART					
0 PLACES	±	REVISION					
DRAFT WHERE APPLICABLE MUST REMAIN WITHIN DIMENSIONS		THIRD ANGLE PROJECTION	DRAWING	SERIES	MATERIAL NUMBER	CUSTOMER	SHEET NUMBER
			A3-SIZE	53353	SEE CHART	GENERAL MARKET	1 OF 2



THIS DRAWING CONTAINS INFORMATION THAT IS PROPRIETARY TO MOLEX ELECTRONIC TECHNOLOGIES, LLC AND SHOULD NOT BE USED WITHOUT WRITTEN PERMISSION		MODEL NO. 53353-***71	
DIMENSION UNITS <b>mm</b>	SCALE <b>NTS</b>	CURRENT REV DESC: REMOVED OBSOLETE PART NUMBERS AS PER PCN#510812.	
GENERAL TOLERANCES (UNLESS SPECIFIED)		<b>molex</b>	
ANGULAR TOL ± 3.0°			
4 PLACES ± 0.2	EC NO: 728320	0.8 BTB CONN WAFER ASSY ST SMT WITHOUT BOSS EMBTP PKG -LEAD FREE-	
3 PLACES ± 0.25	DRWN: LIKITV 2022/11/10	PRODUCT CUSTOMER DRAWING	
2 PLACES ± 0.3	CHK'D: GGA 2022/12/12	DOCUMENT NUMBER	
1 PLACE ±	APPR: GGA 2022/12/12	DOC TYPE DOC PART REVISION	
0 PLACES ±	INITIAL REVISION:	SD-53353-004 PSD 001 A1	
DRAFT WHERE APPLICABLE MUST REMAIN WITHIN DIMENSIONS	DRWN: YWADA 2004/03/05	MATERIAL NUMBER	
	APPR: MSASAO 2004/03/11	CUSTOMER	
	THIRD ANGLE PROJECTION	SHEET NUMBER	
	DRAWING	SEE CHART GENERAL MARKET 2 OF 2	
	SERIES	A3-SIZE 53353	



32mm幅キャリアテープ  
32mm WIDTH CARRIER TAPE

32	37.4	33.4	18.1	16.3	53353-4071	40
			16.5	14.7	53353-3671	36
24	29.4	25.4	14.1	12.3	53353-3071	30
			13.3	11.5	53353-2871	28
			10.9	9.1	53353-2271	22
			10.1	8.3	53353-2071	20
			9.3	7.5	53353-1871	18
キャリアテープ幅 CARRIER TAPE WIDTH	D	C	(B)	(A)	MATERIAL NO.	極数 CIRCUIT

REVISED EC NO: J2005-2159 DRAWN: KENSUJUKI CHKD: NUKITA APPR: NUKITA 2005/01/26 2005/01/26 2005/02/02	GENERAL TOLERANCES (UNLESS SPECIFIED)		DIMENSION STYLE	SCALE	DESIGN UNITS	THIRD ANGLE PROJECTION	
	10 UNDER ±0.2		MM ONLY	---	METRIC	☉ □	
	10 OVER 30 UNDER ±0.25		DRAWN BY	DATE	TITLE		
	30 OVER ±0.3		YWADA	2004/03/04	0.8 BTB CONN WAFER ASSY ST SMT WITHOUT BOSS EMBTP PKG -LEAD FREE-		
	ANGULAR ±3°		CHECKED BY	DATE	MOLEX INCORPORATED		
DRAFT WHERE APPLICABLE MUST REMAIN WITHIN DIMENSIONS		MSASAO	2004/03/04	APPROVED BY		DATE	
		MSASAO	2004/03/04	MATERIAL NO.		DOCUMENT NO.	
		SEE CHART		SD-53353-004		SHEET NO. 2 OF 2	
THIS DRAWING CONTAINS INFORMATION THAT IS PROPRIETARY TO MOLEX INCORPORATED AND SHOULD NOT BE USED WITHOUT WRITTEN PERMISSION							