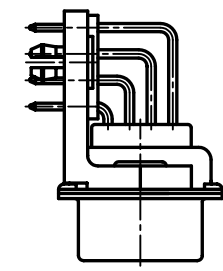
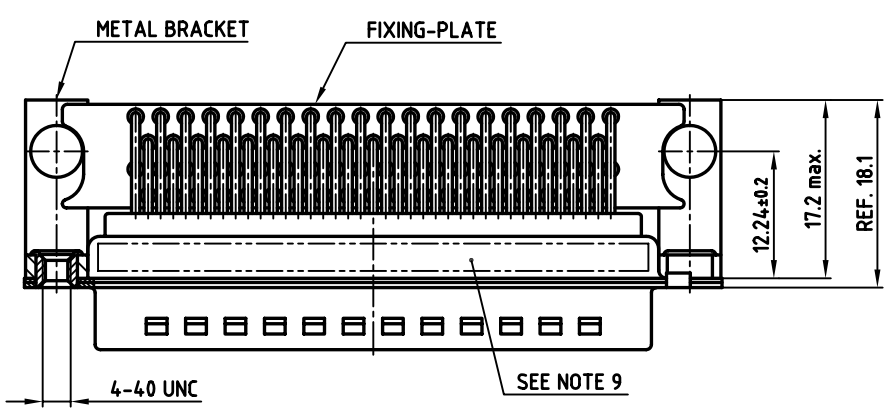
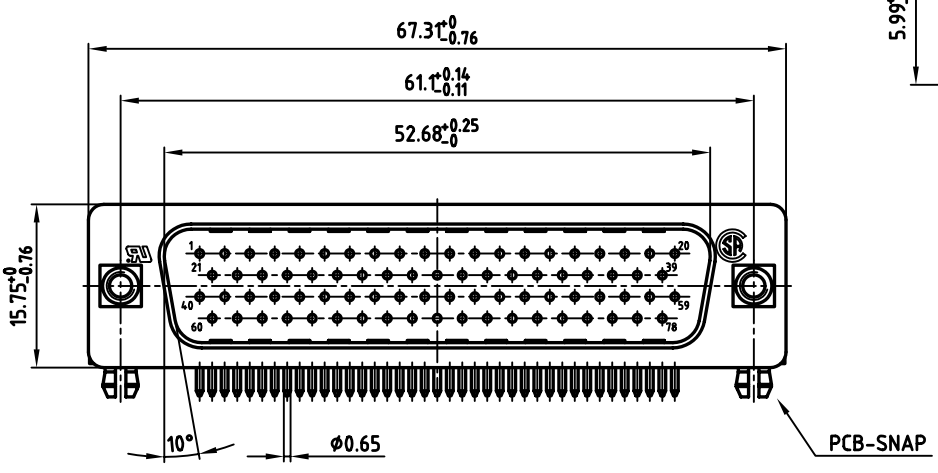
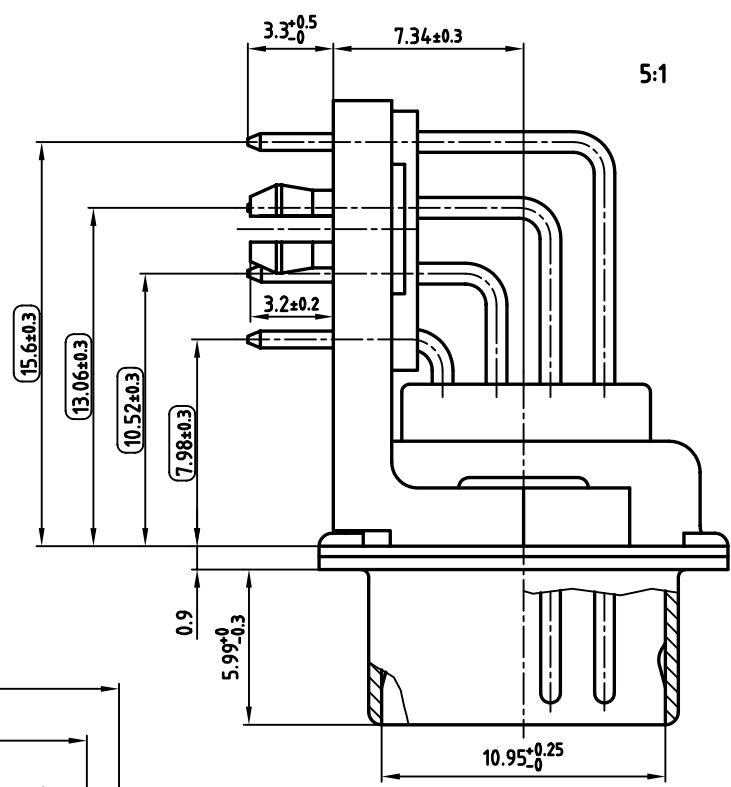


used for: D-SUB HD

**NOTES:**

1. METALSHELLS: STEEL; min. 320µ" TIN
2. INSULATORS+FIXING-PLATE: PBT GF UL 94 V-0, BLACK
3. CONTACTS: COPPER ALLOY  
PLATING: 8µ" HARD GOLD OVER min. 50µ" NICKEL
4. METAL BRACKET: STEEL; min. 320µ" TIN over 80µ" NICKEL
5. THREADED INSERT: COPPER ALLOY; min. 200µ" TIN over 80µ" NICKEL
6. PCB-SNAP: COPPER ALLOY; min. 200µ" TIN over 80µ" NICKEL  
PCB-HOLE:  $\phi 3.1 \pm 0.1$ ; PCB THICKNESS 1.6mm
7. P.C.B. HOLE DRILLINGS ON SHEET 2
8. MAXIMUM TORQUE VALUE FOR THREAD: 6" LBS
9. CONNECTOR IS PART MARKED: 163A18219X CONEC ABC
10.    = CHECK DIMENSION



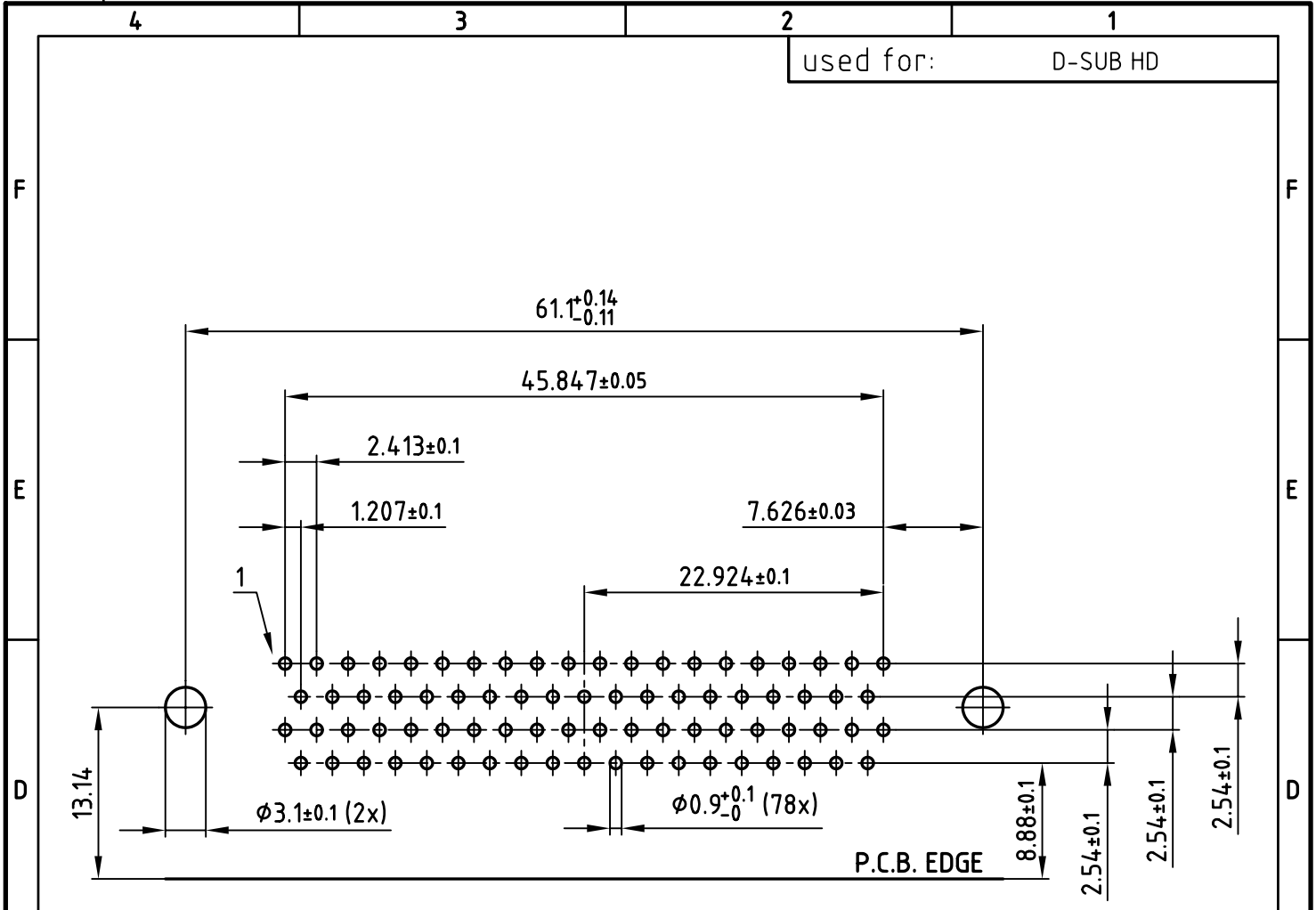
Directive 2002/95/EC  
 „RoHS“  
 Compliant

APPROVAL * FREIGABE * DEBLOCAGE * AUTORIZACION * APPROVAL	
CUSTOMER APPROVAL DATE:	
NAME:	TITLE:
COMPANY NAME:	
APPROVAL * FREIGABE * DEBLOCAGE * AUTORIZACION * APPROVAL	

THIS DRAWING MAY NOT BE COPIED OR REPRODUCED IN ANY WAY, AND MAY NOT BE PASSED ON TO A THIRD PARTY, WITHOUT WRITTEN PERMISSION. OWNERSHIP AND COPYRIGHT OF CONEC Gmbh DO NOT ALTER CAD DRAWING BY HAND

rev.	description	date	name
a	Origin		

tolerance		dim. in mm	scale: 2:1 (5:1)														
material: SEE NOTES			material: SEE NOTES														
<table border="1" style="width: 100%; border-collapse: collapse;"> <tr> <th>2006</th> <th>date</th> <th>name</th> </tr> <tr> <td>drawn</td> <td>14.02.</td> <td>Lehmenkühler</td> </tr> <tr> <td>appd.</td> <td>14.02.</td> <td>Mickenbecker</td> </tr> <tr> <td colspan="3">norm. DIN 41652</td> </tr> <tr> <td colspan="3">d-old</td> </tr> </table>		2006	date	name	drawn	14.02.	Lehmenkühler	appd.	14.02.	Mickenbecker	norm. DIN 41652			d-old			title: D-SUB HD MALE 90° 78pos. 0.350inch threaded insert, metal bracket, fixing-plate, clip
2006	date	name															
drawn	14.02.	Lehmenkühler															
appd.	14.02.	Mickenbecker															
norm. DIN 41652																	
d-old																	
dwg no: AutoCAD 2004		DIN-A															
part no: 163A18219X		3	sh:1/2														



APPROVAL # FREIGABE # DEBLOCAGE # AUTOR/ZACION # APPROVAL

CUSTOMER APPROVAL DATE:

NAME: TITLE:

COMPANY NAME:

APPROVAL # FREIGABE # DEBLOCAGE # AUTOR/ZACION # APPROVAL

THIS DRAWING MAY NOT BE COPIED OR REPRODUCED IN ANY WAY, AND MAY NOT BE PASSED ON TO A THIRD PARTY WITHOUT WRITTEN PERMISSION. OWNERSHIP AND COPYRIGHT OF CONEC GmbH DO NOT ALTER CAD DRAWING BY HAND

tolerance				scale:	2:1
				material:	SEE SHEET 1
2006	date	name		<b>P.C.B. HOLE DRILLINGS</b> D-SUB HD MALE 90° 78pos. 0.350inch threaded insert,metal bracket,fixing-plate,clip	
drawn	14.02.	Lehmenkühler			
appd.	14.02.	Mickenbecker			
norm	DIN 41652				
d-old					
a	Origin			dwg no:	AutoCAD 2004
rev.	description	date	name	DIN-A	
				16K2A1029	
				sh:2/2	
				part no:	SEE SHEET 1

A

A

4

3

2

1