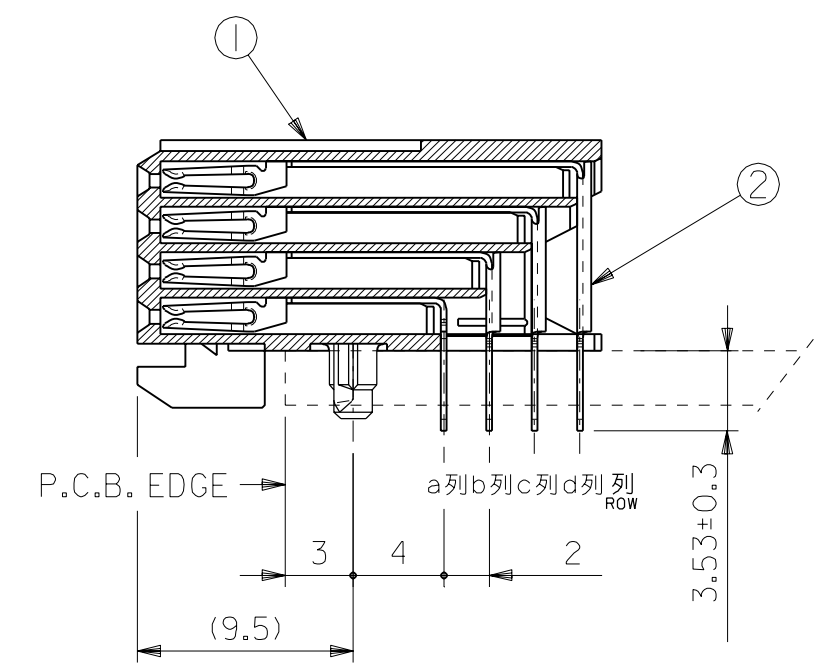
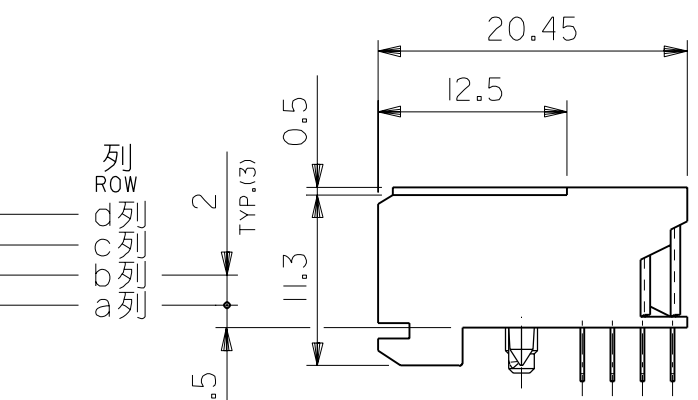
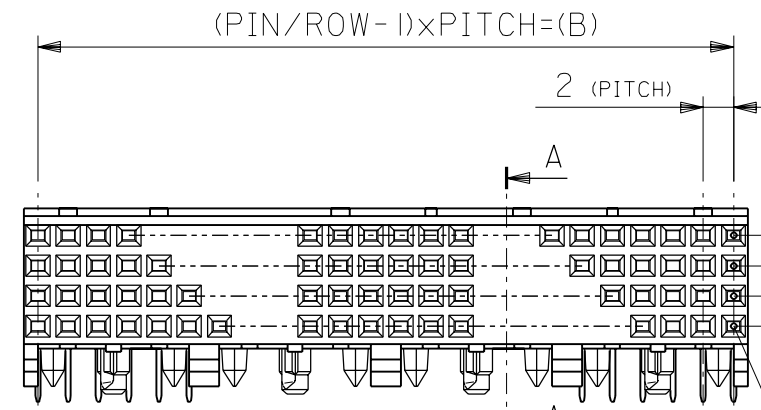
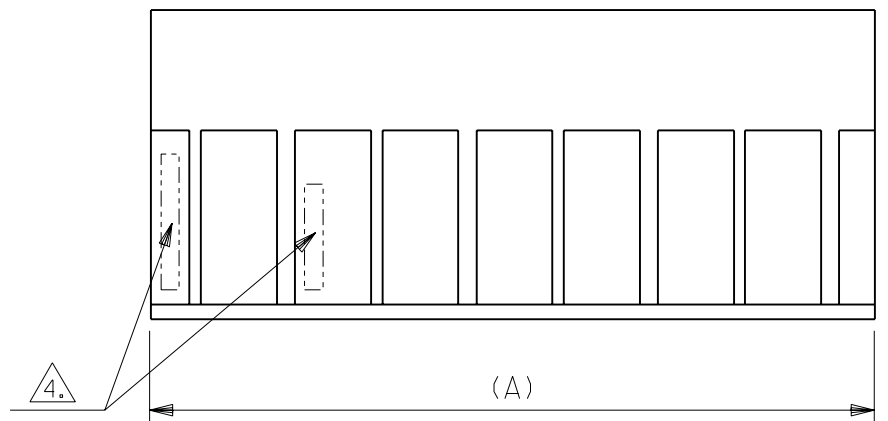
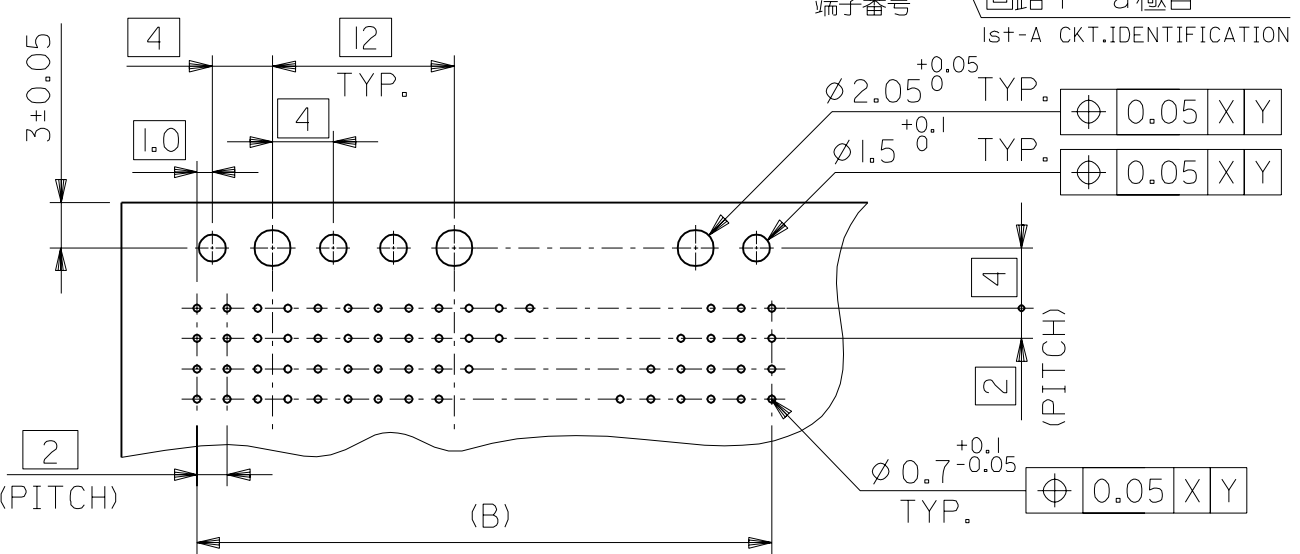


DWG. NO.  
SD-54867-004

番号 No.	部品 PART NAME	材質 MATERIAL	仕上げ FINISH
①	リセプタクル ハウジング RECEPTACLE HOUSING	液晶ポリマー、ガラス充填、自然色(白)、UL94V-0 LIQUID CRYSTAL POLYMER, GLASS FILLED, NATURAL(WHITE), UL94V-0	—#—
②	リセプタクル ターミナル RECEPTACLE TERMINAL	リン青銅 PHOSPHOR BRONZE	△1.



A-A  
(NON-SCALE)



RECOMMENDED P.C.B. LAYOUT (COMPONENT SIDE)

- 注記  
NOTE :
- △1. ターミナル めっき仕様  
TERMINAL PLATING  
金めっき: 0.38 μm MIN. (接点部)  
GOLD: 0.38 μm MIN. (CONTACT AREA)  
半田めっき: 1.0 μm MIN. (半田付け部)  
TIN-LEAD: 1.0 μm MIN. (SOLDER AREA)  
ニッケルメッキ: 2.0 μm MIN. (下地めっき)  
NICKEL: 2.0 μm MIN. (UNDER PLATING)
  - 2. 推奨基板厚: t=2.4mm  
RECOMMENDED P.C.B. THICKNESS :
  - 3. 適合プラグ: 53901-\*\*\*4, 55222-\*\*\*4, 55089-\*\*\*4  
APPLICABLE PLUG :
  - △4. 製品番号及びロットナンバー  
MATERIAL NO. & LOT NO.

94	95.98	54867-1920	192
46	47.98	54867-0960	96
22	23.98	54867-0480	48
10	11.98	54867-0240	24
B	A	MATERIAL NO.	PIN

DO NOT SCALE DRAWING

DRAWING INFORMATION				MATERIAL		GENERAL TOLERANCES:		SCALE		DESIGN UNITS		PROJECTION		TITLE	
DRW. NO.	CH'K.	APPR.	REV	材料	仕上げ	10 UNDER	±0.2	2-1	mm	mm	2D	2D	"MFB" B/B CONN. (FB+) REC. ASS'Y 4ROWS DIP		
DRW. NO.	CH'K.	APPR.	DESCRIPTION	適用電線範囲	被覆外径	10 OVER	±0.25		INCH	INCH	3D	3D	MOLEX INCORPORATED		
DRW. NO.	CH'K.	APPR.	INS. RANGE	適用電線範囲	被覆外径	30 UNDER	±0.3						DRAWING NO. SD-54867-004		SHEET NO. 1 OF 1
DRW. NO.	CH'K.	APPR.	WIRE RANGE	適用電線範囲	被覆外径	30 OVER	±0.3						MATERIAL NO. SEE TABLE		SIZE B
DRW. NO.	CH'K.	APPR.	ANGLE	適用電線範囲	被覆外径	ANGLE	±3°						DRAWING NO. SD-54867-004		SIZE B
THIS DRAWING CONTAINS INFORMATION THAT IS PROPRIETARY TO MOLEX INCORPORATED AND SHOULD NOT BE USED WITHOUT WRITTEN PERMISSION.															

SD-54867-004.S01