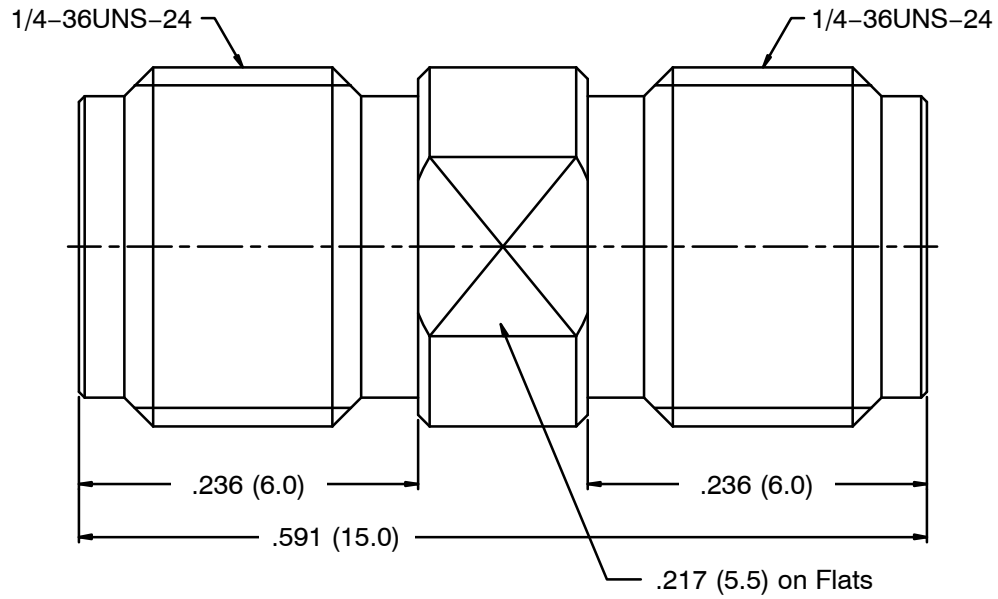


1 2 3 4 5 6 7 8

F
E
D
C
B
A

F
E
D
C
B
A



NOTES: Finish (Plating Thickness in Micro-inches)
 1. Brass
 2. Thin Gold over Nickel Pl. 50 Min. Thick over Copper Pl. 50 Min. Thick
 3. Beryllium Copper
 4. Gold Pl. 3 Min Thick over Nickel Pl. 50 Min. Thick over Copper Pl. 50 Min. Thick
 5. Teflon

RoHS Compliant

Dimensions are in Inches			Part No.		<h1>NTE Electronics</h1>	
Unless Otherwise Specified Tolerances			Approved	Date		
0.5-6 = ±0.2			Checked	Date		
6-30 = ±0.4			Drawn	Date		
30-120 = ±0.6					Title	
120-315 = ±1					SMA Jack to Jack Adapter	
315-1000 = ±1.6					Drawing No.	
1000-2000 = ±2.4					06-S014	
No.	Description	Material	Finish	Q'ty	Drawing No.	File No.

3	Contact Pin	Note	Note 4	1	
2	Insulator	Note 5	Natural	2	
1	Body	Note 1	Note 2	1	

1 2 3 4 5 6 7 8