



NEVALO SSL System

CN58 LED Light Module (LLM)

7 LED, 1000mA, 4000 CCT

Features

- › Inter-changeable light modules and optics
- › 1520 lumens in 000K color temperature
- › 18, 25 and 45 degree optics
- › Mechanically keyed and color coded interconnect for easy installation
- › Protection with NEVALO driver
 - › Thermal shutdown
 - › Short circuit
 - › Input surge voltage
 - › Over voltage
 - › Over current
- › Lifetime: 50,000 hours minimum
- › Integrated thermal pad
- › Dry and damp location compatible
- › Accepts future and improved LEDs and optics
- › 5 year warranty with NEVALO system

The NEVALO CN58 LED Light Module (LLM) offers plug-and-play versatility for flexibility, performance, and speed to market in a multi-lumen, energy efficient package. It is uniquely designed to allow inter-changeability by the lighting OEM designer to select between multiple lumen outputs, color temperatures, CRIs and beam distributions in the same package. Designed with thermal and electrical protection and when used with the NEVALO SSL System the CN58 LLM comes with a 5 year warranty.

APPLICATIONS

- › Residential and Light Commercial
- › Downlights
- › Track and Spots

MECHANICAL CONSTRUCTION

Base Housing: Glass Filled PBT - White

Thermal Pad: Silicone

LED Board: Aluminum clad PCB

Washer: Steel, Zinc Plated

Screws: Steel, Zinc Plated

Optic TIR: Optical grade acrylic

Top Ring: Glass Filled PBT - White

Compression Ring: Urethane

ELECTRICAL CHARACTERISTICS

| Component | Material |
|-------------------------|----------|
| Maximum Forward Voltage | 24 Volts |
| Maximum Forward Current | 1000 mA |

ENVIRONMENTAL

Storage Temperature: -40°C to 85°C

Operating Temperature: -20°C to 85°C

Humidity: 5-85% non-condensing

ROHS Compliant: Yes

ORDERING INFORMATION

| CCT (1) (K) | LLM Lumen (lm) Typ/ includes Optics Tc=60° C | LLM Lumen (lm) Typ/ includes Optics Tc=25° C | CRI | Color Consistency SDCM | Drive Current | LLM Efficacy (2) (lm/W) Typ/ includes Optics Tc=25° C | NEVALO (3) System Budget | Beam Distribution Angle (degrees) | Part Number |
|----------------|--|--|-----|------------------------------|------------------|---|--------------------------------|--|----------------|
| 4000 | 1400 | 1520 | 75 | 4 | 1000mA | 63 | 24 | Spot 18° | 1-2154193-1 |
| 4000 | 1400 | 1520 | 75 | 4 | 1000mA | 63 | 24 | Narrow Flood 25° | 1-2154193-2 |
| 4000 | 1400 | 1520 | 75 | 4 | 1000mA | 63 | 24 | Flood 45° | 1-2154193-3 |

(1) CCT Tolerance: 3985K ± 165K

(2) Individual results may vary from the typical values.

(3) System Budget is a unique NEVALO SSL system feature that allows the appropriate LED Light Module (LLM) loading to the driver. Green = 1000mA and matches color coding on driver.

nevalo.com
te.com

© 2011 Tyco Electronics Corporation. All Rights Reserved.
7-1773459-4 CIS PDF 03/2011

NEVALO, TE (logo) and TE Connectivity are trademarks of the TE Connectivity group of companies and its licensors. Other products, logos, and company names mentioned herein may be trademarks of their respective owners.



NEVALO SSL System

CN58 LED Light Module (LLM)

7 LED, 1000mA, 4000 CCT

APPROVALS

| Parameter | Standard |
|----------------------|-------------------------------------|
| USA Safety | UL 8750 Recognized (pending) |
| International Safety | CE mark to IEC 62031:2008 (pending) |

DOCUMENTS

| Click for link to document | |
|----------------------------|---|
| Product Specification | 108-2451 |
| Application Specification | 114-13293 |
| Instruction Sheet | 408-10422 |
| Customer Drawing | 1-2154193-1 1-2154193-2 1-2154193-3 2154172-4 2154175-4 |

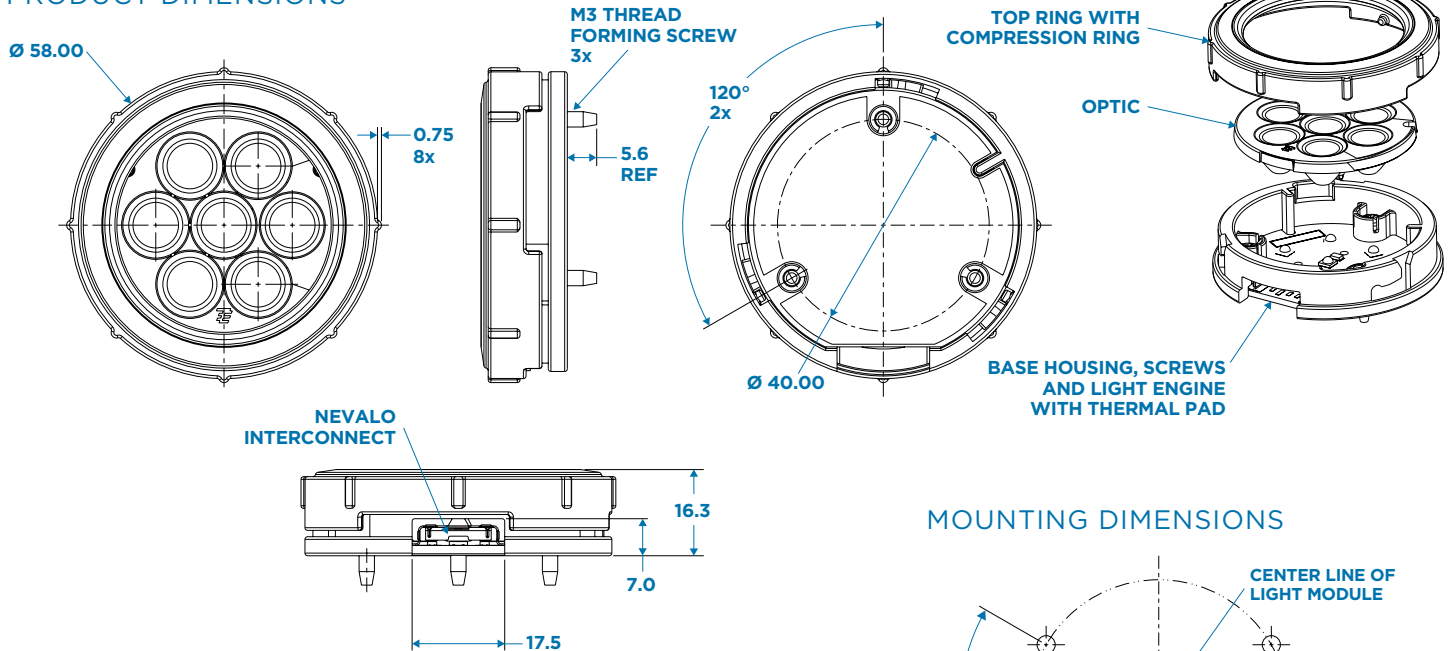
WIRING BUS

| Configuration | Length | Part Number |
|------------------------------|--------|-------------|
| Straight to Straight | 300mm | 2154172-4 |
| Straight to Right Angle Down | 300mm | 2154175-4 |

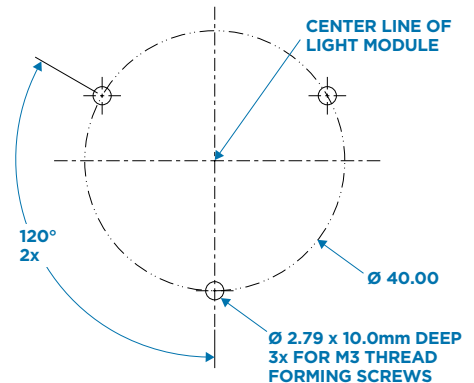
Use a factory assembled wiring bus to connect driver to LLM or build your own at the [online configurator](#)



PRODUCT DIMENSIONS



MOUNTING DIMENSIONS



DRILL TEMPLATE KIT

Allows you to easily locate drill hole positions to attach LED light modules (LLM) to the light fixture.



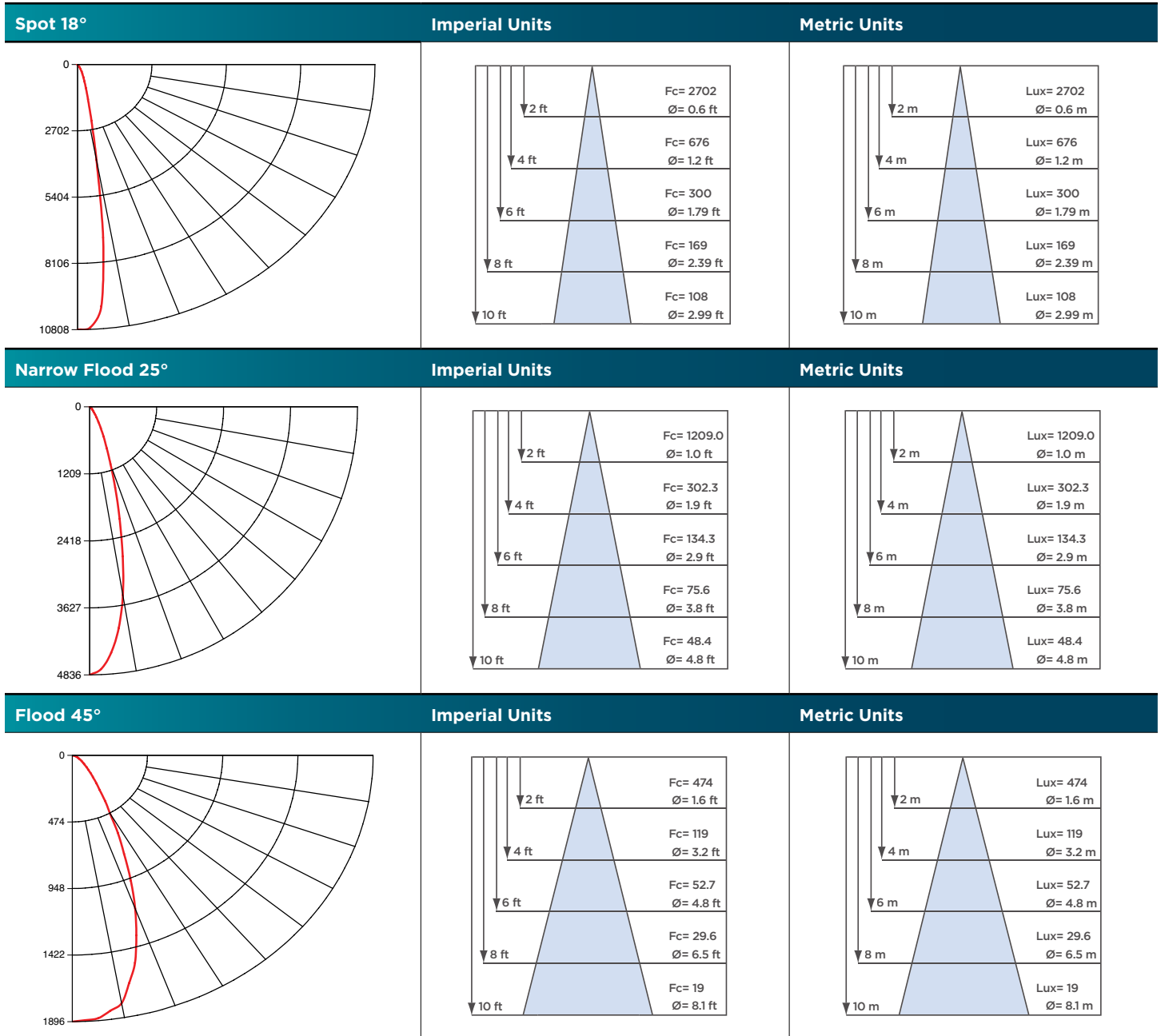
[nevalo.com](#)
[te.com](#)

NEVALO SSL System

CN58 LED Light Module (LLM)

7 LED, 1000mA, 4000 CCT

PHOTOMETRICS: 4000K CCT



nevalo.com
te.com



NEVALO SSL System

CN58 LED Light Module (LLM)

7 LED, 1000mA, 4000 CCT

THERMAL LLM

Each LLM has a corresponding Thermal LLM which when placed in a lighting application can be connected to the NEVALO Thermal Test instrument. This unique accessory allows for an immediate thermal profile of the final product.





Thermal LLM board shown

| LLM Part Number | Thermal LLM Part Number | Thermal Test Instrument Part Number |
|-----------------|-------------------------|-------------------------------------|
| 1-2154193-1 | 1-2154213-1 | 2154265-1 |
| 1-2154193-2 | | |
| 1-2154193-3 | | |

THERMAL TEST INSTRUMENT

A complementary test instrument is used to confirm the thermal protection and performance of every LLM in your fixture. The evaluation tool includes Break Out Box, Thermal Monitor Testing Software, and Interconnect Cables.



| NEVALO SSL Thermal Ratings | LLM Tcase | | |
|------------------------------|------------|--|---|
| LED Driver Shutdown | 85 - 105°C |  |  |
| Thermal Tool : Red | > 85°C | | |
| Thermal Tool : Yellow | 75 - 85°C | | |
| Thermal Tool : Green | < 75°C | | |
| Thermal Dot | 88°C | | |

nevalo.com
te.com